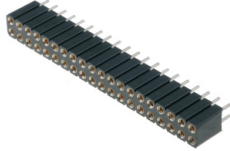


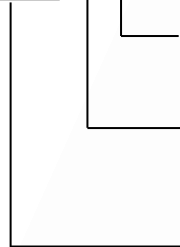
PCB Mounting Precision Socket, Height 7 mm

Specification:



- 1) Contact Resistance: 20mΩ max. initial.
- 2) Dielectric Withstanding Voltage: 500V AC(rms) for 1 minute
- 3) Insulation Resistance: 1000MΩ min.
- 4) Pin Plating: Tin 150u"
- 5) Clip plating: Gold Flash
- 6) Pin length: 10.00 mm
- 7) Operating Temperature: 0°C ~ +85°C
- 8) Storage Temperature: -20°C ~ +70°C

ZL307-1x5



No. of Contacts in Row:

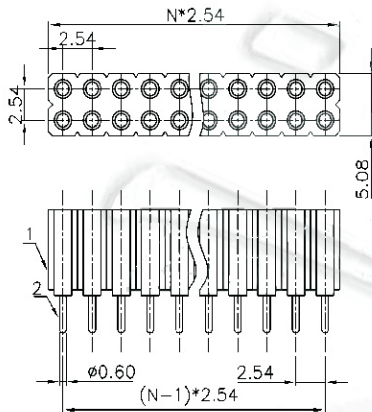
N = 1...40

Row:

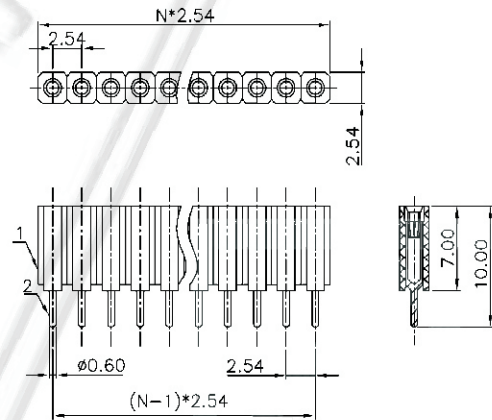
1 – single

2 - dual

PCB Mounting Precision Socket, Height 7 mm



DUAL ROWS



SINGLE ROW