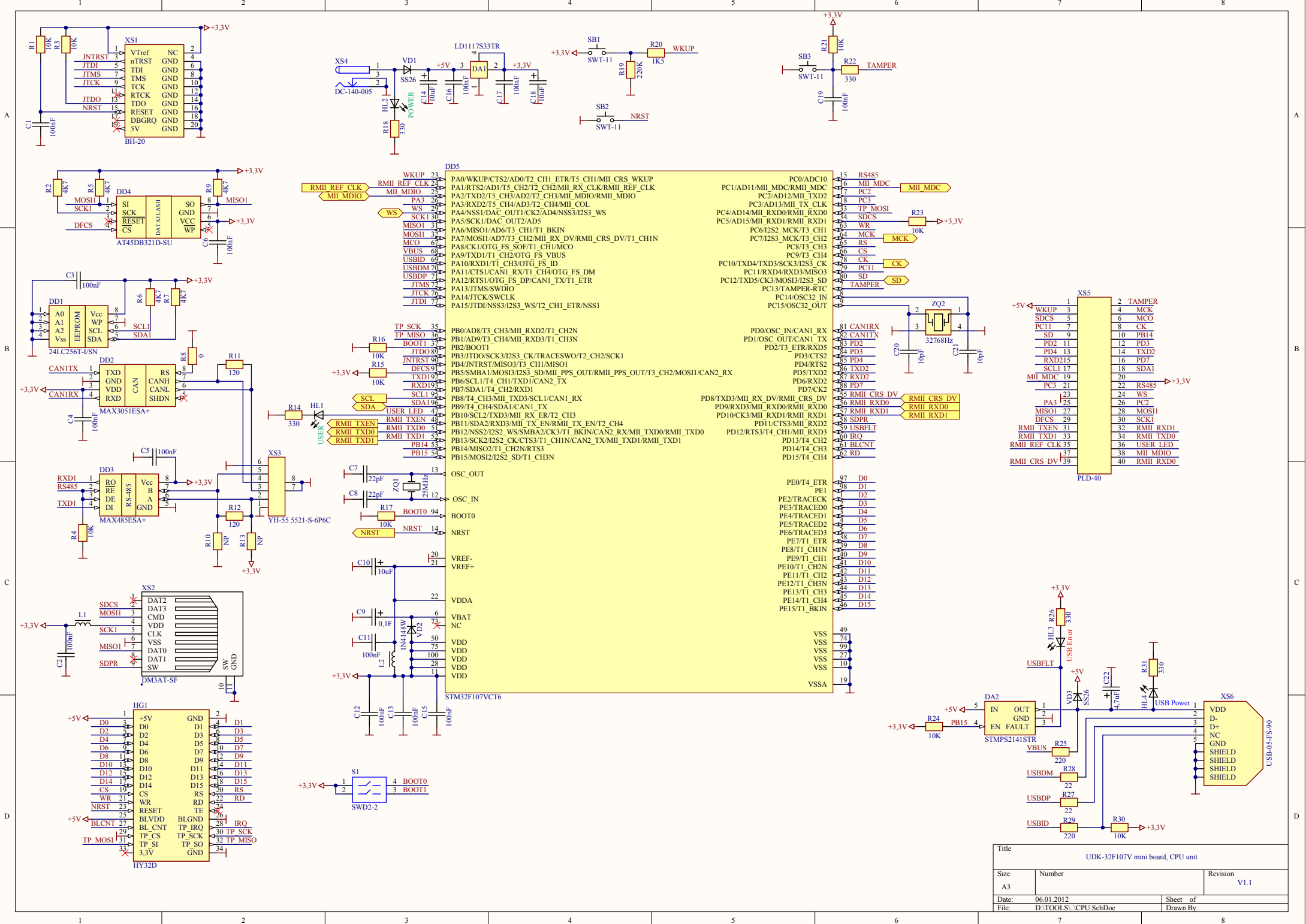
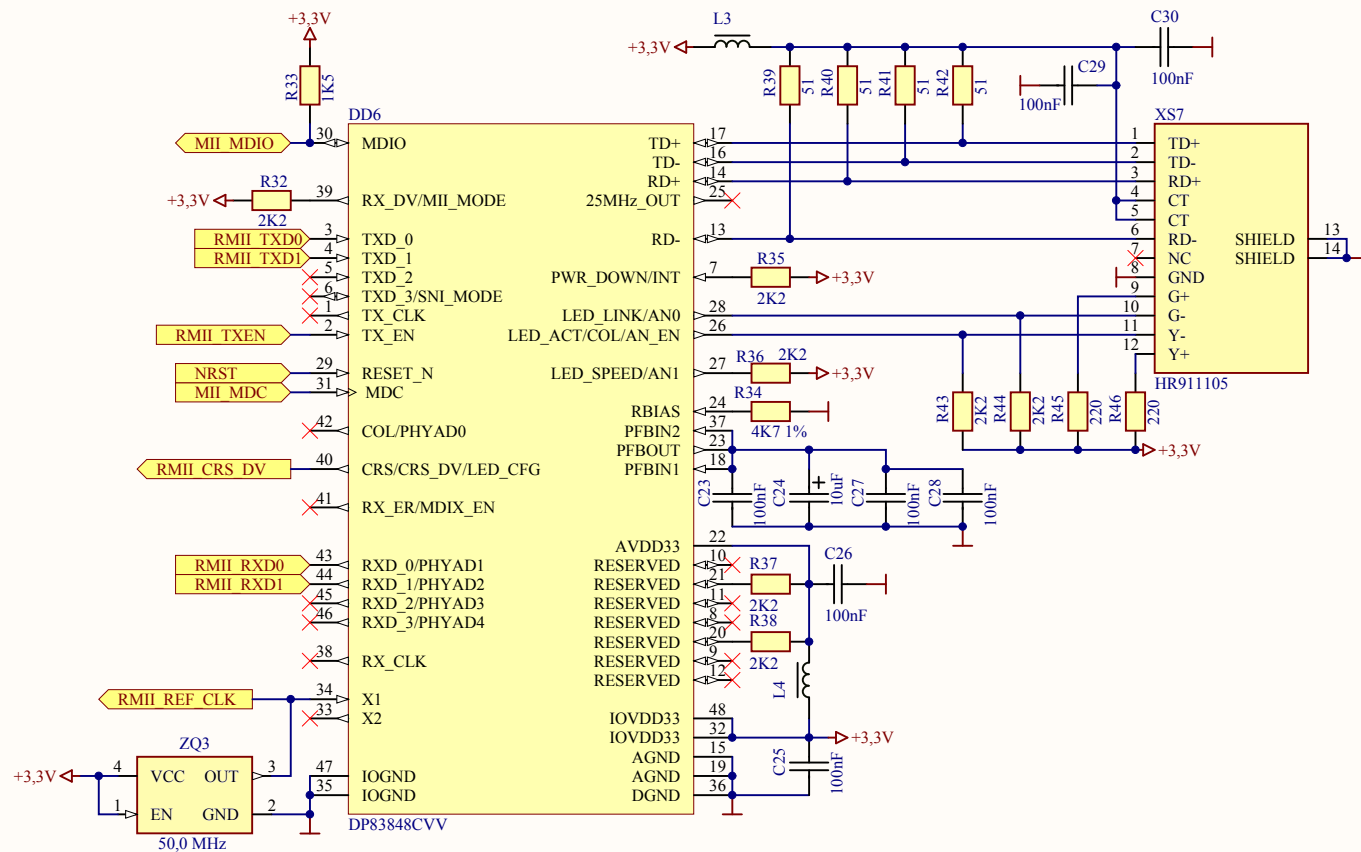


Title		
UDK-32F107V mini board, audio DAC unit		
Size	Number	Revision
A4		V1.1
Date:	06.01.2012	Sheet 4 of 4
File:	D:\TOOLS\...\Audio.SchDoc	Drawn By:



Title			UDK-32F107V mini board, CPU unit		
Size	A3	Number	06.01.2012	Revision	V1.1
File:	D:\TOOL\S...CPU\SchDoc	Sheet of	1	Drawn By:	



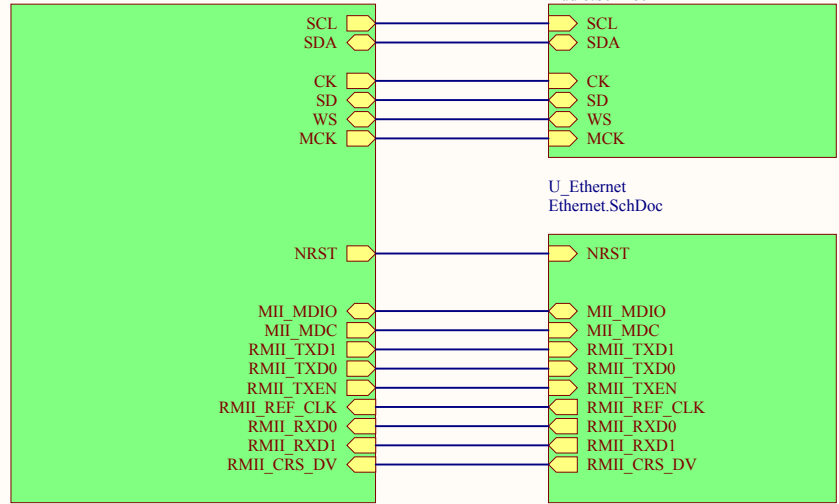
Title		
UDK-32F107V mini board, ETHERNET PHY unit		
Size	Number	Revision
A4		V1.1
Date:	06.01.2012	Sheet of
File:	D:\TOOLS\...\Ethernet.SchDoc	Drawn By:

- RP1
Reper
- RP2
Reper
- RP3
Reper
- RP4
Reper
- RP5
Reper
- RP6
Reper
- RP7
Reper
- RP8
Reper
- RP9
Reper
- RP10
Reper

U_CPU

CPU.SchDoc

U_Audio
Audio.SchDoc



Title		
UDK-32F107V mini board		
Size	Number	Revision
A4		V1.1
Date:	06.01.2012	Sheet of
File:	D:\TOOLS\...\UDK-32F107V.SchDoc	Drawn By: