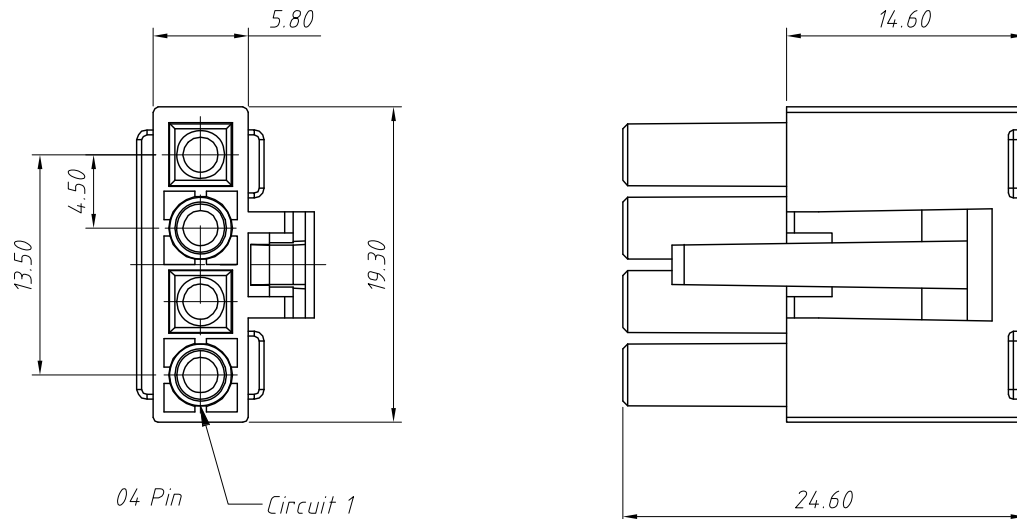
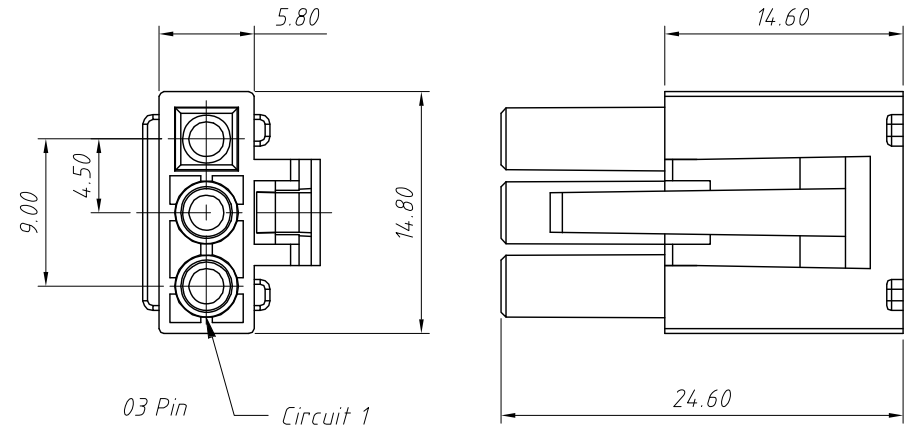
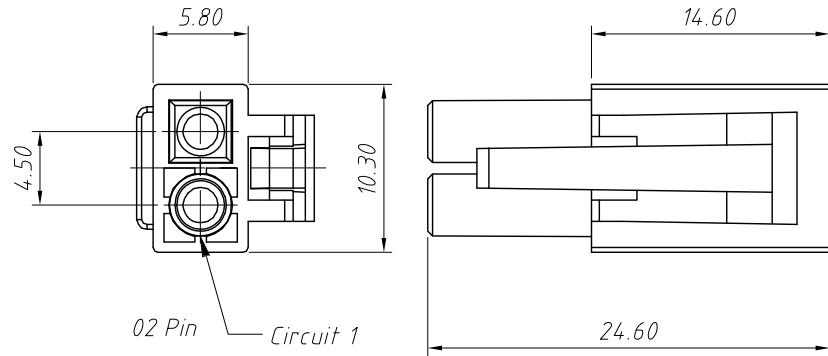


RoHS Compliance



Material:
Housing: PA66, UL 94 V-0

Electrical Characteristics:
Rated Current: 10.0AMP
Voltage rating: 300V AC, DC
Temperature range: -25°C ~ +85°C
Insulator Resistance: 1000MΩ Min
Withstanding Voltage: 1500V AC/minute
Contact Resistance: 7mΩ Max

Order Information:

L-KLS1-XM1-4.50-1×XX-MH

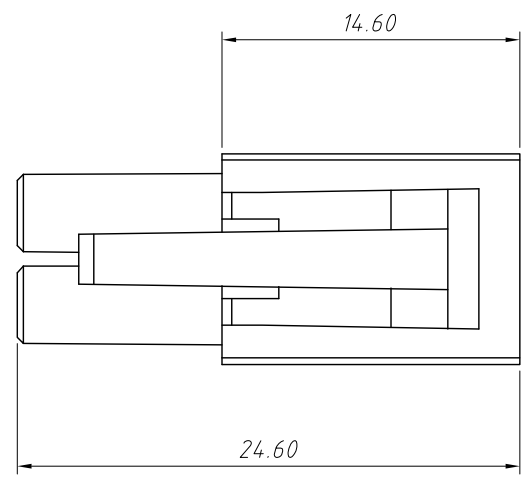
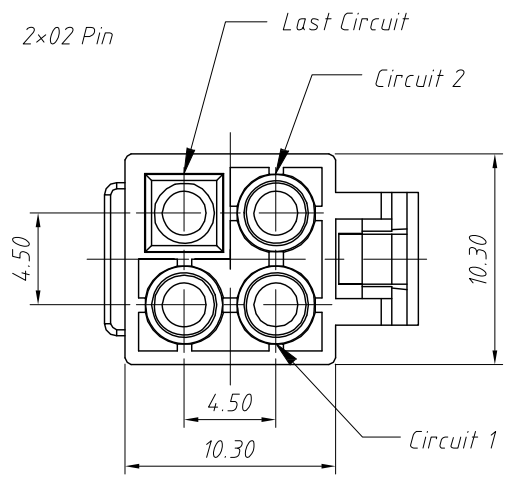
L: RoHS
Pitch: 4.50mm
Row: 1-Single layer
2-Double layer
3-Three layer
XX-No. of 02~04 pins
Type:
FH-Female Hosing MH-Male Hosing
FT-Female Terminal MT-Male Terminal

ANGLE TOLERANCE	PROJECTION	Description:
±3°		4.50mm Pitch EL 4501 4502 Wire To Wire Connector
GENERAL TOLERANCE	UNITS	mm
x.x ±0.30	SHEET SIZE	A4
x.xx ±0.20	Draw:	Daniel 2021-01-11
x.xxx ±0.10	Check:	Daniel 2021-01-11



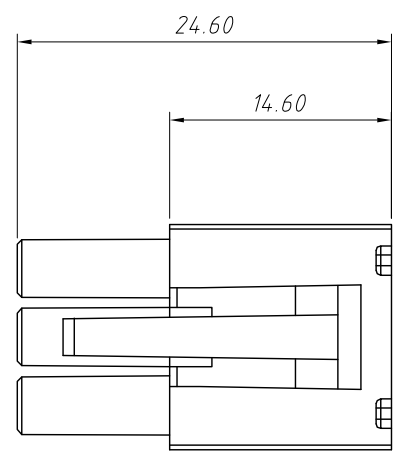
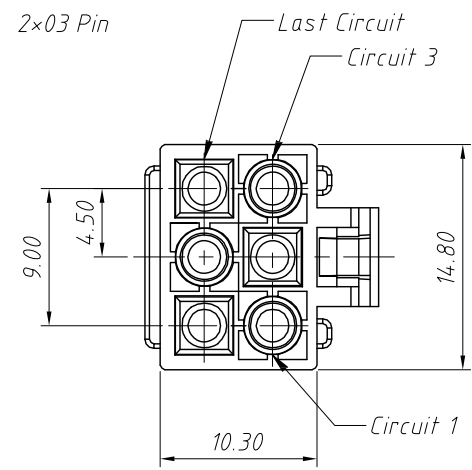
NingBo KLS ELECTRONIC CO.,L TD.

1
RoHS Compliance



Material:
Housing:PA66,UL94V-0

Electrical Characteristics:
Rated Current:10.0AMP
Voltage rating:300V AC,DC
Temperature range:-25°C ~ + 85°C
Insulator Resistance:1000M Ω Min
Withstanding Voltage:1500V AC/minute
Contact Resistance:7m Ω Max

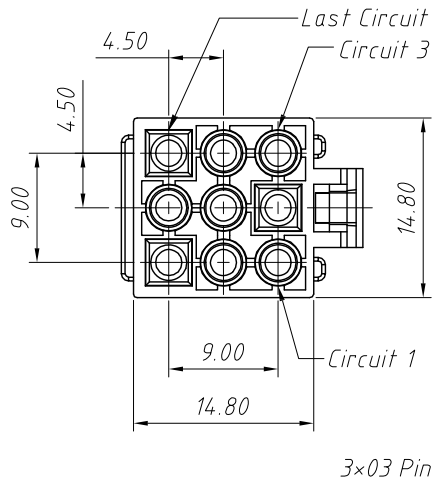


Order Information:
L-KLS1-XM1-4.50-2 \times XX-MH

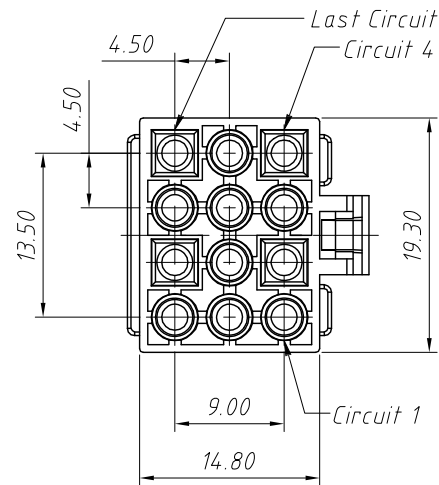
L: RoHS
Pitch:4.50mm
Row:1-Single layer
2-Double layer
3-Three layer
XX-No. of 02~03pins
Type:
FH-Female Hosing MH-Male Hosing
FT-Female Terminal MT-Male Terminal

ANGLE TOLERANCE	PROJECTION	Description:
$\pm 3^\circ$		4.50mm Pitch EL 4501 4502 Wire To Wire Connector
GENERAL TOLERANCE	UNITS	mm
x.x ± 0.30	SHEET SIZE	A4
x.xx ± 0.20	Draw:	Daniel 2021-01-11
x.xxx ± 0.10	Check:	Daniel 2021-01-11
		NingBo KLS ELECTRONIC CO.,L TD.

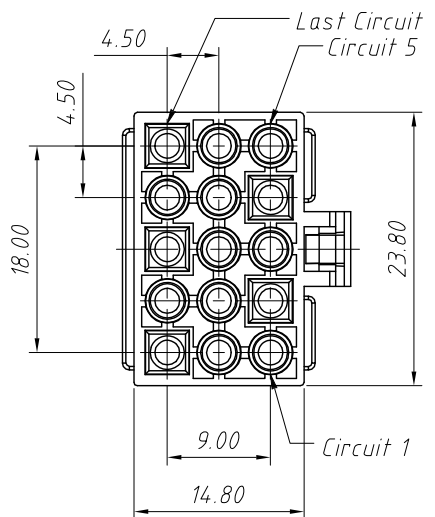
1 RoHS Compliance



3x03 Pin



3x04 Pin



3x05 Pin

Material:

Housing: PA66, UL 94V-0

Electrical Characteristics:

Rated Current: 10.0AMP

Voltage rating: 300V AC, DC

Temperature range: -25°C ~ +85°C

Insulator Resistance: 1000MΩ Min

Withstanding Voltage: 1500V AC/minute

Contact Resistance: 7mΩ Max

Order Information:

L-KLS1-XM1-4.50-3×XX-MH

L: RoHS

Pitch: 4.50mm

Row: 1-Single layer

2-Double layer

3-Three layer

XX-No. of 03~05 pins

Type:

FH-Female Hosing

MH-Male Hosing

FT-Female Terminal

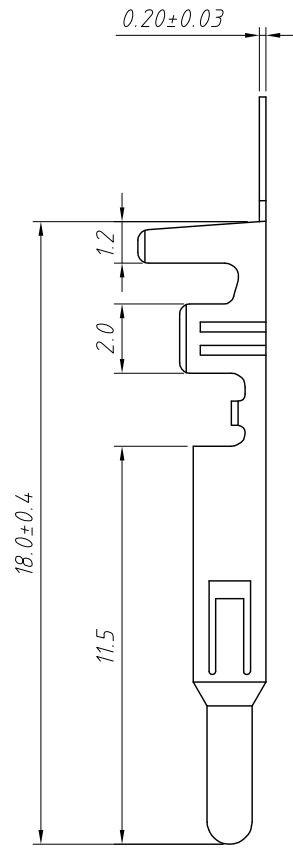
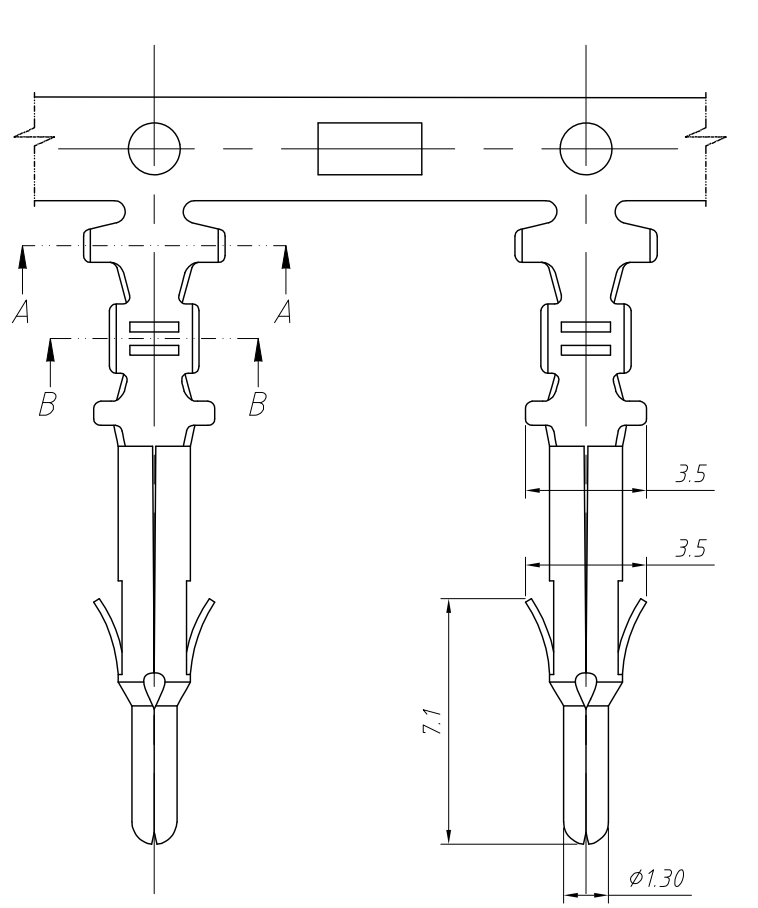
MT-Male Terminal

ANGLE TOLERANCE	PROJECTION	Description:
±3°		4.50mm Pitch EL 4501 4502 Wire To Wire Connector
GENERAL TOLERANCE	UNITS	mm
x.x ±0.30	SHEET SIZE	A4
x.xx ±0.20	Draw:	Daniel 2021-01-11
x.xxx ±0.10	Check:	Daniel 2021-01-11



NingBo KLS ELECTRONIC CO.,LTD.

1
RoHS Compliance



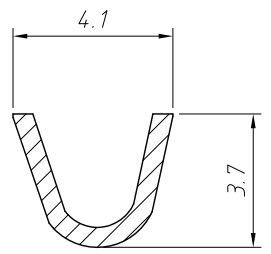
Material:
 Terminal: Phosphor Bronze
 Plating: Tin plated or Nickel
 Applicable wires: AWG #20 ~ # 26
 Insulation O.D.: 2.7mm
 Qty/reel: 4000 pcs

Electrical Characteristics:
 Rated Current: 10.0AMP
 Voltage rating: 300V AC, DC
 Temperature range: -25°C ~ + 85°C
 Insulator Resistance: 1000MΩ Min
 Withstanding Voltage: 1500V AC/minute
 Contact Resistance: 20mΩ Max

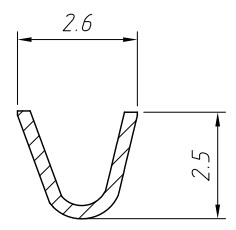
Order Information:
 L-KLS1-XM1-4.50-MT

L: RoHS
 Pitch: 4.50mm
 Type: _____

FH-Female Hosing MH-Male Hosing
 FT-Female Terminal MT-Male Terminal



A-A

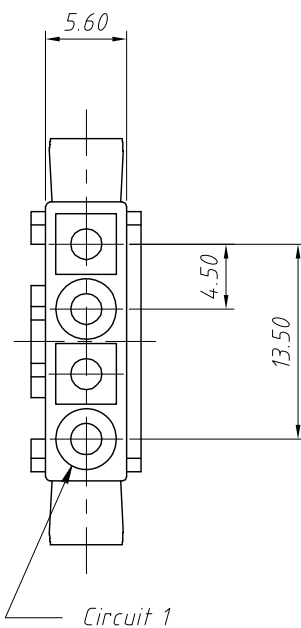
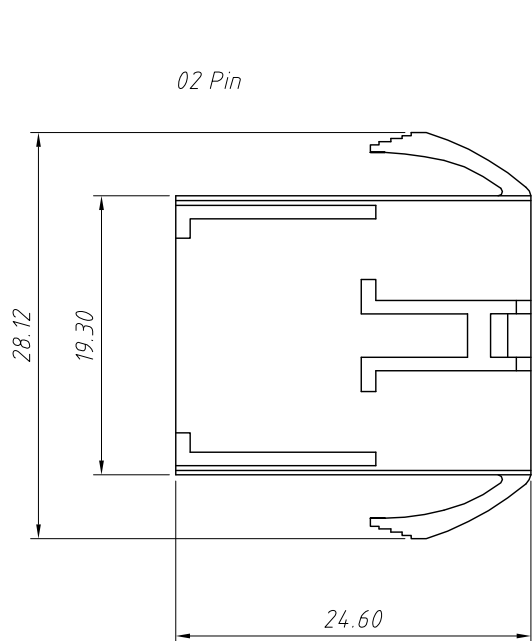
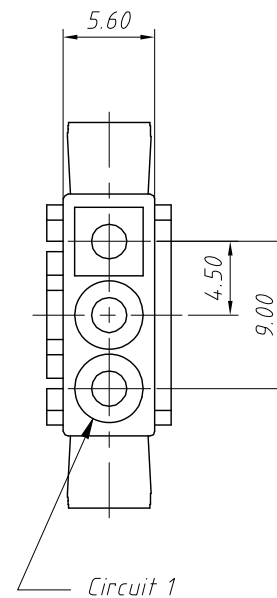
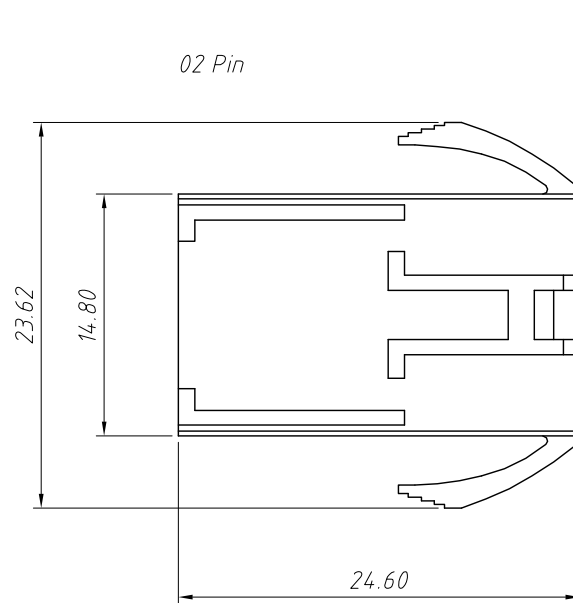
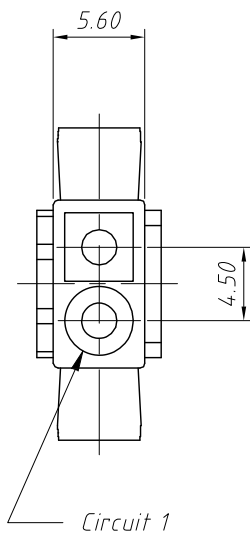
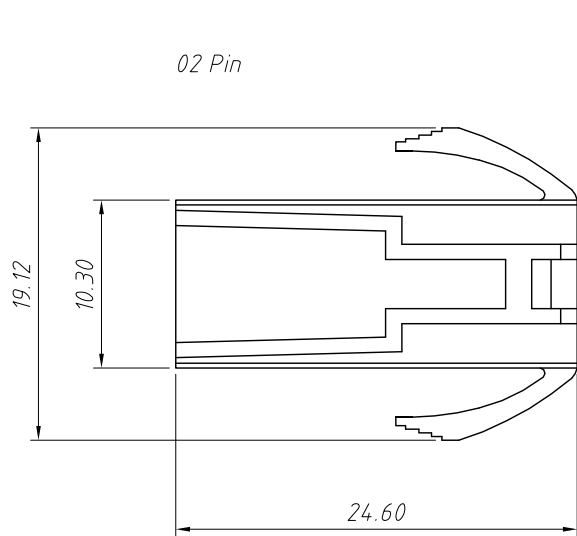


B-B

ANGLE TOLERANCE	PROJECTION	Description:		
±3°		4.50mm Pitch EL 4501 4502 Wire To Wire Connector		
GENERAL TOLERANCE	UNITS	mm	KLS P/N:	L-KLS1-XM1-4.50-MT
x.x ±0.30	SHEET SIZE	A4		
x.xx ±0.20	Draw:	Daniel	2021-01-11	
x.xxx ±0.10	Check:	Daniel	2021-01-11	

NingBo KLS ELECTRONIC CO.,L TD.

RoHS Compliance



Material:

Housing: PA66, UL 94V-0

Electrical Characteristics:

Rated Current: 10.0AMP

Voltage rating: 300V AC, DC

Temperature range: -25°C ~ +85°C

Insulator Resistance: 1000MΩ Min

Withstanding Voltage: 1500V AC/minute

Contact Resistance: 7mΩ Max

Order Information:

L-KLS1-XM1-4.50-1×XX-FH

L: RoHS

Pitch: 4.50mm

Row: 1-Single layer

2-Double layer

3-Three layer

XX-No. of 02~04 pins

Type:

FH-Female Hosing MH-Male Hosing

FT-Female Terminal MT-Male Terminal

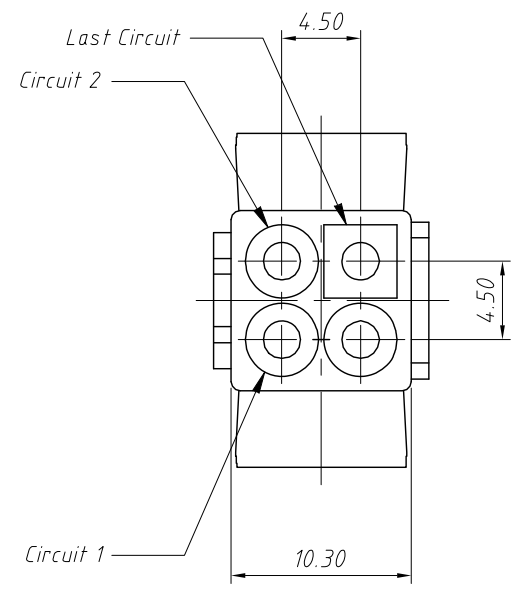
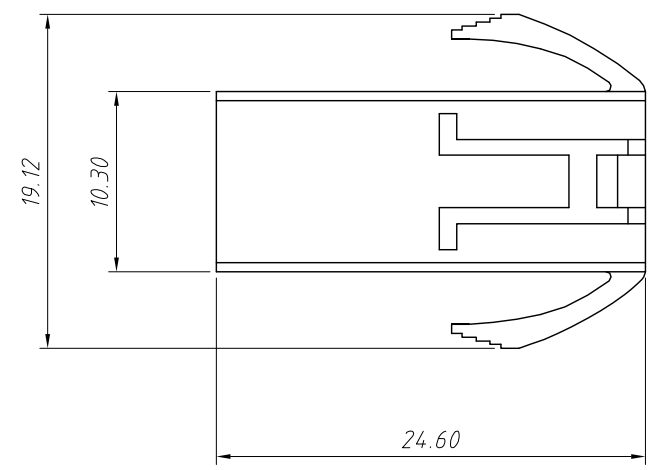
ANGLE TOLERANCE	PROJECTION	Description:
±3°		4.50mm Pitch EL 4501 4502 Wire To Wire Connector
GENERAL TOLERANCE	UNITS	mm
x.x ±0.30	SHEET SIZE	A4
x.xx ±0.20	Draw:	Daniel 2021-01-11
x.xxx ±0.10	Check:	Daniel 2021-01-11



NingBo KLS ELECTRONIC CO.,LTD.

1
RoHS Compliance

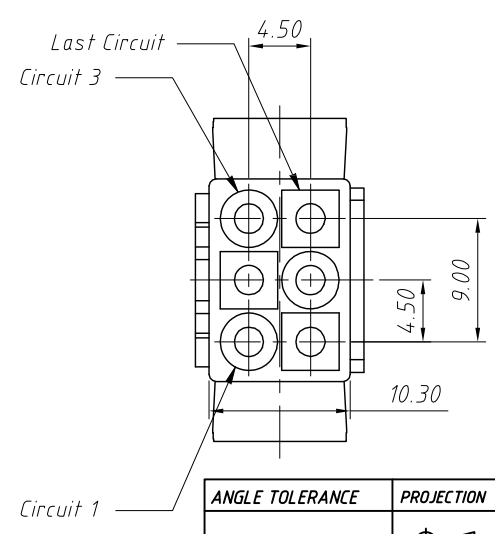
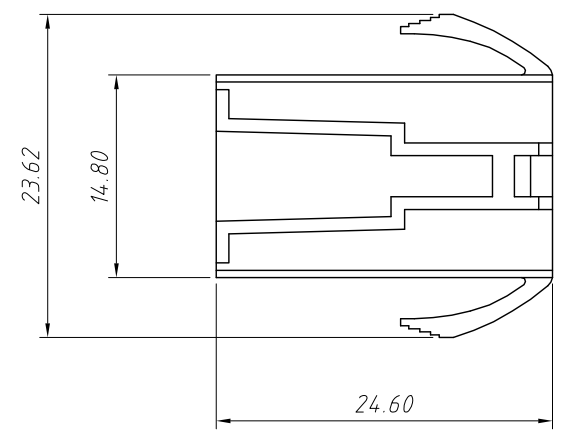
2
2x02 Pin



Material:
Housing:PA66,UL94V-0

Electrical Characteristics:
Rated Current:10.0AMP
Voltage rating:300V AC,DC
Temperature range:-25°C ~ + 85°C
Insulator Resistance:1000M Ω Min
Withstanding Voltage:1500V AC/minute
Contact Resistance:7m Ω Max

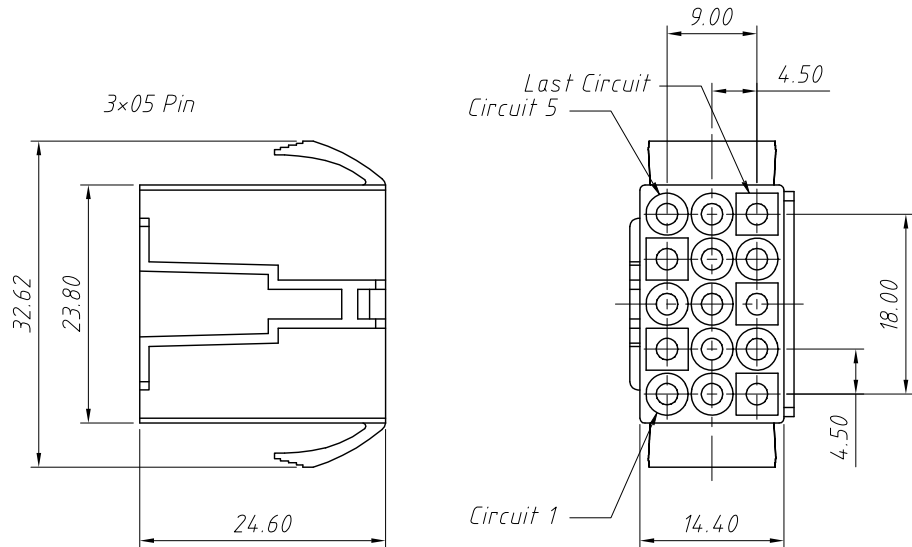
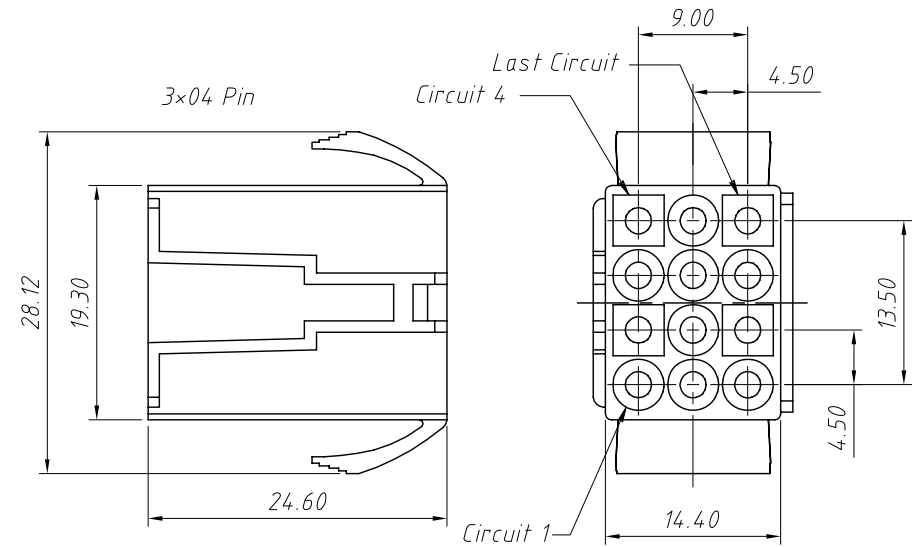
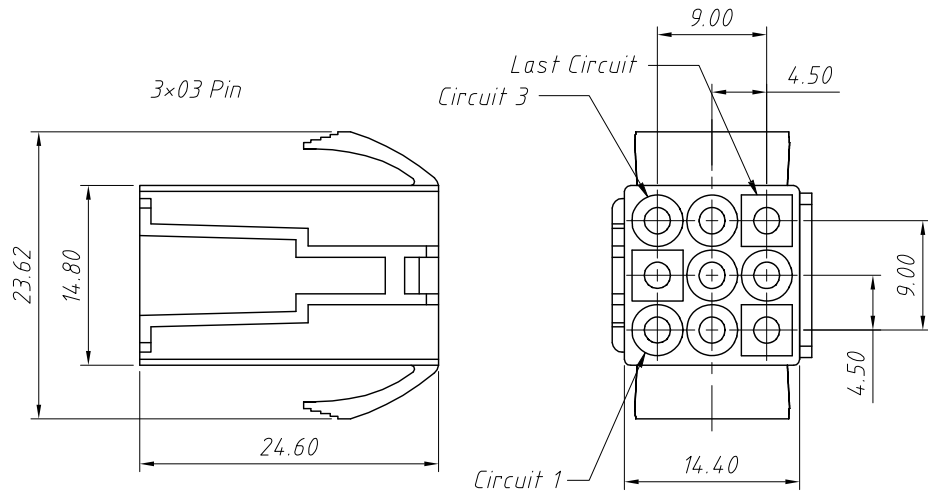
5
2x03 Pin



Order Information:
L-KLS1-XM1-4.50-2 \times XX-FH
L: RoHS
Pitch:4.50mm
Row:1-Single layer
2-Double layer
3-Three layer
XX-No.of 02~03pins
Type:
FH-Female Hosing MH-Male Hosing
FT-Female Terminal MT-Male Terminal

ANGLE TOLERANCE	PROJECTION	Description:		
$\pm 3^\circ$		4.50mm Pitch EL 4501 4502 Wire To Wire Connector		
GENERAL TOLERANCE	UNITS	mm	KLS P/N: L-KLS1-XM1-4.50-2 \times XX-FH	
x.x ± 0.30	SHEET SIZE	A4	NingBo KLS ELECTRONIC CO.,L TD.	
x.xx ± 0.20	Draw:	Daniel		2021-01-11
x.xxx ± 0.10	Check:	Daniel		2021-01-11

RoHS Compliance



Material:
Housing:PA66,UL94V-0

Electrical Characteristics:
Rated Current:10.0AMP
Voltage rating:300V AC,DC
Temperature range:-25°C ~ +85°C
Insulator Resistance:1000MΩ Min
Withstanding Voltage:1500V AC/minute
Contact Resistance:7mΩ Max

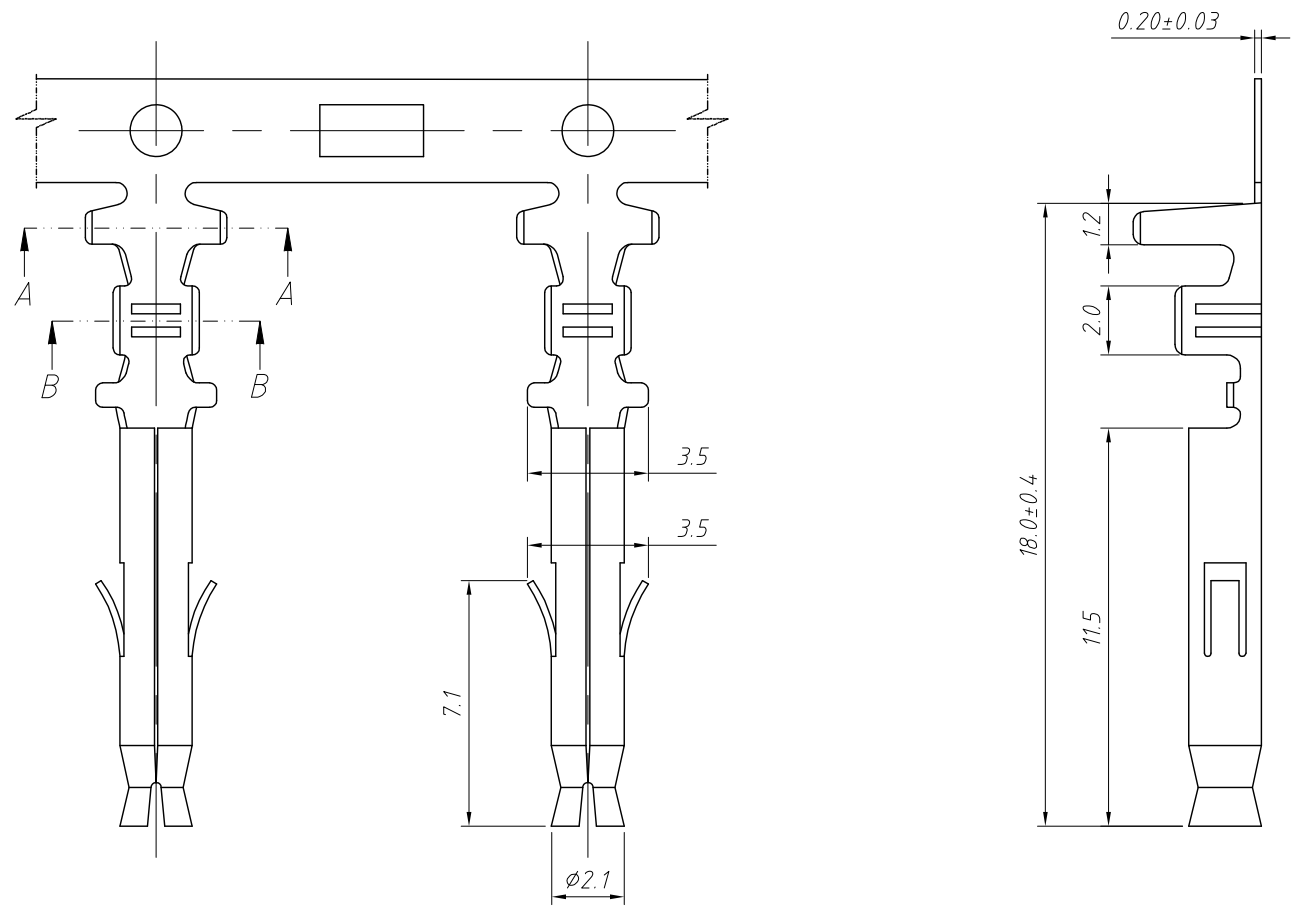
Order Information:

L-KLS1-XM1-4.50-3×XX-FH

L: RoHS
Pitch:4.50mm
Row:1-Single layer
2-Double layer
3-Three layer
XX-No. of 03~05pins
Type:
FH-Female Hosing MH-Male Hosing
FT-Female Terminal MT-Male Terminal

ANGLE TOLERANCE	PROJECTION	Description:		
±3°		4.50mm Pitch EL 4501 4502 Wire To Wire Connector		
GENERAL TOLERANCE	UNITS	mm	KLS P/N:	L-KLS1-XM1-4.50-3×XX-FH
x.x ±0.30	SHEET SIZE	A4		NingBo KLS ELECTRONIC CO.,L.TD.
x.xx ±0.20	Draw:	Daniel	2021-01-11	
x.xxx ±0.10	Check:	Daniel	2021-01-11	

1
RoHS Compliance

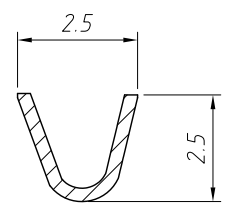
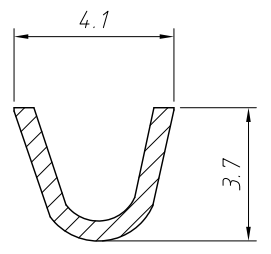


Material:
Terminal: Phosphor Bronze
Plating: Tin plated or Nickel
Applicable wires: AWG #20 ~ # 26
Insulation O.D: 2.7mm
Qty/reel: 4000 pcs

Electrical Characteristics:
Rated Current: 10.0AMP
Voltage rating: 300V AC,DC
Temperature range: -25°C ~ + 85°C
Insulator Resistance: 1000M Ω Min
Withstanding Voltage: 1500V AC/minute
Contact Resistance: 20m Ω Max

Order Information:
L-KLS1-XM1-4.50-FT

L: RoHS
Pitch: 4.50mm
Type: _____
FH-Female Hosing MH-Male Hosing
FT-Female Terminal MT-Male Terminal



ANGLE TOLERANCE	PROJECTION	Description:
$\pm 3^\circ$		4.50mm Pitch EL 4501 4502 Wire To Wire Connector
GENERAL TOLERANCE	UNITS	KLS P/N:
x.x ± 0.30	SHEET SIZE	L-KLS1-XM1-4.50-FT
x.xx ± 0.20	Draw:	NingBo KLS ELECTRONIC CO.,L TD.
x.xxx ± 0.10	Check:	