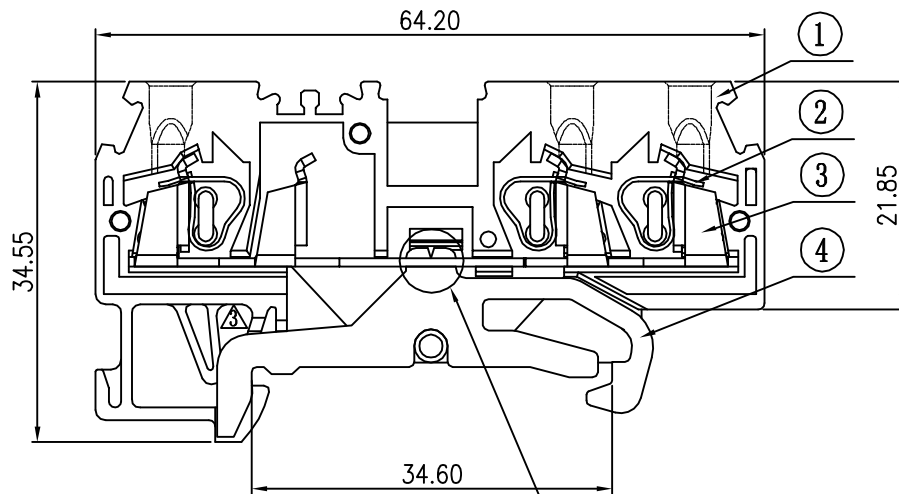
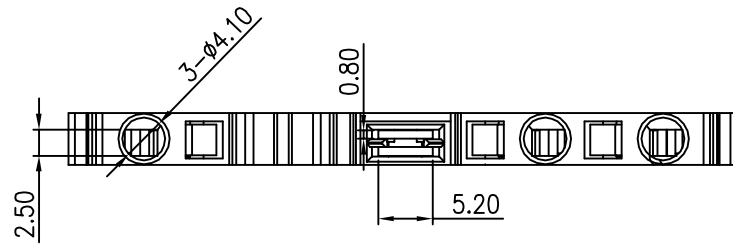


REVISION RECORD				
REV	ECO	DESCRIPTION	DRFT	DATE
△		Drawing emend	HXG	10/29/08*
△		修改品名料号中“Y”为“C”	LJH	04/06/09*
△		增加限位筋	CW	05/18/09

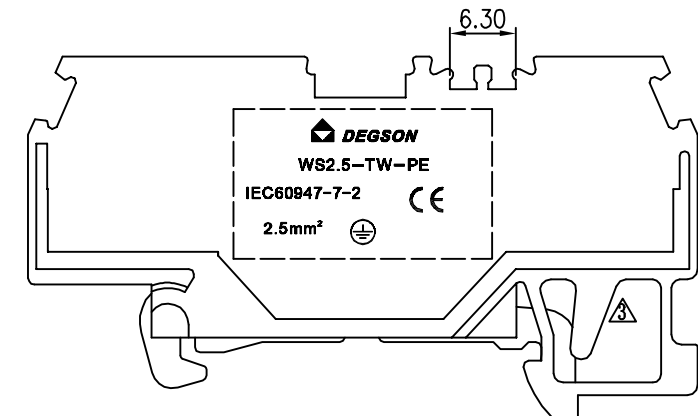
Notes:

1. Rated Voltage/Current:
2. Operation temperatures: -40°C~+105°C
3. Withstanding Voltage: AC3500V/1Min
4. Insulation Resistance: 1000MΩ / DC500V
5. Wire Range: 28~12AWG, 2.5mm²
6. Undimensioned Tolerances:

Pitch range in mm			Nominal dimension range in mm				
	over 6 to 10	over 10 to 24	over 30 to 60	over 60 to 100	over 100 to 150	over 150	
±0.10	±0.15	±0.25	±0.2	±0.3	±0.5	±0.7	±1
							0.05/10



先将载流体与接地体铆接在一起, 后在铆接处用锡焊接.



ITEM	NAME OF PART	NO. OF PART	Q'TY	MATERIAL	NOTES
4	WS2.5-PE-Ground Contact	6032B00010 (H)	1	Copper	SnCe
3	WS2.5-TW-Current Carrier	6130B00010 (H)	1	Copper	SnCe
2	DG242-5.0-Shrapnel	X00000990 (H)	3	Stainless steel	
1	WS2.5-TW-PE-Housing	6165A0C01A (H) △	1	PA66	UL94V-0

DIMENSIONED LISTS TOLERANCES EXCEPT AS NOTED ANGLES ± 1° THIRD ANGLE PROJECTION	DEPTO HXG CHED MPO APPVL MATERIAL : G. E : FINISH : SCALE : 1: 1	DATE 09/20/08* DATE DATE DATE DATE DATE	宁波高正电子有限公司 DEGSON ® DEGSON ELECTRONICS CO., LTD NAME (黄绿混色) △ WS2.5-TW-PE-01P-1C-00A (H)	
	DRAWING NO. WS2.5-TW-PE-E01		SIZE A3	REV T3
	/PART NO.			05/18/09
	DO NOT SCALE DRAWING		SHEET 1	OF 1