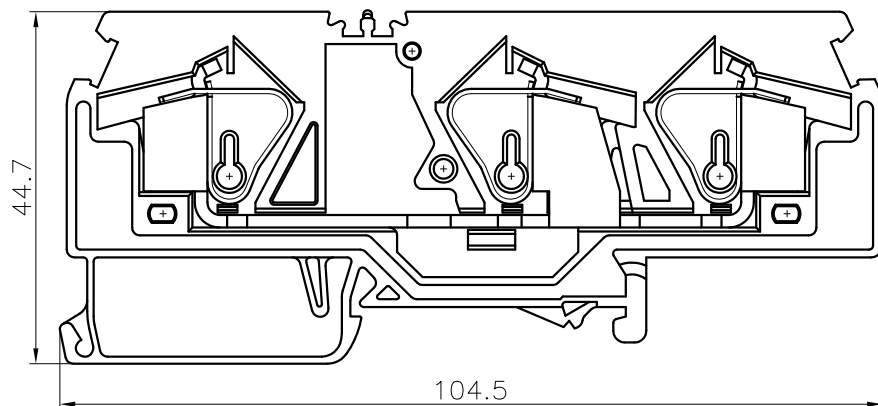
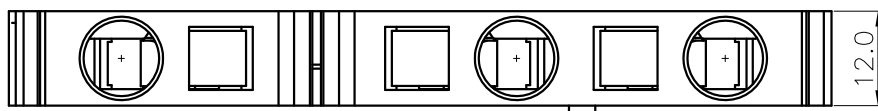
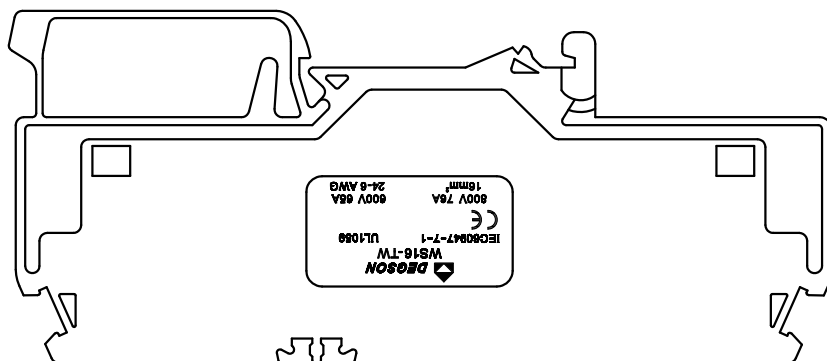


REVISION RECORD				
REV	ECN	DESCRIPTION	DRFT	DATE



NOTES1:

- UL Standard
- 1. Rated voltage/current : 600V / 65A
- 2. Withstanding voltage : AC2200V/1Min.
- 3. Wire range : 24~6AWG

IEC Standard

1. Pollution degree	3
Overtoltage category	III
Rate impulse voltage(KV)	8.0KV
Rate voltage(V)	800V
Rate current(A)	76 A

- 2. Wire range : 0.5~16mm<sup>2</sup>

NOTES2:

- 1. Dimension shall be interpreted per ASME Y14.5-2009
- 2. Pitch : 12.0mm, Poles : 01P
- 3. Stripping length : 16~17mm
- 4. Operating temperature: -40°C~+105°C
- 5. Undimensioned tolerances:

Pitch range in mm		Nominal dimension range in mm						±	∩	∟
TO	Over	TO	Over	TO	Over	TO	Over	0.1/10		
6	6	10	10	30	30	60	60	<		
10	24	30	50	100	150	150	1.30	±2'		
±0.15	±0.20	±0.30	±0.30	±0.50	±0.70	±1.00	±1.30			

6. RoHS Compliance

WS16-TW - 01P - 1Y - 00A (H)  
 (Series No.) (Poles) (Single Pitch) (Color): 1.(Grey)  
 2.(Blue)  
 3.(Black)  
 4.(Green)  
 5.(Orange)  
 6.(Red)  
 7.(Transparent)  
 8.(Yellow)  
 9.(White)

DETACHED LISTS	PART NO.:	/			
	APPD:	/			
	CHKD:	/			
	DRFT:	/			
	DRAWING NO.:		/		SHEET
THIRD ANGLE PROJECTION		DO NOT SCALE DRAWING		SCALE	1:1

宁波高松电子有限公司  
 NINGBO DEGSOON ELECTRICAL CO., LTD

NAME: WS16-TW-01P-1Y-00A(H)

TITLE: CUSTOMER DRAWING

REV: / DO: /

MM (INCH) / SCALE: 1:1