

# DC 300V 100A 200A 400A Digital Voltmeter Ammeter Battery Capacity Coulometer Power Electric Energy Watt Timer Hall Coulomb Meter

## 1.Function:

- 1.Measurement of Battery percentage and remaining battery AH number.
- 2.Measurement of DC bidirectional current.
- 3.Measurement of DC bidirectional power.
- 4.Measurement of DC bidirectional accumulative electric energy.
- 5.High voltage alarm flicker function.
- 6.Low voltage alarm flicker function.
- 7.High current alarm flicker function.
- 8.Low electricity alarm flicker function.
- 9.The function of reach the full voltage (this voltage can be set by yourself) automatically fill the battery.
- 10.Zero current can be cleared.
- 11.Accumulative energy can be cleared.
- 12.The backlight can be closed or opened.
- 13.Store data when power off.
- 14.Hall sensor isolation type measurement,more safe and reliable, easy to install.
- 15.Using STN full view LCD screen,clear display.
- 16.Super wide power supply voltage range: DC5~90V.

## 2.LCD Panel and Key



## 3.Key Use Instructions

1. Backlight Control :  
In standby display, short press “▲”key can turn on or turn off the screen backlight, backlight state power off automatically save
1. Clear Current :  
In standby display, long press “▲”key about three seconds can clear current, (Note : The load must be empty when clear, otherwise it's inaccurate)
1. Clear Electric Energy :  
In standby display,long press “■”key about three seconds can clear electric energy.
1. Setting Parameters :  
In standby display, short press “■”key can switch the menu as follows:
  - 【1】 “AH XXX.X”the menu of battery rated capacity setting.
  - 【2】 “FU XXX.X”the menu of full power automatically filled voltage setting.
  - 【3】 “HU XXX.X”the menu of high voltage alarm setting.

【4】 “LU XXX.X”the menu of low voltage alarm setting.

【5】 “HA XXX.X”the menu of high current alarm setting.

Battery rated capacity setting : (1) In standby display, short press **■** key,will switch to the menu “AH XXX.X”.

(2) The first digit of the menu parameter will flicker, short press **▲** key at this time digit will increasing one.When the button is not operated within five seconds, it will automatically jump to the next number to flicker.and you short press **▲** key digit will also increasing one.And the like to set up four numbers.

(3) After set up four numbers ,Long press **■** key about three seconds (Note: it is not short press) and then release the key can save the parameters.When to save success the screen will flicker two times. For example:When you want to set the battery rated capacity to be 20AH.You should set this menu parameter of“AH 020.0”, and long press **■** key to save parameter is finish.

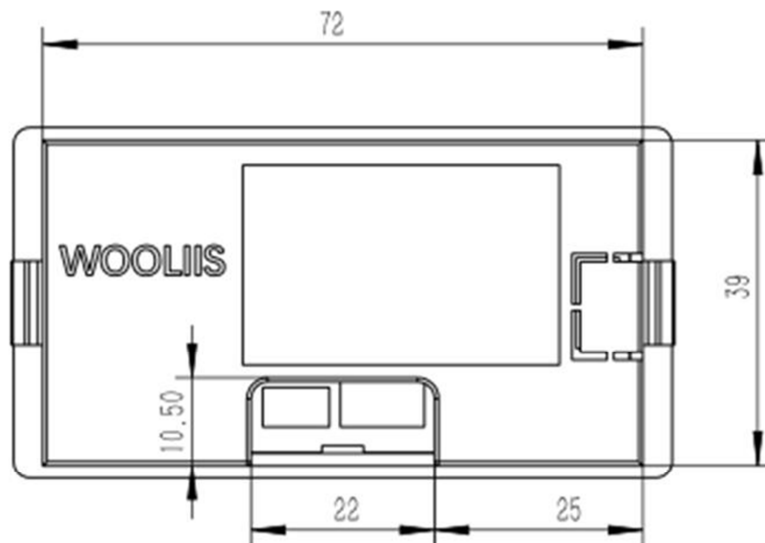
The battery is full of the highest electric voltage setting: (1) In standby display, short press **■** key,and switch to the menu “FU XXX.X”.

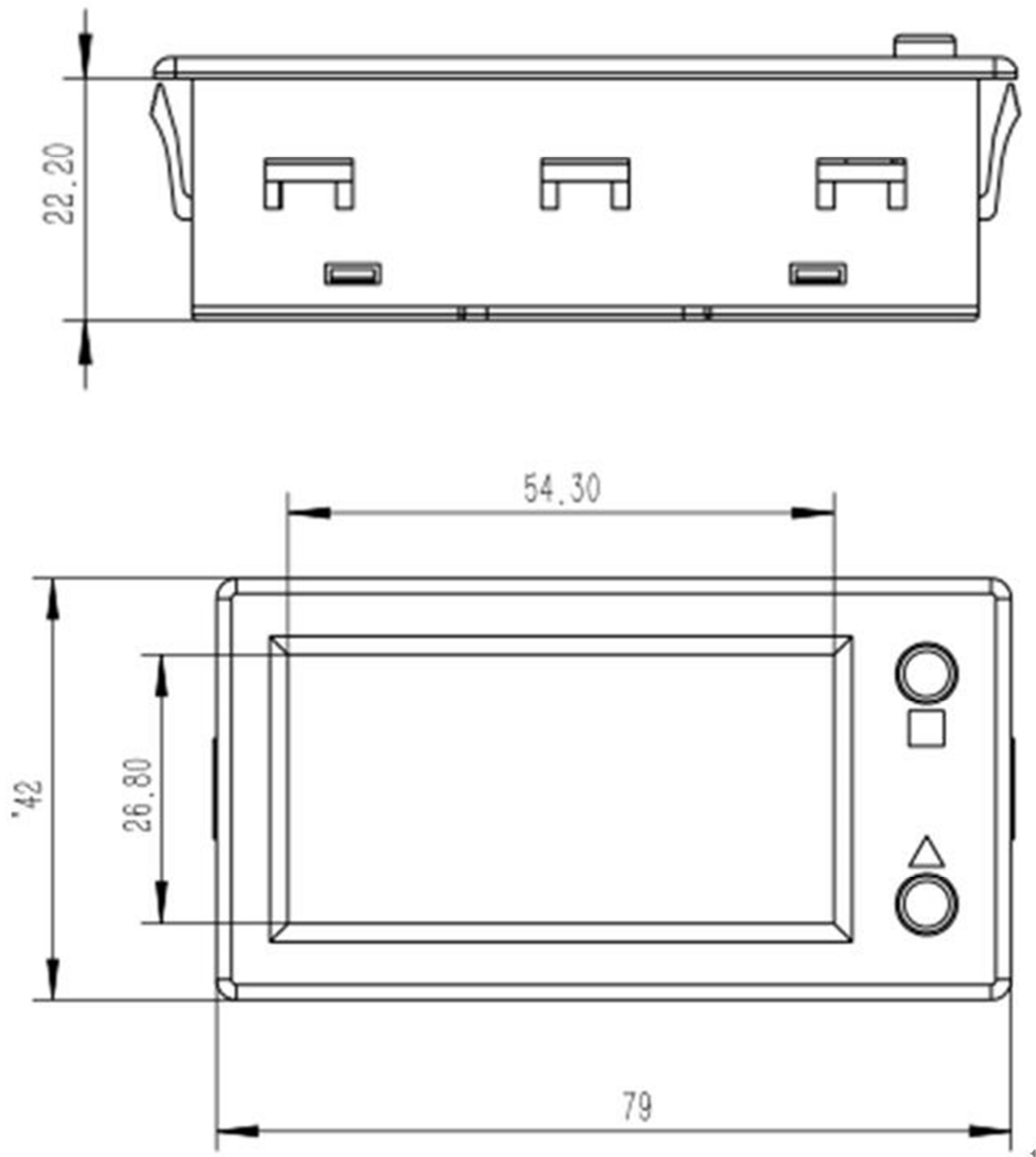
(2) The first digit of the menu parameter will flicker, short press **▲** key at this time digit will increasing one.When the button is not operated within five seconds, it will automatically jump to the next number to flicker.and you short press **▲** key digit will also increasing one.And the like to set up four numbers.

(3) After set up four numbers ,Long press **■** key about three seconds (Note: it is not short press) and then release the key can save the parameters.When to save success the screen will flicker two times.(Note: This voltage is suggested to be set to 0.2V less than the Coulomb's voltage when the battery is full and has not pulled out the charger.)

And the like you could setting the parameters of “HU XXX.X”“LU XXX.X”“HA XXX.X” (Not : This three parameters of the factory default is “000.0” ,the factory default is to close this item's alarm function.

#### 4.Coulommeter Mechanical Size Diagram





## 5.Parameter

Model	PVA100	PVA200	PVA400
Current Test Range	0~100A	0~200A	0~400A
Current Resolution	0.1A	0.1A	0.2A
Power Supply Voltage Range	DC5~90V		
Voltage Test Range	DC0~300V		
Voltage Resolution	0.1V		
Capacity Test Range	0~999AH		
Power Test Range	0~999KW		
Electric Energy Test Range	0~999KWH		
Measuring Accuracy:	1%		
Slotting Size Of Panel Installation	76.0mm * 39.5mm		
Diameter Size Of Sensor Hole	Φ20mm		
Working Current	When the backlight is open : 10MA. When the backlight is closed : 4MA.		

<https://www.kosmodrom.ua>