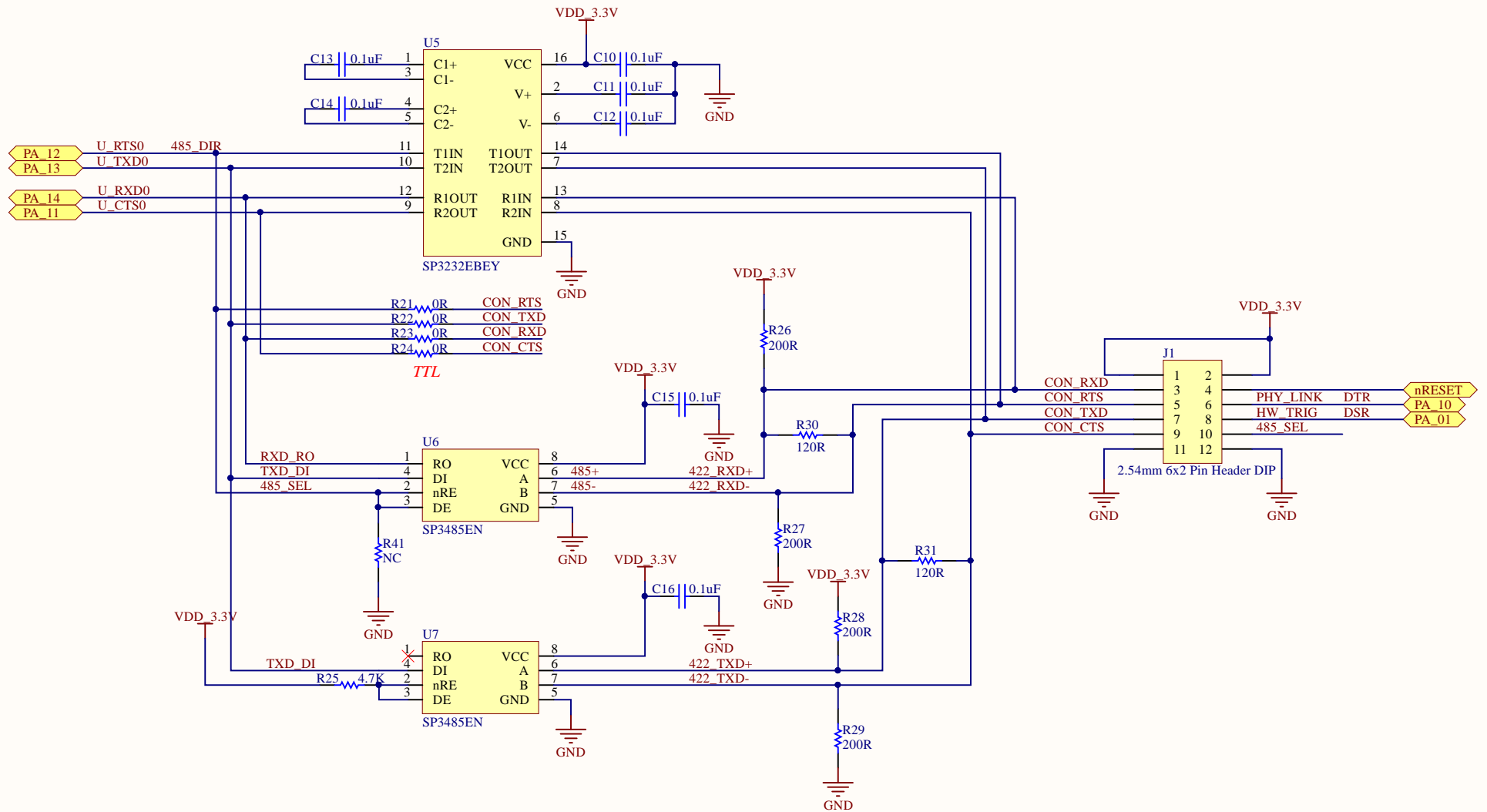
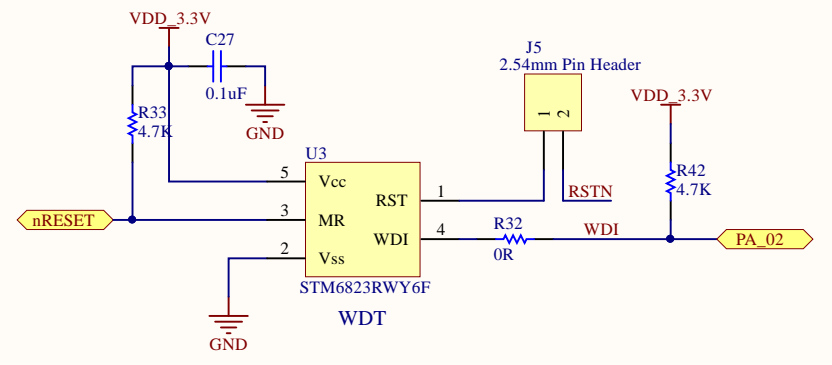
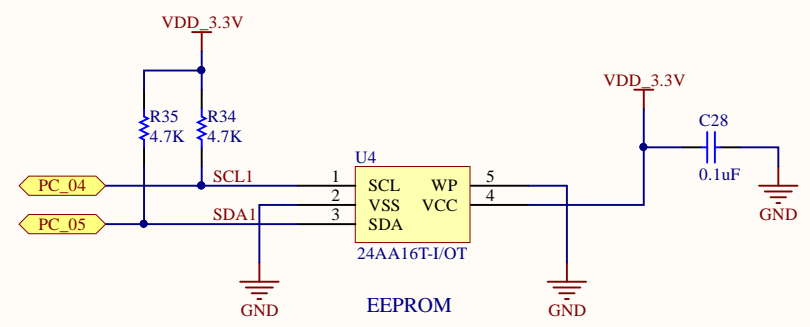
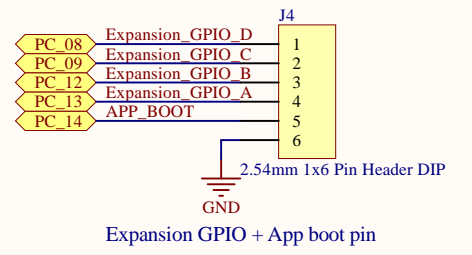
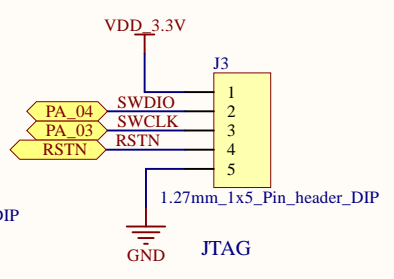
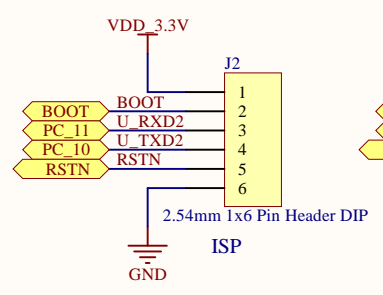
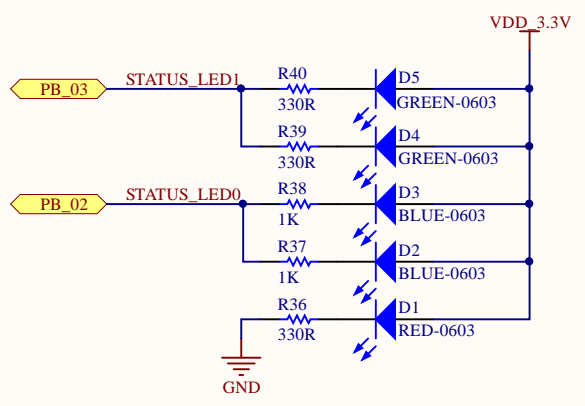
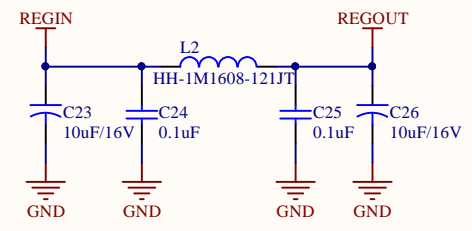
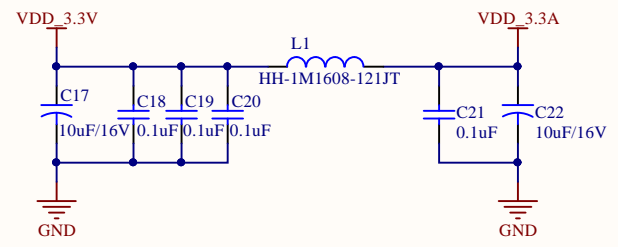


PA_09 (LED0) pin is PHY_LINK_STATUS(GPIO) check pin
 PA_10 is PHY_LINK_STATUS output pin

Title WIZ750SR		WIZnet Co., Ltd. 5F, Humax Village Hwangseaul-ro, Bundang-gu Seongnam-si, Gyeonggi-do South Korea		Cannot open file C:\Users\Public\Docum ents\Altium\AD14\Tem plates\IOP_IoT logo.png
Size: A4	Number:	Revision:V1.0		
Date: 2016-05-26	Sheet 1 of 3			
Team: Team Wiki		Drawn By: Edward		



Title WIZ750SR		WIZnet Co., Ltd. 5F, Humax Village Hwangseaul-ro, Bundang-gu Seongnam-si, Gyeonggi-do South Korea		Cannot open file C:\Users\Public\Documents\Altium\AD14\Templates\IOP_IoT logo.png
Size: A4	Number:	Revision:V1.0		
Date: 2016-05-26	Sheet2 of 3			
Team: Team Wiki		Drawn By: Edward		



Title WIZ750SR		WIZnet Co., Ltd. 5F, Hwang Village Hwangseoul-ro, Bundang-gu Seongnam-si, Gyeonggi-do South Korea		Cannot open file C:\Users\Public\Documents\Altium\AD14\Templates\IOP_IoT logo.png
Size: A4	Number:	Revision: V1.0		
Date: 2016-05-26		Sheet 3 of 3		
Team: Team Wiki		Drawn By: Edward		