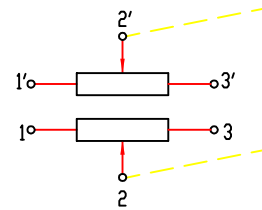
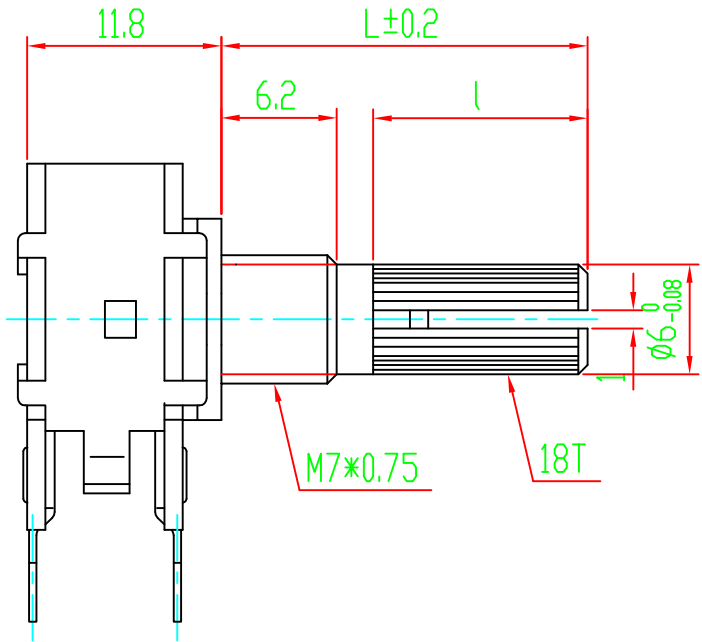
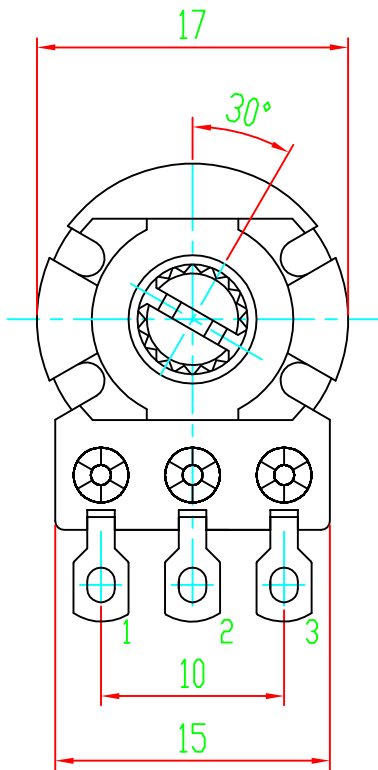


客户名称			
型号规格	KLS4-WH148-1B-1-A103 Straight Pin Without Post		
客户料号			
<b>1 电器特性/ Electrical Characteristics</b>			
Item	Specifications		
1.1 全阻抗值/ Total Resistance	A10K		
1.2 负载功率/ Rated Power	0.06 W		
1.3 杂音/ Rotational Noise	100 mV max		
1.4 绝缘阻抗特性 / Insulation Resistance	>100M $\Omega$ At 500V DC		
1.5 耐电压特性/ Withstand Voltage	1 Minute At 500V AC		
1.6 最大工作电压 / Max.Operating Voltage	100V AC		
1.7 双联同步误差/ Gang Error	0~-40dB $\leq$ $\pm$ 3dB		
1.8 残留阻抗 / Residual Resistance	R1,2<5 $\Omega$ ; R2,3<10 $\Omega$		
1.9 全阻抗值误差/ Total Resistance Tolerance	$\pm$ 20%		
2.0 卡点个数/Number of click	/		
<b>2 机械特性/ Mechanical characteristics</b>			
2.1 外形尺寸/ Drawing	See the attachment 附图		
2.2 全回转角度 / Total Rotational Angle	300 $\pm$ 5 $^{\circ}$		
2.3 旋转力矩/ Rotational Torque	30~200gf.cm		
2.4 旋转止挡力矩/ Rotational Stopper Strength	>6kg.cm		
2.5 旋转寿命/ Rotary life	10,000cycles		
变更记事	KLS ELECTRONIC CO., LTD.		
	拟制	审核	批准
	毛志平	钱庭鸥	宋继鹏
编号			

Shaft Shown in Full  
C.C.W. Position



CIRCUIT DIAGRAM

L	12	15	20 ✓	
l	4.5	7	12 ✓	

02				05				
01				04				
	DATE	REVISION	APPROVED	03				
毛志平 2017.3.13	钱庭鸥 2017.3.13	宋继鹏 2017.3.13	MODEL: WH148-1B-1 L20 18T				DRAWING NO:	
			<b>KLS ELECTRONIC CO., LTD.</b>					
DRAW	CHKD	APPD						