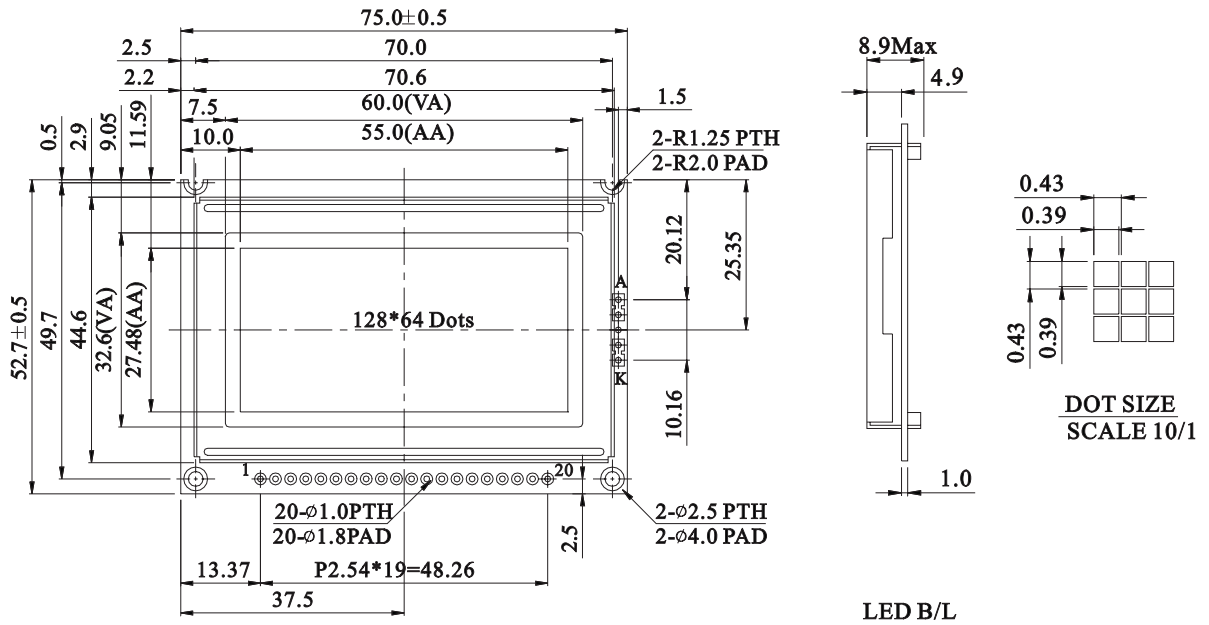




**WG12864B** Graphic 128x64dots

*Dimension drawing*



Graphic type

**Feature**

1. Built-in controller Samsung- (KS0107 · KS0108 or equivalent)
2. +5V power supply
3. 1/64 duty cycle
4. N.V Built-in

| Pin NO. | Symbol | Function                    |
|---------|--------|-----------------------------|
| 1       | Vdd    | Power Supply(+5V)           |
| 2       | GND    | Power Supply(GND)           |
| 3       | Vo     | Contrast Adjustment         |
| 4       | DB0    | Data bus line               |
| 5       | DB1    | Data bus line               |
| 6       | DB2    | Data bus line               |
| 7       | DB3    | Data bus line               |
| 8       | DB4    | Data bus line               |
| 9       | DB5    | Data bus line               |
| 10      | DB6    | Data bus line               |
| 11      | DB7    | Data bus line               |
| 12      | CS1    | Chip select IC1             |
| 13      | CS2    | Chip select IC2             |
| 14      | RST    | Reset signal                |
| 15      | R/W    | Data read/write             |
| 16      | D/I    | Data /instruction           |
| 17      | E      | Enable signal               |
| 18      | Vee    | Negative Voltage output     |
| 19      | A      | Power supply for LED(+4.2V) |
| 20      | K      | Power supply for LED (0V)   |

**Mechanical Data**

| Item             | Standard Value | Unit |
|------------------|----------------|------|
| Module Dimension | 75.0x52.7      | mm   |
| Viewing Area     | 60.0x32.6      | mm   |
| Mounting hole    | 70.0x 49.7     | mm   |
| Dot Pitch        | 0.43x0.43      | mm   |

**Absolute Maximum Rating**

| Item          | Symbol  | Standard Value |      |      | Unit |
|---------------|---------|----------------|------|------|------|
|               |         | min.           | typ. | max. |      |
| Power Supply  | VDD-VSS | 4.75           | 5.0  | 5.25 | V    |
| Input Voltage | VI      | -0.3           | ---  | VDD  | V    |

Note : VSS=0 Volt, VDD=5.0 Volt.

**Electronical Characteristics**

| Item   | Symbol | Condition        | Standard Value     |      |                    | Unit |
|--|--------|------------------|--------------------|------|--------------------|------|
|  |        |                  | min.               | typ. | max.               |      |
| Input Voltage  | VDD    | L level          | 0.7V <sub>DD</sub> | ---  | V <sub>DD</sub>    | V    |
|  | VIO    | H level          | 0                  | ---  | 0.3V <sub>DD</sub> | V    |
| Supply Current   | IDD    | VDD=5V           | ---                | 4.0  | 5.2                | mA   |
| Recommended LC Driving Voltage for Normal Temp. Version module | VDD-V0 | -20°C            | 9.9                | 10.4 | 10.9               | V    |
|  |        | 0°C              | 9.7                | 10.2 | 10.7               |      |
|  |        | 25°C             | 7.5                | 8.0  | 8.5                |      |
|  |        | 50°C             | 8.6                | 9.1  | 9.6                |      |
|  |        | 70°C             | 8.4                | 8.9  | 9.4                |      |
| LED Forward Voltage  | VF     | 25°C             | ---                | 4.0  | 4.4                | V    |
| LED Forward Current  | IF     | 25°C Edge        | ---                | 100  | 200                | mA   |
| EL Power Supply Current  | IEL    | Vel=110VAC;400Hz | ---                | ---  | 5.0                | mA   |

