

1  
RoHS Compliance

2

3

4

5

6

7

8

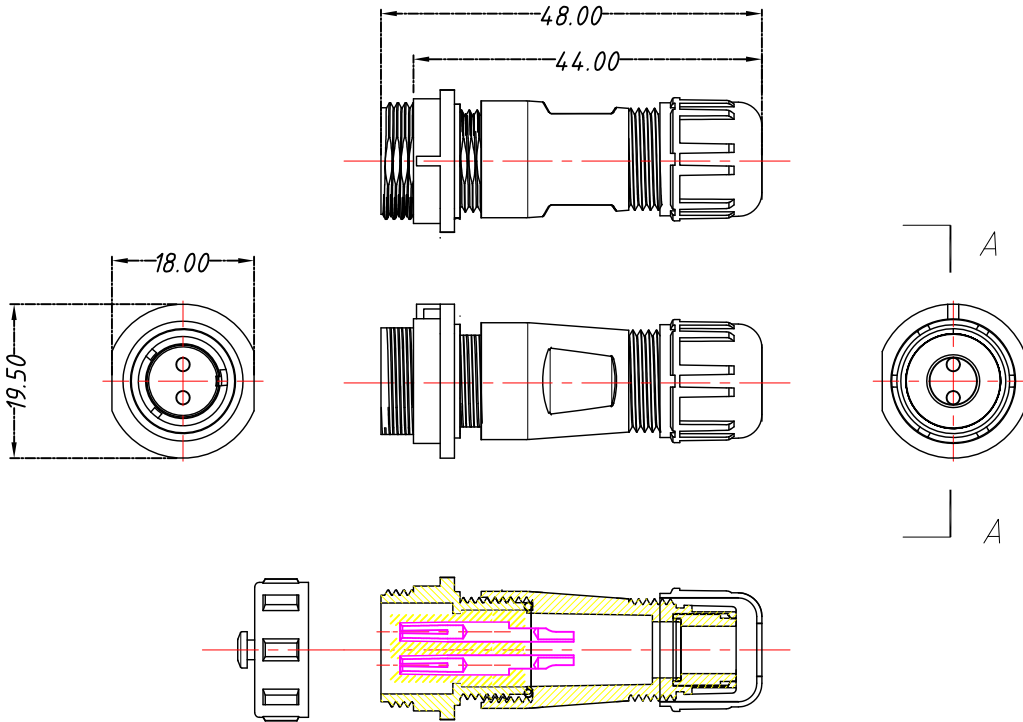
**Material & SPEC.**

- 1.Shell Material: PPO,PA66 UL94V-0
- 2.Insulation Materials: PPS, High Temperature 260°C
- 3.Contact: Brass,Gold-plated
- 4.Insulation resistance: 2000MΩ
- 5.Number of poles: 2~9 poles
- 6.Coupling: Threaded
- 7.Termination: Solder
- 8.Cable outer Diameter: Not- 4~6.5mm; G- 5~8mm
- 9.IP Rating: IP68
- 10.Durability: 500 mating cycles
- 11.Temperature Range: -25°C~+80°C

**ORDER INFORMATION:**

L - KLS15 - W13 A4 - XX

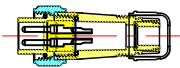
- RoHS
- IP68 Connector type
- Female plug for Cable
- Number of poles: 2~9 poles



SECTION A-A

**Match Connector**

KLS15-W13A1



**Solder contact arrangement and spec**

| Number of contact                     | 2      | 3      | 4         | 5         | 6         | 7         | 9         |
|---------------------------------------|--------|--------|-----------|-----------|-----------|-----------|-----------|
| Male contact face view                |        |        |           |           |           |           |           |
| Rated current (A)                     | 13A    | 13A    | 5A        | 5A        | 5A        | 5A        | 3A        |
| Contact diameter                      | ∅1.6x2 | ∅1.6x3 | ∅1.0x4    | ∅1.0x5    | ∅1.0x6    | ∅1.0x7    | ∅0.7x9    |
| Rated voltage(AC.V)                   | 250V   | 250V   | 200V      | 180V      | 125V      | 125V      | 125V      |
| Test voltage(AC.V) 1min               | 1500V  | 1500V  | 1500V     | 1000V     | 1000V     | 1000V     | 1000V     |
| Contact resistance mΩ                 | 2      | 2      | 5         | 5         | 5         | 5         | 10        |
| Wire size solder mm <sup>2</sup> /AWG | ≤2/14  | ≤2/14  | ≤0.785/18 | ≤0.785/18 | ≤0.785/18 | ≤0.785/18 | ≤0.785/18 |

|                   |               |                              |
|-------------------|---------------|------------------------------|
| GENERAL TOLERANCE | PROJECTION    | Description:                 |
| .X ±0.05          | UNITS mm      | IP68 W13 CONN,               |
| .XX ±0.02         | SHEET SIZE A4 | Female plug for Cable,Solder |
|                   | KLS P/N:      | KLS15-W13A4-XX               |

Draw: Daniel 2018-08-27  
 Check: Daniel 2018-08-27  
 SCALE 1:1 SHEET



NingBo KLS ELECTRONIC CO.,L TD.