

Material:

Insulator:PBT UL94V-0,Black/White.

Contacts:Brass C2680.

Shell:C2680/SPCC.

Finish:

Contact:Contact area gold plated 1U ";

Bright tin plating 100-200u" Min in welding area.

Shell:Nickel plating 50-80u" Min.

Electrical:

Contact Resistance:30mΩ Max.

Insulation Resistance:1000MΩ Min.

Dielectric Withstanding Voltage:500 V AC at per minute.

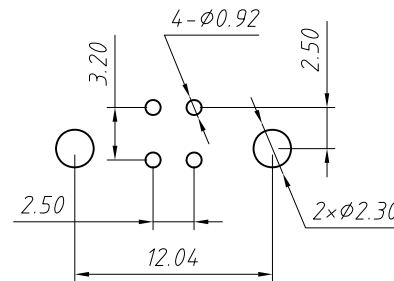
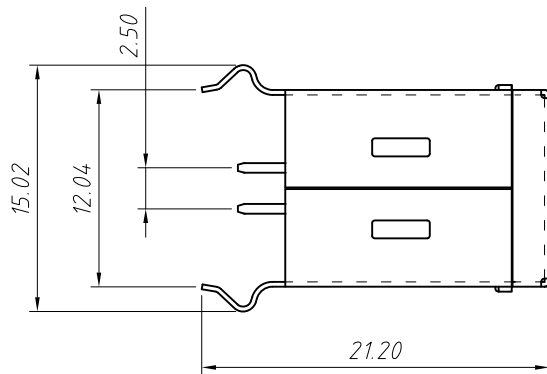
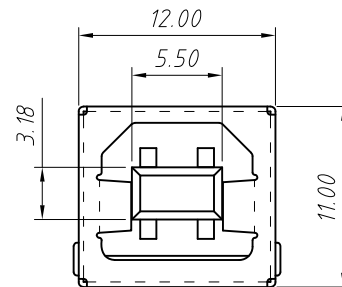
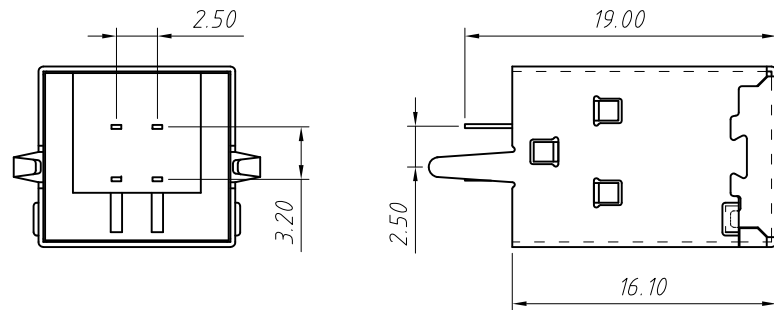
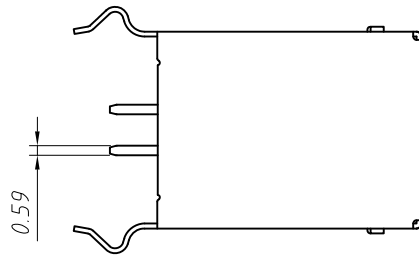
Order Information

L-KLS1- 152 - B

Color:W=White B=Black

USB 2.0

RoHS



RECOMMENDED PCB LAYOUT

GENERAL TOLERANCE	PROJECTION		Description:
X. ±0.50	UNITS	mm	CONN COM TYPE B USB Female HORZ 4POS
.X ±0.25	SCALE	1:1	
.XX ±0.10	Draw by:	Jenny	KLS P/N: L-KLS1-152-X
ANGLE TOLERANCE	Check by:		NingBo KLS ELECTRONIC CO.,L TD.
X. ±5°	Date	2018-03-01	
.X ±3°	SHEET	1 OF 1	
.XX ±2°			