

## Mini USB Connectors

KLS1-WUSF4724-0DI0 USB 3.1 type C Sink type with DIP&SMT CL-0.29mm

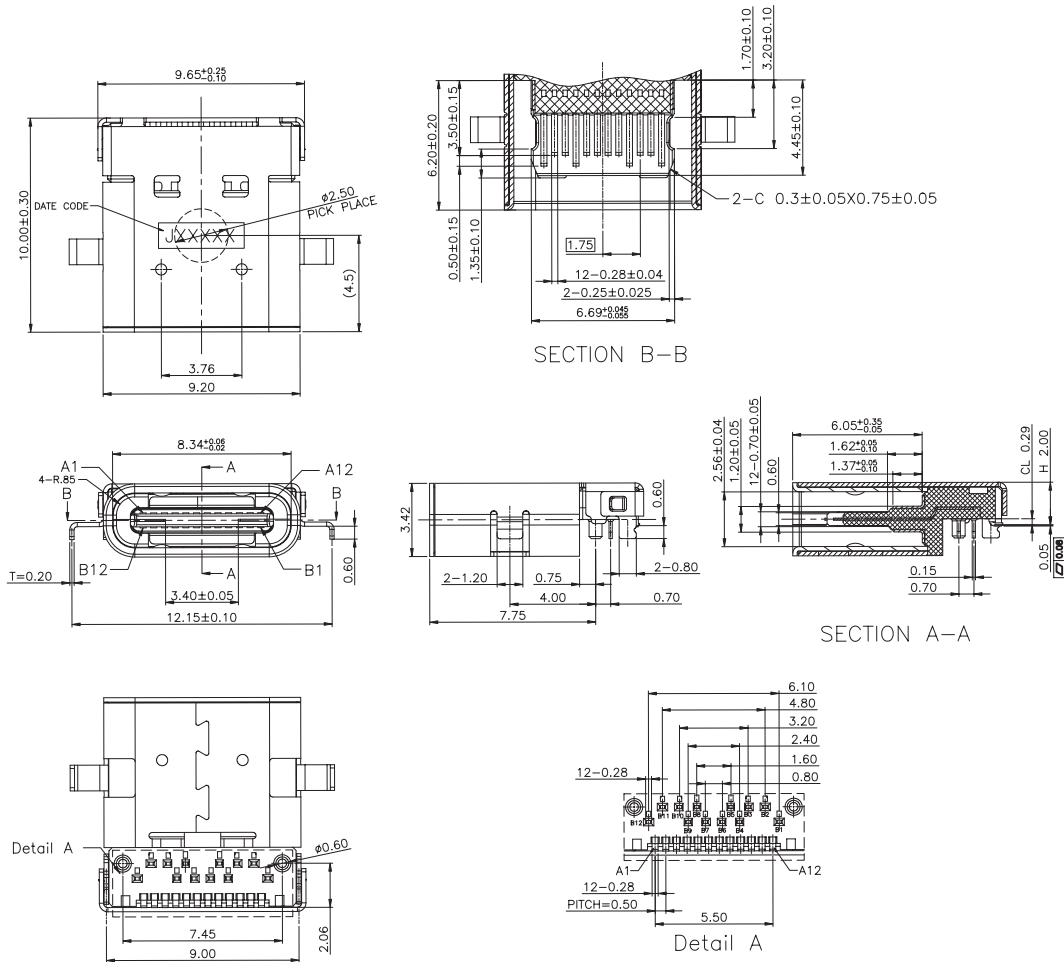
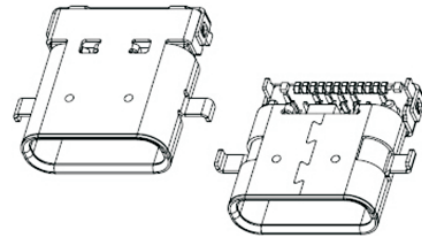
**Note:**

**1.Material:**

- 1.1:Insulator:High Temperature Plastic UL 94 V-0; 1.2:Contact:Copper Alloy(T=0.15mm)
- 1.3:Shell:Stainless Steel(T=0.20mm)

**2.Electrical Characteristics:**

- 2.1:Contact Resistance:40mΩ Max For Initial. 10mΩ Change After Test.Measure At 20mV, 100mA.
- 2.2:Contact Current Rating: 5A For VBUS Pin; 1.25A For VCONN Pin.
- 2.3:Dielectric Withstanding Voltage:100V AC R.M.S.
- 2.4:Insulation Resistance 100MΩ Min
- 2.5:Operating Temperature: -40℃ ~ 85℃



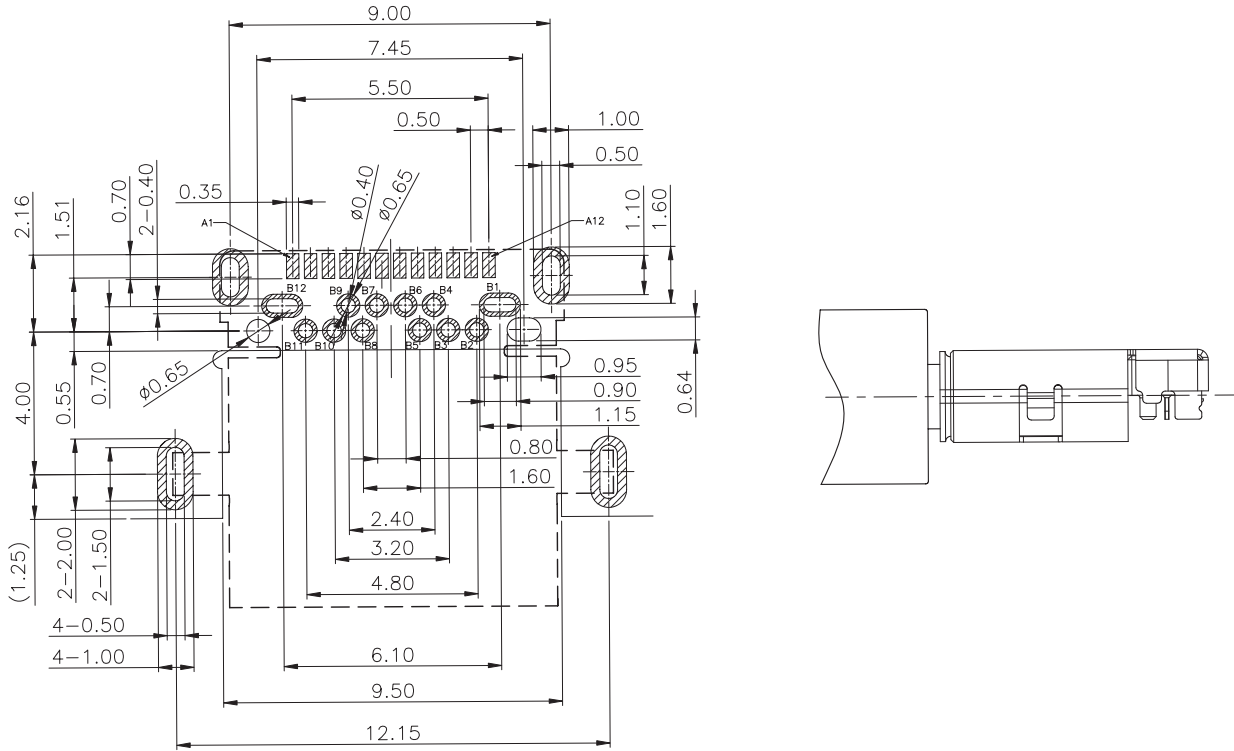
## ORDER INFORMATION

Product NO.: KLS1-WUS F 47 24-0D I 0



**Mini USB Connectors**

KLS1-WUSF4724-0DI0 USB 3.1 type C Sink type with DIP&SMT CL-0.29mm



Pin	Signal Name	Mating Sequence	Pin	Signal Name	Mating Sequence
A1	GND	First	B12	GND	First
A2	SSTXp1	Second	B11	SSTXp1	Second
A3	SSTXn1	Second	B10	SSTXn1	Second
A4	V <sub>BUS</sub>	First	B9	V <sub>BUS</sub>	First
A5	CC1	Second	B8	SBU2	Second
A6	Dp1	Second	B7	Dn2	Second
A7	Dn1	Second	B6	Dp2	Second
A8	SBU1	Second	B5	CC2	Second
A9	V <sub>BUS</sub>	First	B4	V <sub>BUS</sub>	First
A10	SSRXn2	Second	B3	SSRXn2	Second
A11	SSRXn2	Second	B2	SSRXn2	Second
A12	GND	First	B1	GND	First
SHELL		GND	SHELL		GND