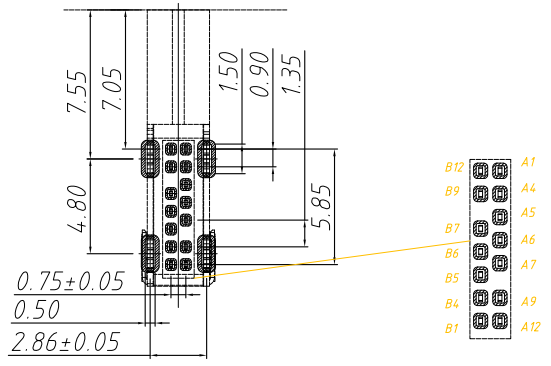
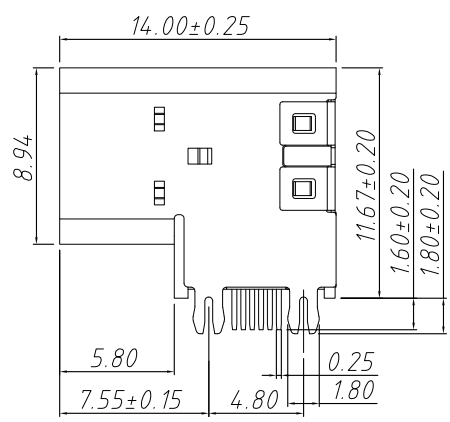
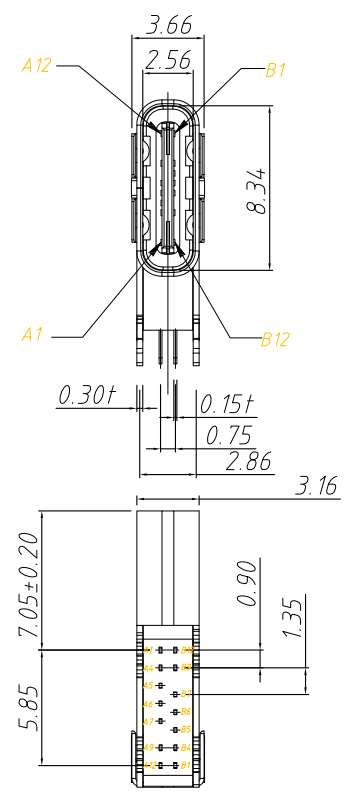


Electrical
 Current Rating: 3.0A Max
 Voltage: 100 VAC
 Contact Resistance: 40mΩ Max
 Insulation Resistance: 100MΩ Min.

Mechanical
 Operating Temperature: -30°C TO +85°C.
 Insertion Force : 5N~20N
 Unmating Force: 8N~20N
 Durability: 10000 Cycles


Order Information
 L-KLS1- 5461
 USB Type C
 Female Connector
 RoHS



A1	GND	B12	GND
A4	VBUS	B9	VBUS
A5	CC1	B7	DN2
A6	DP1	B6	DP2
A7	DN1	B5	CC2
A9	VBUS	B4	VBUS
A12	GND	B1	GND
Pin	Signal Name	Pin	Signal Name

5	Cover	Stainless Steel; Nickel plated
4	Type C MD	High Temperature Plastic,Black,UL94V-0
3	CENTER PIECE	Stainless Steel;
2	Type C Terminal	Copper Alloy,Au /Nickel plated
1	Shell	High Temperature Plastic,Black
No.:	Name	DESCRIPTION

RECOMMENDED PCB LAYOUT
 GENERAL TOLERANCE: ±0.05
 PCB Thickness : 1.0 ~ 1.2mm

TOLERANCE	PROJECTION	Description:	USB Type C Female CONN.
.X ±0.30	UNITS		14P SIDE DIP R/A,Padding 2.6mm
.XX ±0.20	SHEET	KLS P/N:	KLS1-5461
.XXX ±0.10	Draw:	Daniel	 NingBo KLS ELECTRONIC CO.,LTD.
X. ±2°	Check:	Daniel	
.X ±1°	Date	2018-03-01	
.XX ±0.5°			