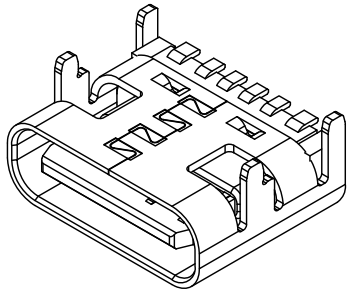
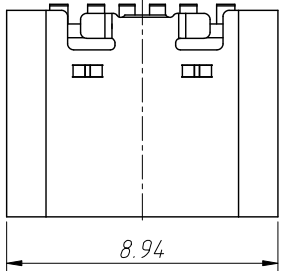


1
RoHS Compliance

7		8		
REV	SYM	Revision Record	Appr.	Date
V0	KLS01323	New Version Release	Song	2023-08-01



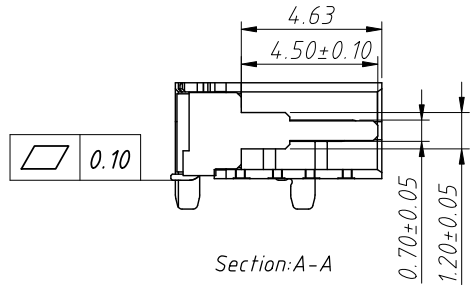
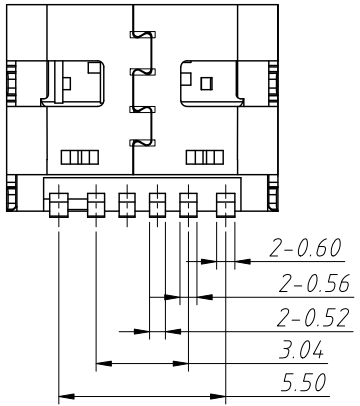
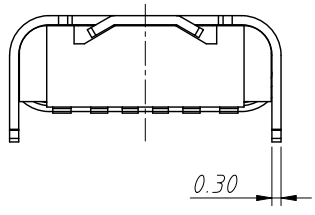
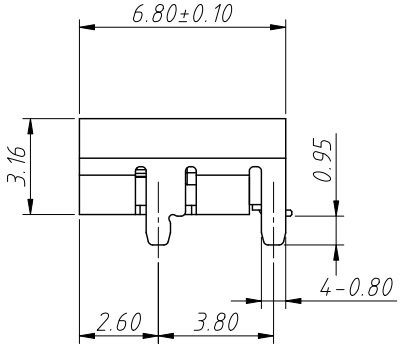
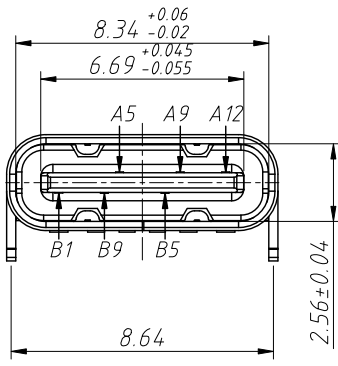
Notes:
 1.Material:
 1-1.Housing:High Temperature Resistant Plastic,UL 94 V-0.
 1-2.Contacts:Copper Alloy
 1-3.Mid Plate:Stainless Steel
 1-4.Front Shell:Stainless Steel

2.Plating Specification:
 2-1.Contacts:Ni 50u" Min.Under Plated Over All
 1u"Au Plated On The Functional Area Of Contact
 1u"Au Plated On The Solder Area
 2-2.Front Shell:Ni 30u"Min Under Plated Over All.
 2-3.Shield &EMI Plate:Clear Only

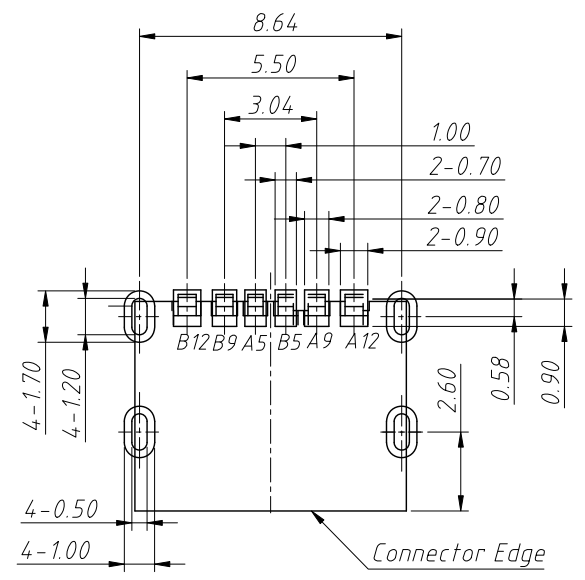
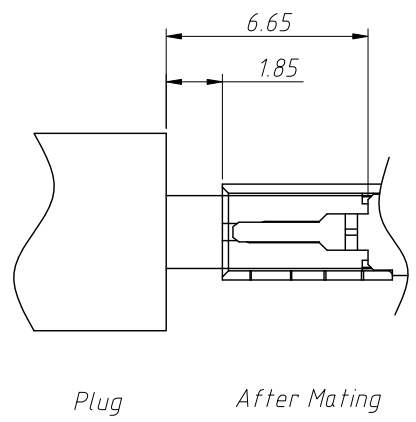
3.Mechanical:
 3-1.Insertion Force:0.5~2.0kgf
 3-2.Removal Force:0.8kgf~2.0kgf
 3-3.Durability:2000 Cycles

4.Electrical:
 4-1.Voltage Rating:5.0 V
 Current Rating:3.0 A
 4-2.LLCR:VBUS & Gnd Pins And Other Pins: 40mΩ/Pin Max
 Shield:50mΩ/Max
 LLCR Max.Change Of All Pins:10mΩ
 4-3.Insulation Resistance:100MΩ Min
 4-4.Dielectric Withstand Voltage,AC 100V For 1 Minute

5.Operating Temperature: -25°C~+85°C
 6.IR Reflow:The Peak Temperature On The Board Shall Be Maintained For 10 Seconds At 260°C



ANGLE TOLERANCE	PROJECTION	Description:	TYPE C Connector	
±3°				
GENERAL TOLERANCE	UNITS	mm	KLS P/N:	L-KLS1-5426
x.x ±0.20	SHEET SIZE	A4	1 OF 3	NingBo KLS ELECTRONIC CO.,L TD.
x.xx ±0.15	Draw:	Song	2023-08-01	
x.xxx ±0.08	Check:	Daniel	2023-08-01	



USB TYPE-C Pin Assignments

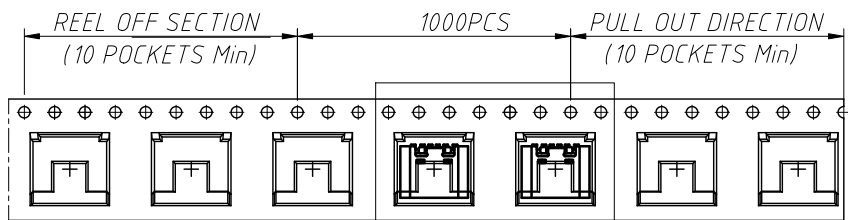
Pin	Signal Name	Pin	Signal Name
A5	CC1	B12	GND
A9	VBUS	B9	VBUS
A12	GND	B5	CC2

Recommended PCB Layout (Top View)
Thickness 1.6±0.10mm, Default Tolerance: ±0.05

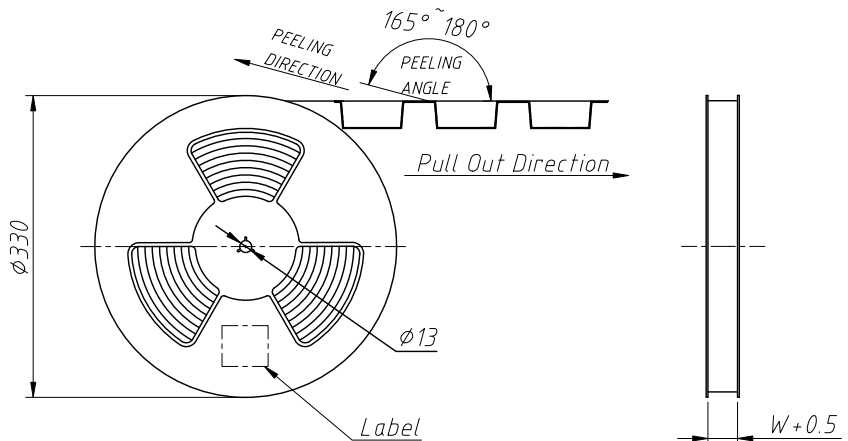
ANGLE TOLERANCE	PROJECTION	Description:	TYPE C Connector	
±3°				
GENERAL TOLERANCE	UNITS	mm	KLS P/N:	L-KLS1-5426
x.x ±0.20	SHEET SIZE	A4	Z OF 3	
x.xx ±0.15	Draw:	Song	2023-08-01	NingBo KLS ELECTRONIC CO.,L TD.
x.xxx ±0.08	Check:	Daniel	2023-08-01	

RoHS Compliance

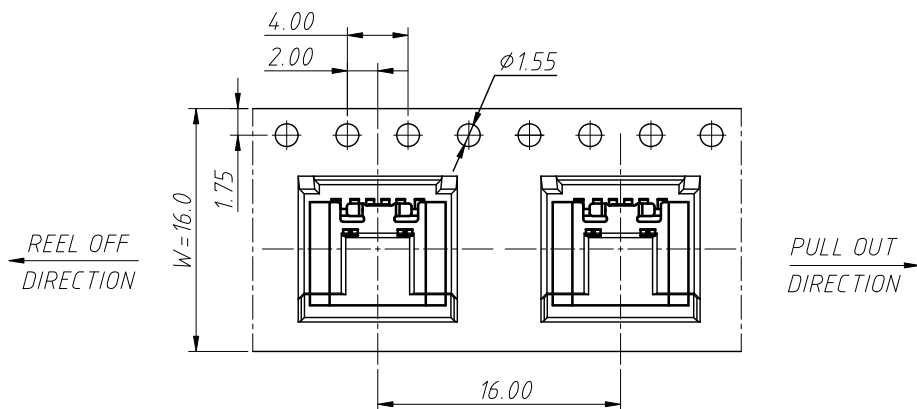
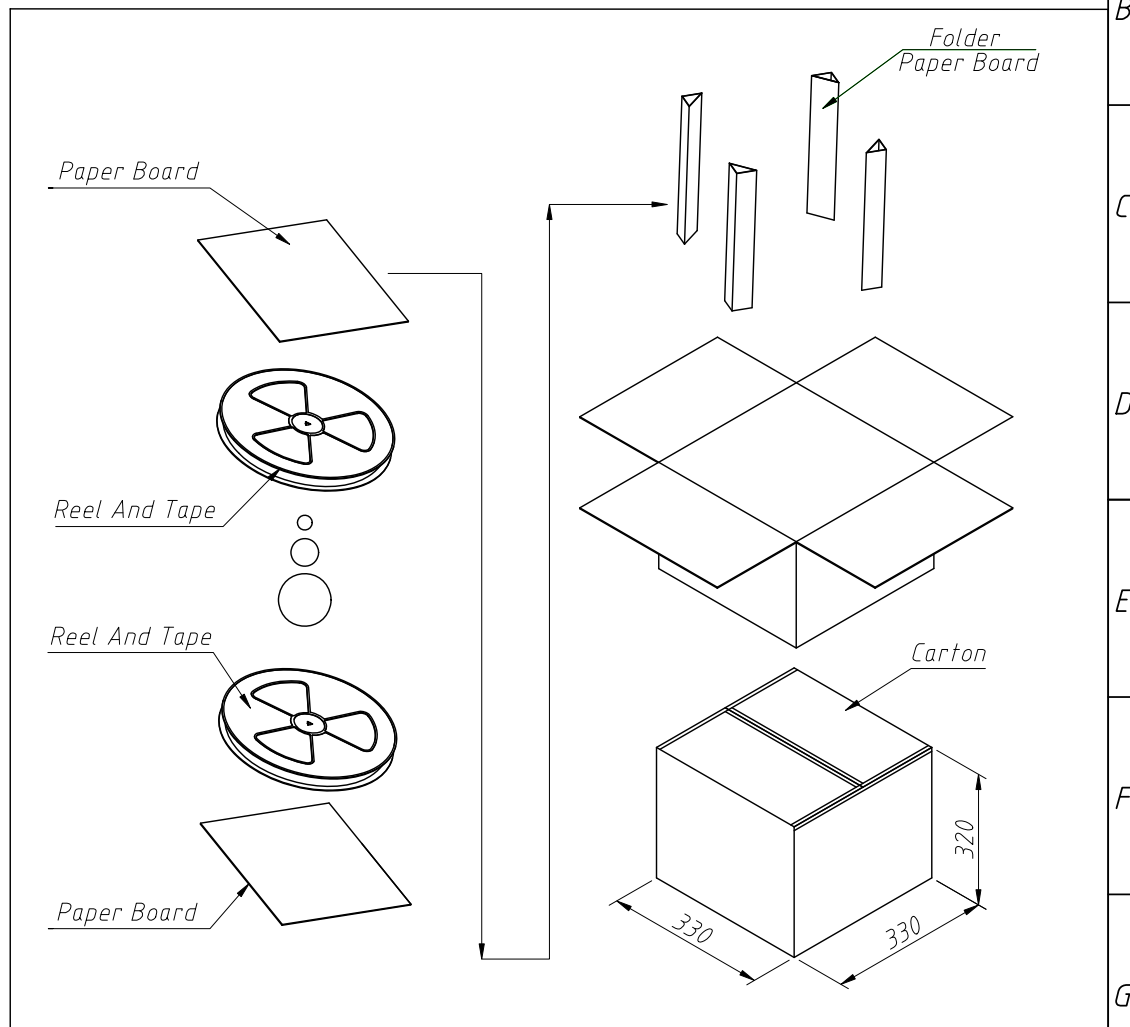
REV	SYM	Revision Record	Appr.	Date
V0	KLS01323	New Version Release	Song	2023-08-01



See Detail X



Packaging Diagram



Detail X (Scale 1:1)

ANGLE TOLERANCE	PROJECTION	Description:	TYPE C Connector	
±3°				
GENERAL TOLERANCE	UNITS	mm	KLS P/N:	L-KLS1-5426
x.x ±0.20	SHEET SIZE	A4	3 OF 3	NingBo KLS ELECTRONIC CO.,LTD.
x.xx ±0.15	Draw:	Song	2023-08-01	
x.xxx ±0.08	Check:	Daniel	2023-08-01	