

Tactile Switches

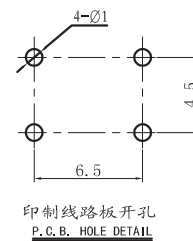
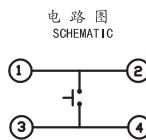
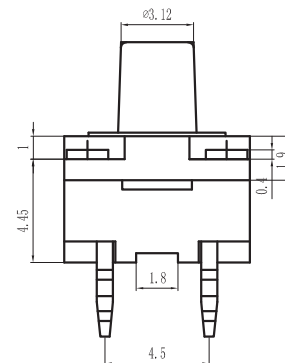
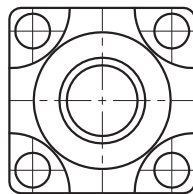
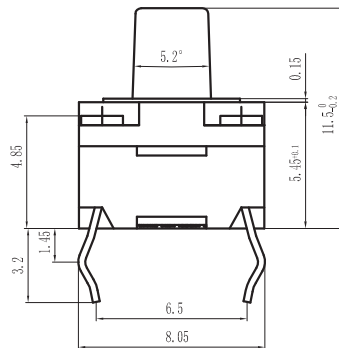
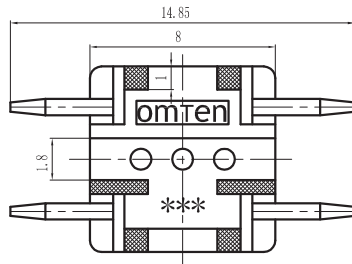
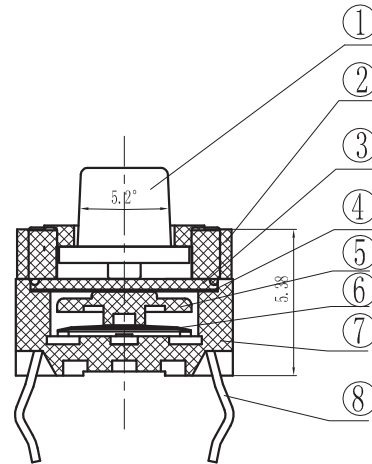
KLS7-TS8801 8×8mm Waterproof Tact Switch

Electrical:

1. Rating: 50mA 12V DC
2. Travel: 0.35±0.1mm
3. Contact Resistance :50mΩ Max
4. Electrically Life: 100000 cycles Min.
5. Operating Force: 320±100gf
6. Environment temperature: -30°C~+80°C

Materials:

1. Big Button: PA66, Black
2. Lap: PA66, Black
3. Waterproof Layer: Silica Gel, Black
4. Waterproof Membrane: Waterproof Tape, Yellow
5. Small Button: PA66, Black
6. Shrapnel: Silver Copper Complex T=0.05, Yellow
7. Foundation: PA66, Black
8. Terminal: H62Y, Silver-Whilte



ORDER INFORMATION

Product NO.: KLS7-TS8801-11.5-180-B

