

Tactile Switches

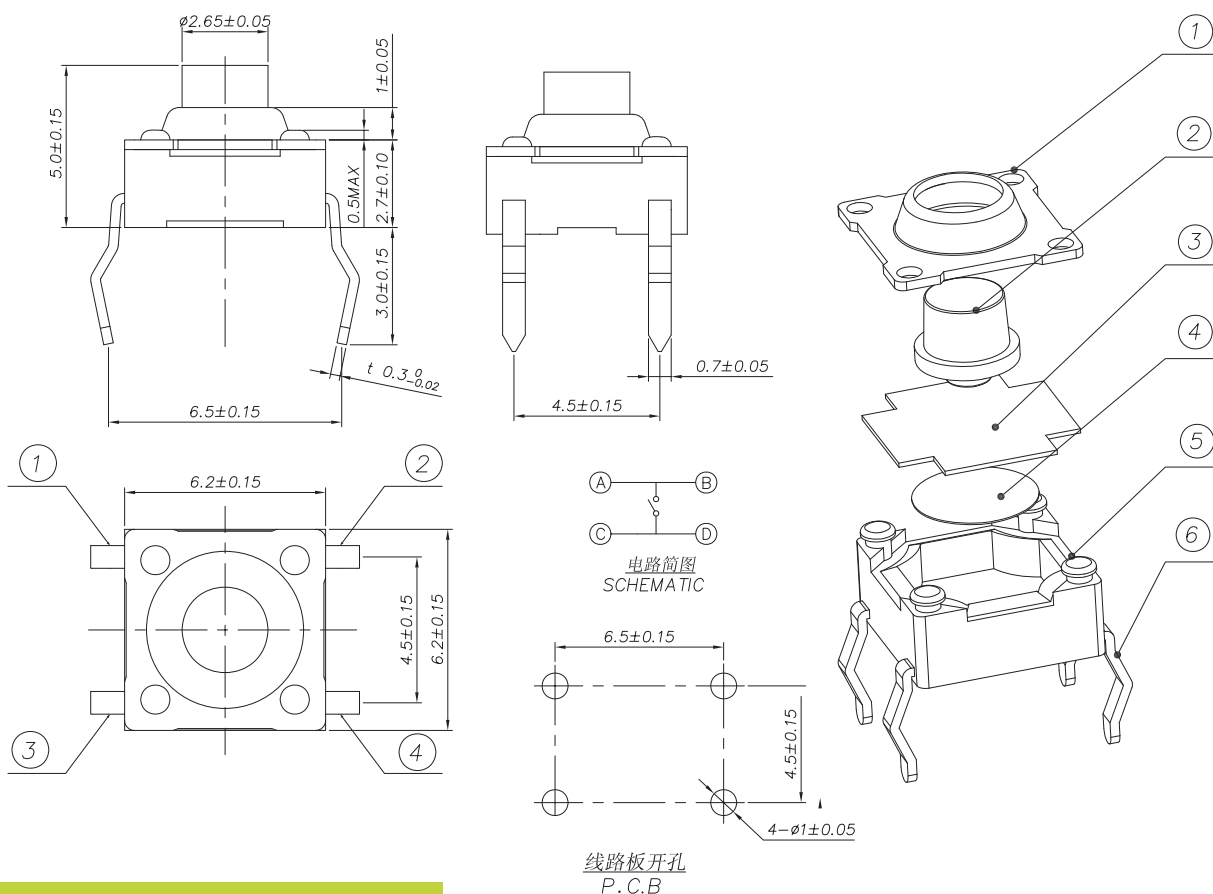
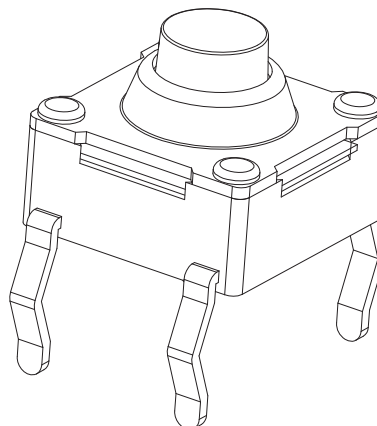
KLS7-TS6262 6.2x6.2mm Height:5mm pin water proof touch

Electrical:

1. Rating: 50mA 12V DC
2. Travel: 0.35±0.1mm
3. Contact Resistance : 100mΩ Max
4. Electrically Life: 100000 cycles Min.
5. Operating Force: 250±50gf
6. Environment temperature: -30°C~+80°C

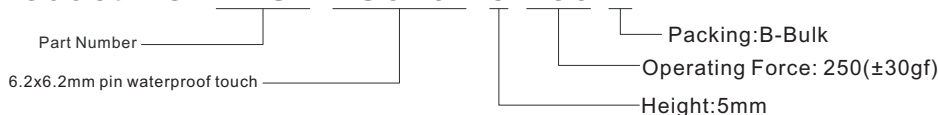
Materials:

1. Stretching Lap: Brass, copper, tin
2. Button: PPA, Red
3. Waterproof Layer: Silica Gel, Black
4. Shrapnel: Stainless steel
5. Foundation: PPA, Black
6. Terminal: Brass, silver-plated



ORDER INFORMATION

Product NO.: KLS7-TS6262-5-250-B



Tactile Switches

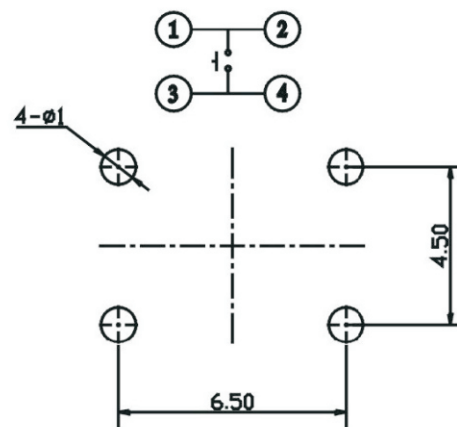
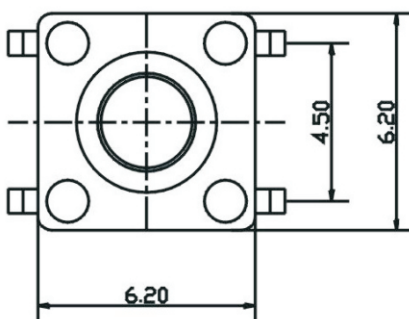
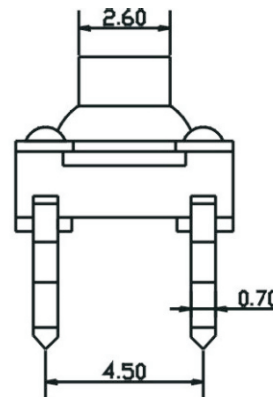
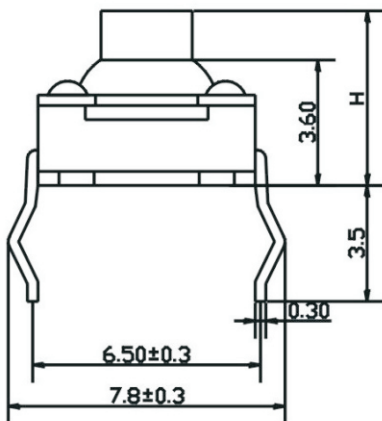
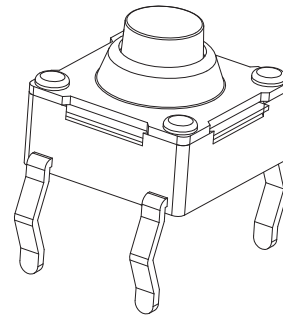
KLS7-TS6262 6.2x6.2mm Height:4.3mm pin waterproof touch

Electrical:

1. Rating: 50mA 12V DC
2. Travel: 0.35±0.1mm
3. Contact Resistance : 100mΩ Max
4. Electrically Life: 100000 cycles Min.
5. Operating Force: 250±50gf
6. Environment temperature: -30°C~+80°C

Materials:

1. Stretching Lap: Brass, copper, tin
2. Button: PPA, Red
3. Waterproof Layer: Silica Gel, Black
4. Shrapnel: Stainless steel
5. Foundation: PPA, Black
6. Terminal: Brass, silver-plated



ORDER INFORMATION

Product NO.: KLS7-TS6262-4.3-250-B

