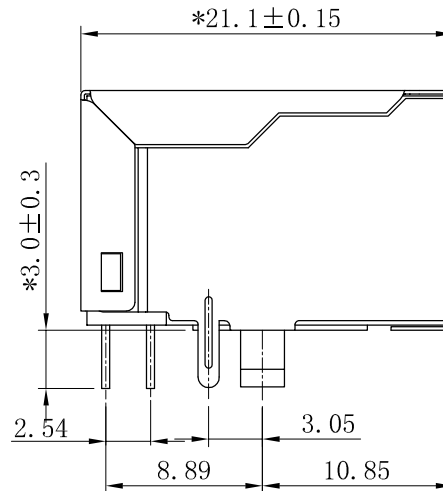
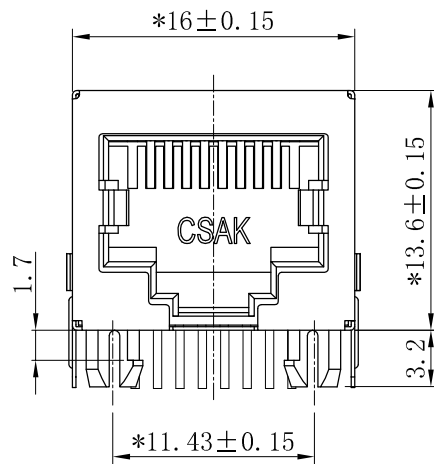
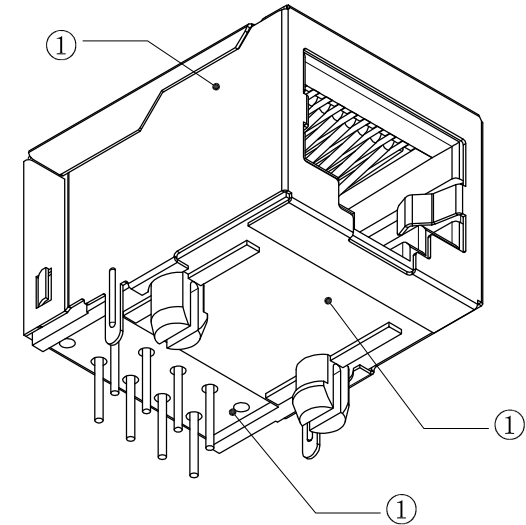
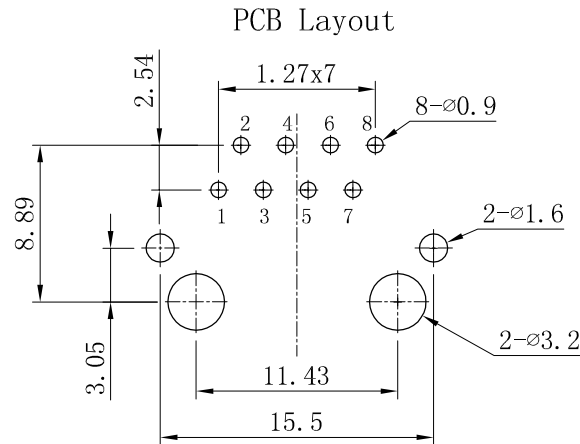
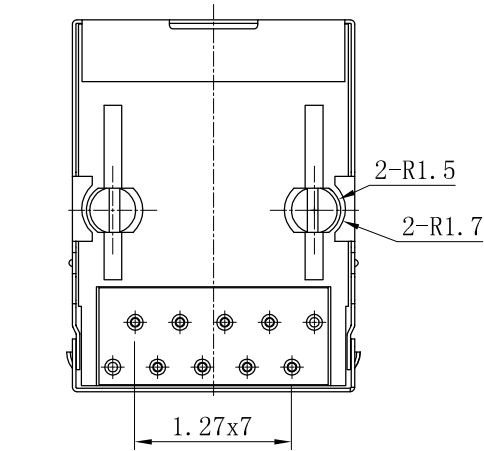


REV.	DESCRIPTION	DATA



DESCRIPTION:

1. OPERATION TEMPERATURE RANGE: -25°C TO 70°C;
2. CONTACT RESISTANCE: 30mΩ MAX;
3. INSULATION RESISTANCE: 1000MΩ MIN;
4. WITHSTAND VOLTAGE: 1000VAC 60S;
5. MECHANICAL ENDURANCE: 750 CYCLES MIN;
6. RECOMMENDED PCB THICKNESS: 1.6mm.

BOM				
NO.	PART NAME	DWG NO.	Q' TY	DESCRIPTION
1	HOUSING	5911.50.001	1	PBT (Black)
2	INSERT	5911.20.001	1	Contact Material: phosphor bronze gold plating 0.5μ", Ø0.46mm
3	SHIELD	5911.40.004	1	0.2mm nickel-plated brass

<b>CSAK</b> <sup>®</sup> ELECTRONICS CO., LTD		DESC:RJ45 1*1 10P8C 屏蔽 脚后3.05							
		PART Name 5911-08-100-401-01		DRAWING		P/N:5911.10.005.011			
TOLERANCES		CUSTOMER		CHECK		UNIT	SCALE	VIEW	REV.
0~6 : ±0.1						mm	1:1	☰	A0
6~30 : ±0.2									
30~120: ±0.3		CUST P/N		APPROVED					