

T-VET



Trelleborg Singlegate T-VET -grommets are for leading through both low and medium power current cables as well various types of tubing.

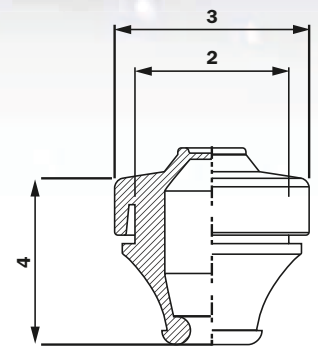
The grommets are suitable for indoor and outdoor applications. The grommet fits to openings made with dimensions of PG. Model T-VET has new double seal design where top side of the grommet is closed and is therefore possible to use as plug also.

Trelleborg Singlegate T-VET -grommets have alternative models for cables between diameters of 3 mm up to 35 mm. Wall thickness can be between 1 to 4 mm. The design gives IP67

protection against dust and strong jets of water and also against effects of immersion between 15 cm and 1 m.

Trelleborg Singlegate T-VET -grommets are available as standard of TPE-materials on table below. As request also other colours and materials like conductive EMC-material are available. More information of materials on page 17.

Trelleborg Singlegate T-VET-grommets are inspected and certified by SGS Fimko, the Finnish authority in charge of electrical equipment safety standards.



Code	Packing size	Material	Colour	Ral code	Classifications	Electrical number	Cable diameter	2	3	4	Plate thickness
100744	50	TPE EPDM	Grey	7042		1733328	3-5	13	20	17	1-4
100746	50	TPE EPDM	Grey	7035	UL 94;V-0	1733329	3-5	13	20	17	1-4
100747	50	TPE EPDM	Black		UL 94; V-0, Oil resistant (1.)	1733330	3-5	13	20	17	1-4
100186	50	TPE EPDM	Grey	7042		1733331	5-7	16	20	19	1-4
100749	50	TPE EPDM	Grey	7035	UL 94;V-0	1733332	5-7	16	20	19	1-4
100187	50	TPE EPDM	Black		UL 94; V-0, Oil resistant (1.)	1733333	5-7	16	20	19	1-4
100465	50	TPE EPDM	Grey	7042		1733334	7-10	19	24	21	1-4
100751	50	TPE EPDM	Grey	7035	UL 94;V-0	1733335	7-10	19	24	21	1-4
100188	50	TPE EPDM	Black		UL 94; V-0, Oil resistant (1.)	1733336	7-10	19	24	21	1-4
100189	50	TPE EPDM	Grey	7042		1733337	10-14	23	29	23	1-4
100190	50	TPE EPDM	Grey	7035	UL 94;V-0	1733338	10-14	23	29	23	1-4
100191	50	TPE EPDM	Black		UL 94; V-0, Oil resistant (1.)	1733339	10-14	23	29	23	1-4
100753	25	TPE EPDM	Grey	7042		1733340	14-20	29	34	26	1-4
100192	25	TPE EPDM	Grey	7035	UL 94;V-0	1733341	14-20	29	34	26	1-4
100193	25	TPE EPDM	Black		UL 94; V-0, Oil resistant (1.)	1733342	14-20	29	34	26	1-4
100194	25	TPE EPDM	Grey	7042		1733343	20-26	38	46	30	1-4
100755	25	TPE EPDM	Grey	7035	UL 94;V-0	1733344	20-26	38	46	30	1-4
100195	25	TPE EPDM	Black		UL 94; V-0, Oil resistant (1.)	1733345	20-26	38	46	30	1-4
100196	10	TPE EPDM	Grey	7042		1733346	26-35	48	57,5	33	1-4
100197	10	TPE EPDM	Grey	7035	UL 94;V-0	1733347	26-35	48	57,5	33	1-4
100198	10	TPE EPDM	Black		UL 94; V-0, Oil resistant (1.)	1733348	26-35	48	57,5	33	1-4

(1.) Material meets the requirements of UL 94, moderate oil resistance

VET



Trelleborg Singlegate VET -grommets are for leading through both low and medium power current cables as well various types of tubing.

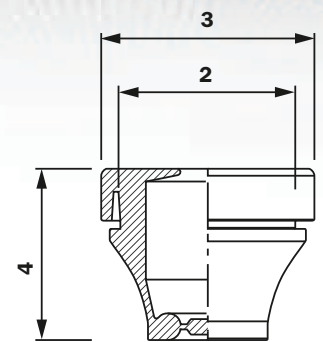
The grommets are suitable for indoor and outdoor applications. The grommets fits to openings made with dimensions of PG. Model VET has traditional double seal design where back side of the grommet is closed.

Trelleborg Singlegate VET -grommets have alternative models for cables between diameters of 3 mm up to 35 mm. Wall thickness can be between 1 to 4 mm. The design gives IP67 protection against dust and strong jets of water

and also against effects of immersion between 15 cm and 1 m.

Trelleborg Singlegate VET -grommets are available as standard of materials on table below. As request also other colours and materials like silicones and EMC-models are available. More information of materials on page 17.

Trelleborg Singlegate VET-grommets are inspected and certified by SGS Fimko, the Finnish authority in charge of electrical equipment safety standards.



Code	Packing sizes	Material	Colour	Ral code	Electrical number	Cable diameter	2	3	4	Plate thickness
100715	50	EPDM	Black		1733324	3-5	13.2	20	12,8	1-4
100716	50	EPDM	Grey	7042	1733325	3-5	13.2	20	12,8	1-4
104010	50	EPDM	Grey	7035	1733326	3-5	13,2	20	12,8	1-4
104011	50	CR Oil Resistant	Black		1733327	3-5	13,2	20	12,8	1-4
100306	50	EPDM	Black		1733320	5-7	16	20	20	1-4
100307	50	EPDM	Grey	7042	1733321	5-7	16	20	20	1-4
100308	50	EPDM	Grey	7035	1733322	5-7	16	20	20	1-4
100712	50	CR Oil Resistant	Black		1733323	5-7	16	20	20	1-4
100291	50	EPDM	Black		1733300	8-14	23	28	23,5	1-4
100292	50	EPDM	Grey	7042	1733301	8-14	23	28	23,5	1-4
100702	50	EPDM	Grey	7035	1733302	8-14	23	28	23,5	1-4
100293	50	CR Oil Resistant	Black		1733303	8-14	23	28	23,5	1-4
100295	50	EPDM	Black		1733304	7-10	19	24	21	1-4
100296	50	EPDM	Grey	7042	1733305	7-10	19	24	21	1-4
100703	50	EPDM	Grey	7035	1733306	7-10	19	24	21	1-4
100704	50	CR Oil Resistant	Black		1733307	7-10	19	24	21	1-4
100297	25	EPDM	Black		1733308	14-20	29	34	26	1-4
100298	25	EPDM	Grey	7042	1733309	14-20	29	34	26	1-4
100707	25	EPDM	Grey	7035	1733310	14-20	29	34	26	1-4
100299	25	CR Oil Resistant	Black		1733311	14-20	29	34	26	1-4
100300	25	EPDM	Black		1733312	20-26	38	46	30	1-4
100301	25	EPDM	Grey	7042	1733313	20-26	38	46	30	1-4
100709	25	EPDM	Grey	7035	1733314	20-26	38	46	30	1-4
100302	25	CR Oil Resistant	Black		1733315	20-26	38	46	30	1-4
100304	10	EPDM	Black		1733316	26-35	48	57,5	30	1-4
100305	10	EPDM	Grey	7042	1733317	26-35	48	57,5	30	1-4
100710	10	EPDM	Grey	7035	1733318	26-35	48	57,5	30	1-4
100711	10	CR Oil Resistant	Black		1733319	26-35	48	57,5	30	1-4