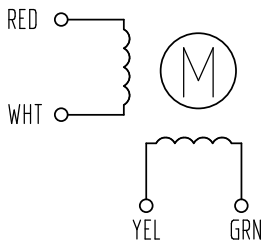


HIGH TORQUE HYBRID STEPPING MOTOR SPECIFICATIONS

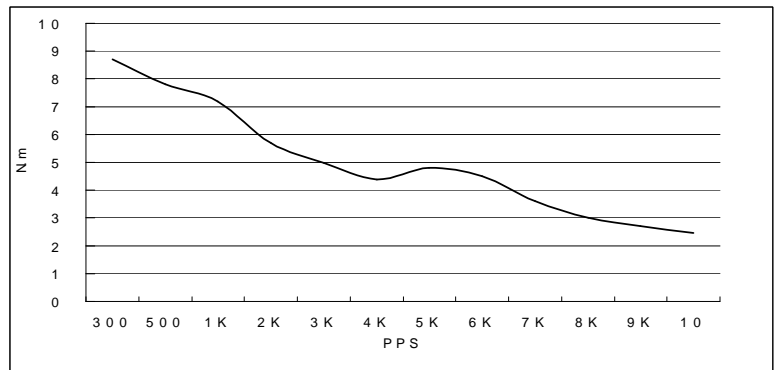
General specifications		Electrical specifications	
Step Angle (°)	1.8	Rated Voltage (V)	3.96
Temperature Rise (°C)	80 Max (rated current, 2 phase on)	Rated Current (A)	5.5
Ambient Temperature (°C)	-20 ~ +50	Resistance Per Phase ($\pm 10\% \Omega$)	0.72 (25°C)
Number of Phase	2	Inductance Per Phase ($\pm 20\% \text{ mH}$)	10.9
Insulation Resistance (M Ω)	100 Min (500VDC)	Holding Torque (N.m)	10.8
Insulation Class	Class B	Weight (Kg)	5
Max.radial force (N)	220 (20mm from the flange)		
Max.axial force (N)	60		

● Wiring Diagram :



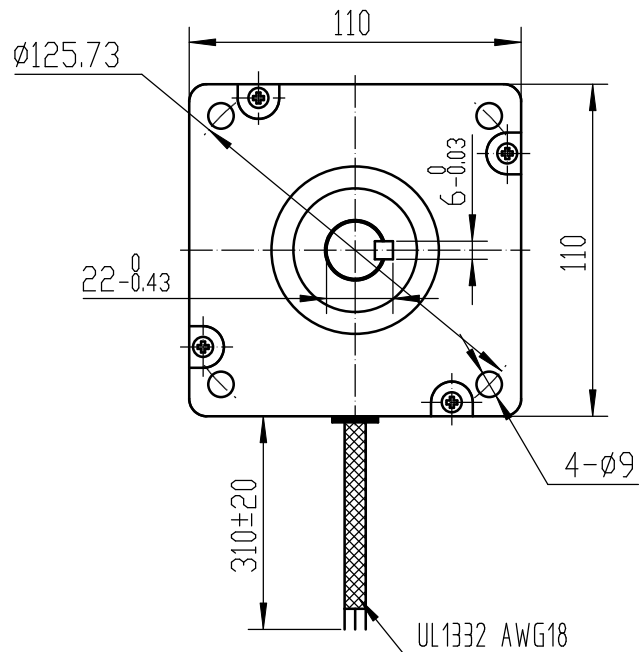
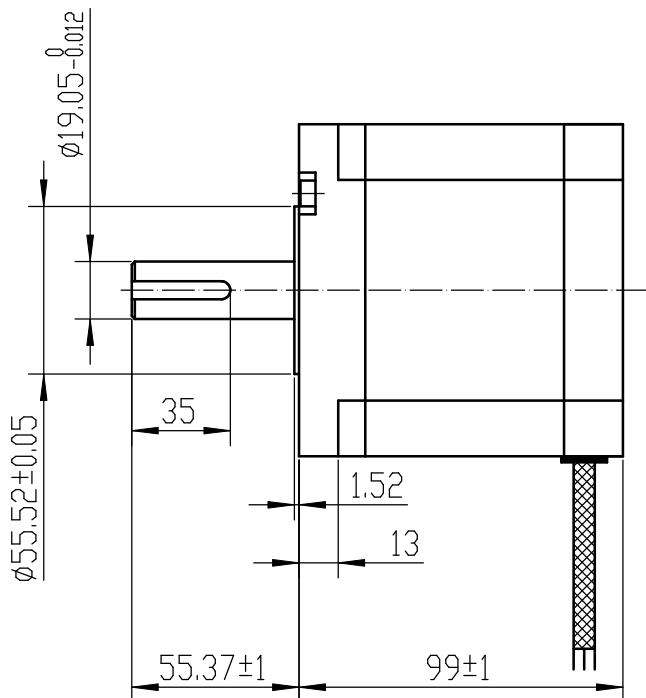
● Pull out torque curve :

VOLTAGE: 220VAC, CONSTANT CURRENT:5.4A, ZM-2H2080H HALF STEP



● Dimensions:

(unit=mm)



REV	REVISIONS	DESCRIPTION	BY	DATE	SYF110STH99-5504A	TECHNICAL CONDITIONS
DRAW	chen feng 2012/4/13				CHANGZHOU SONGYANG MACHINERY & ELECTRONICS NEW TECHNIC INSTITUTE	242099001
CHECK						
APPROVE						

This document was created with Win2PDF available at <http://www.daneprairie.com>.
The unregistered version of Win2PDF is for evaluation or non-commercial use only.