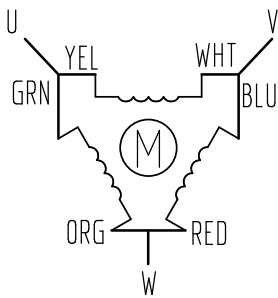


HIGH TORQUE HYBRID STEPPING MOTOR SPECIFICATIONS

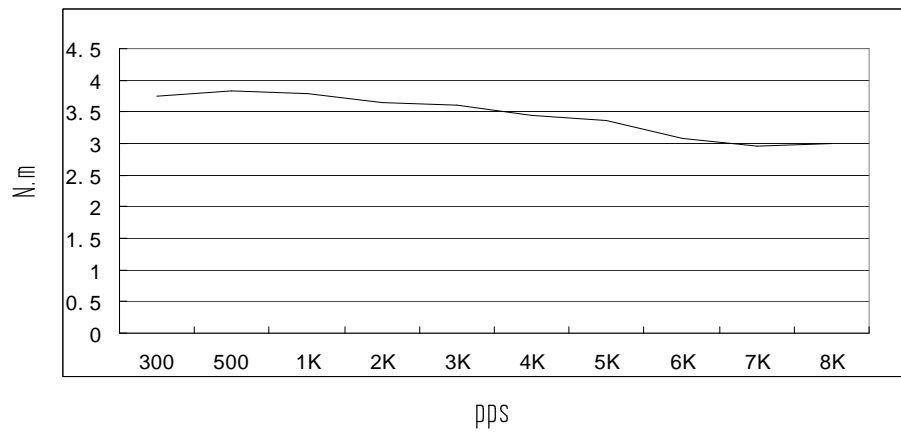
General specifications		Electrical specifications	
Step Angle (°)	1.2	Rated Voltage (V)	10.8
Temperature Rise (°C)	80 Max (rated current, 2 phase on)	Rated Current (A)	2
Ambient Temperature (°C)	-20 ~ +50	Resistance Per Phase ($\pm 10\%$ Ω)	5.4 (25°C)
Number of Phase	3	Inductance Per Phase ($\pm 20\%$ mH)	23
Insulation Resistance (M Ω)	100 Min (500VDC)	Holding Torque (N.m)	4.52
Insulation Class	Class B	Weight (Kg)	3.08
Max.radial force (N)	220 (20mm from the flange)		
Max.axial force (N)	60		

● Wiring Diagram :



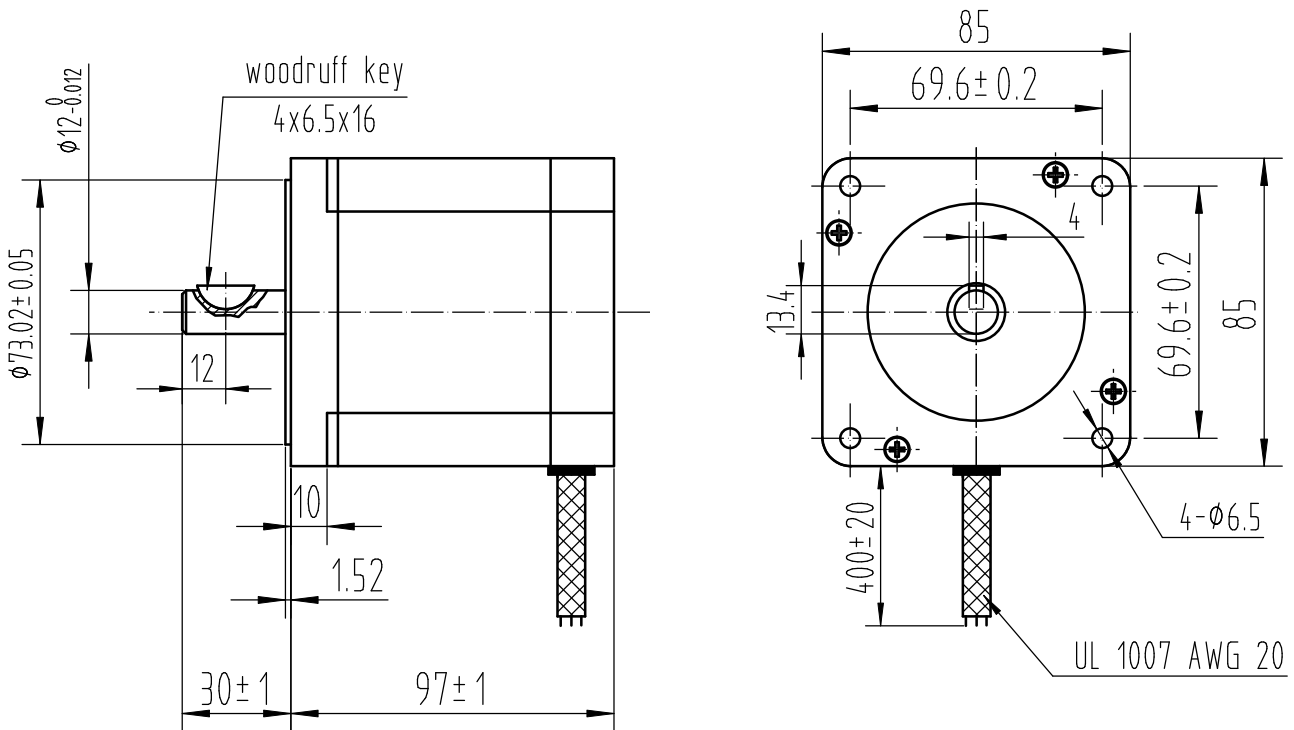
● Pull out torque curve :

VOLTAGE: 220VAC, CONSTANT CURRENT: 2A, MS-3H110M HALF STEP



● Dimensions:

(unit=mm)



					SY853P97-2006A	TECHNICAL CONDITIONS
REV	REVISIONS	DESCRIPTION	BY	DATE	CHANGZHOU SONGYANG MACHINERY & ELECTRONICS NEW TECHNIC INSTITUTE	120097013
DRAW	Cheng Feng	2010/07/21				
CHECK						
APPROVE						

This document was created with Win2PDF available at <http://www.daneprairie.com>.
The unregistered version of Win2PDF is for evaluation or non-commercial use only.