

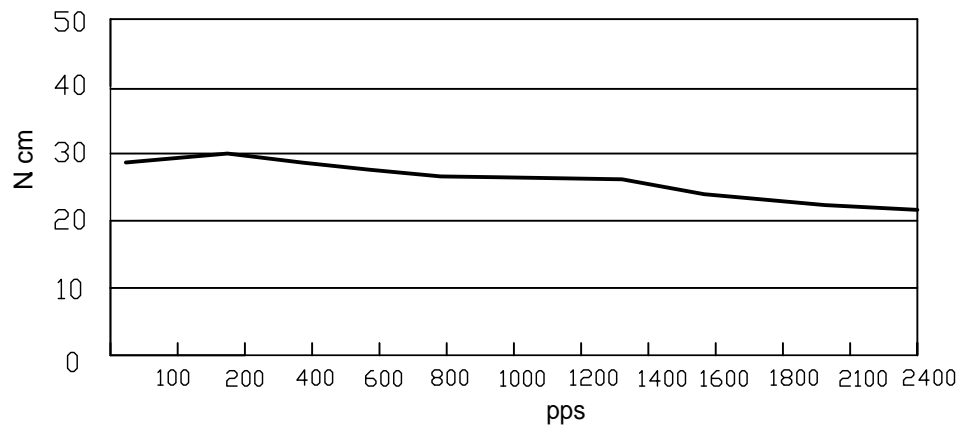
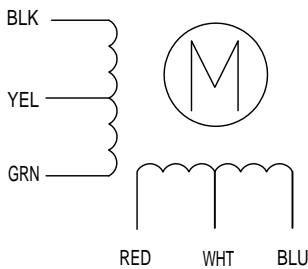
HIGH TORQUE HYBRID STEPPING MOTOR SPECIFICATIONS

General specifications		Electrical specifications	
Step Angle (°)	0.9	Rated Voltage (V)	12
Temperature Rise (°C)	80 Max (rated current, 2 phase on)	Rated Current (A)	0.4
Ambient temperature (°C)	-20~+50	Resistance Per Phase ($\pm 10\%$)	30 (25°C)
Number of Phase	2	Inductance Per Phase ($\pm 20\%$ mH)	38
Insulation Resistance	100M Ω , Min (500VDC)	Holding Torque (Kg.cm)	3.2
Insulation Class	Class B	Detent Torque (g.cm)	250
Max.radial force (N)	28 (20mm from the flange)	Rotor Inertia (g.cm ²)	68
Max.axial force (N)	10	Weight (Kg)	0.35

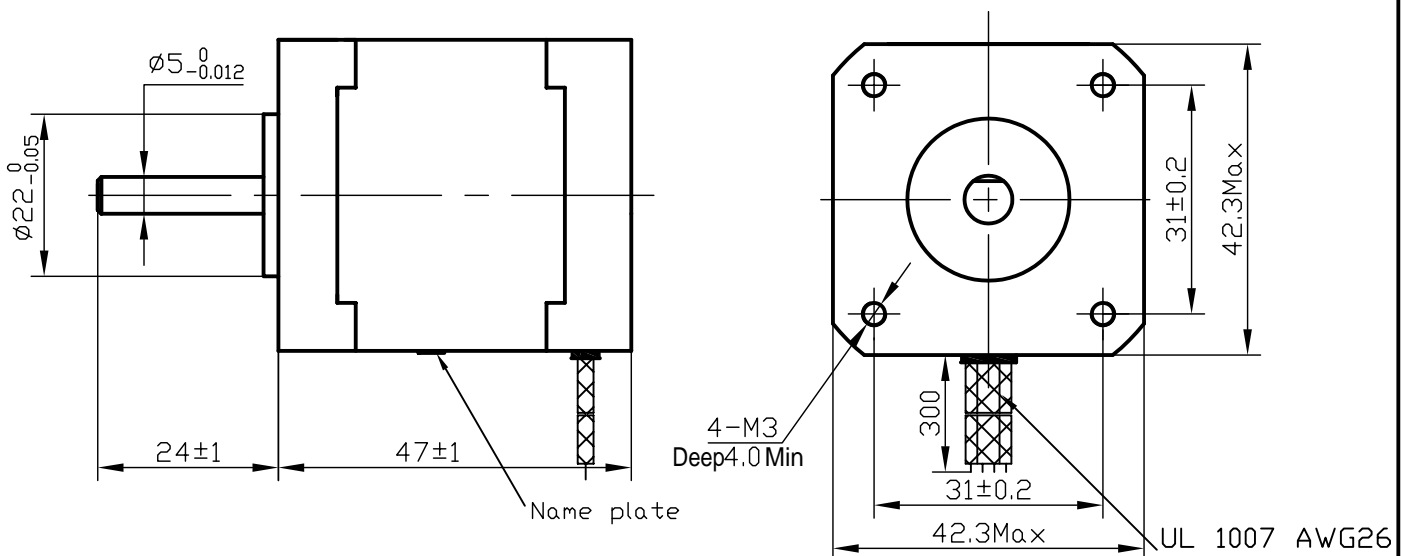
● Pull out torque curve:

VOLTAGE: 24VDC, CONSTANT CURRENT: 0.4A, HALF STEP

● Wiring Diagram:



● Dimensions:
(unit=mm)



△					SY42STH47-0406MA	TECHNICAL CONDITIONS
△						
REV	REVISIONS	DESCRIPTION	BY	DATE	CHANGZHOU SONGYANG MACHINERY & ELECTRONICS NEW TECHNIC INSTITUTE	050047002
DRAW	09.08.24					
CHECK						
APPROVE						