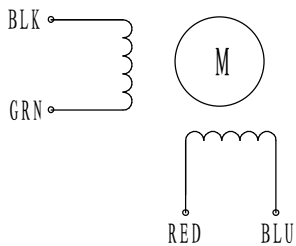


HIGH TORQUE HYBRID STEPPING MOTOR SPECIFICATIONS

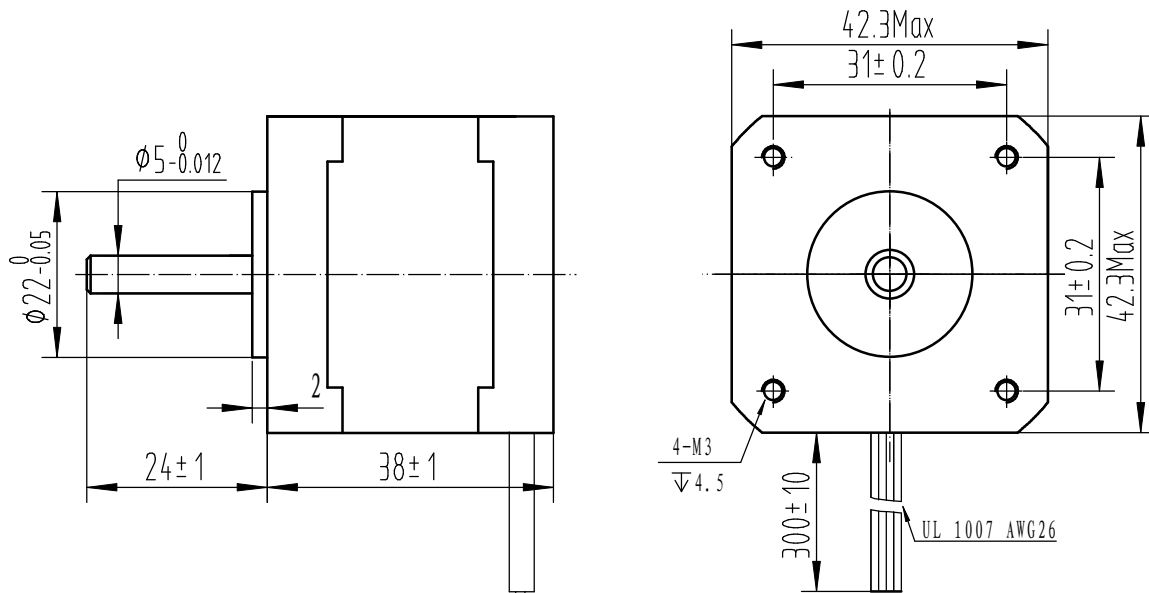
General specifications		Electrical specifications	
Step Angle (°)	0.9	Rated Voltage (V)	12
Temperature Rise (°C)	80 Max (rated current, 2 phase on)	Rated Current (A)	0.4
Ambient Temperature (°C)	-20~+50	Resistance Per Phase ($\pm 10\%$ Ω)	30
Number of Phase	2	Inductance Per Phase ($\pm 20\%$ mH)	30
Insulation Resistance (M Ω)	100 Min (500VDC)	Holding Torque (N.cm)	26
Insulation Class	Class B		
Max.radial force (N)	28 (20mm from the flange)		
Max.axial force (N)	10		

● Wiring Diagram :



● Dimensions:

(unit=mm)



REV	REVISIONS	DESCRIPTION	BY	DATE	SY42STH38-0404MA	TECHNICAL CONDITIONS
DRAW	2019.5.6				CHANGZHOU SONGYANG MACHINERY & ELECTRONICS NEW TECHNIC INSTITUTE	050038002
CHECK						
APPROVE						