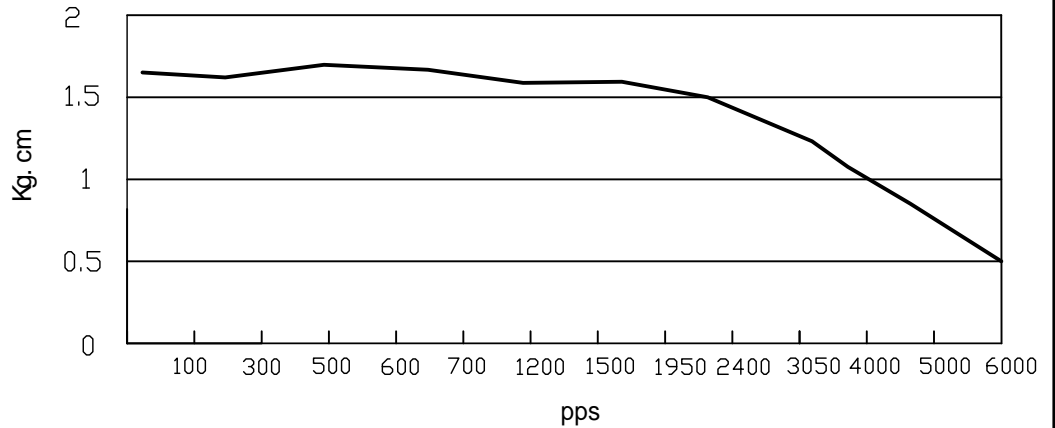


# HIGH TORQUE HYBRID STEPPING MOTOR SPECIFICATIONS

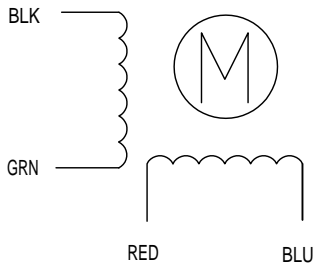
General specifications		Electrical specifications	
Step Angle (°)	0.9	Rated Voltage (V)	2.8
Temperature Rise (°C)	80 Max (rated current, 2 phase on)	Rated Current (A)	1.33
Ambient temperature (°C)	-20~+50	Resistance Per Phase ( $\pm 10\%$ )	2.1 (25°C)
Number of Phase	2	Inductance Per Phase ( $\pm 20\%$ mH)	4.2
Insulation Resistance	100 $\Omega$ , Min (500VDC)	Holding Torque (Kg.cm)	2.2
Insulation Class	Class B	Detent Torque (g.cm)	200
Max.radial force (N)	28 (20mm from the flange)	Rotor Inertia (g.cm <sup>2</sup> )	35
Max.axial force (N)	10	Weight (Kg)	0.22

● Pull out torque curve:

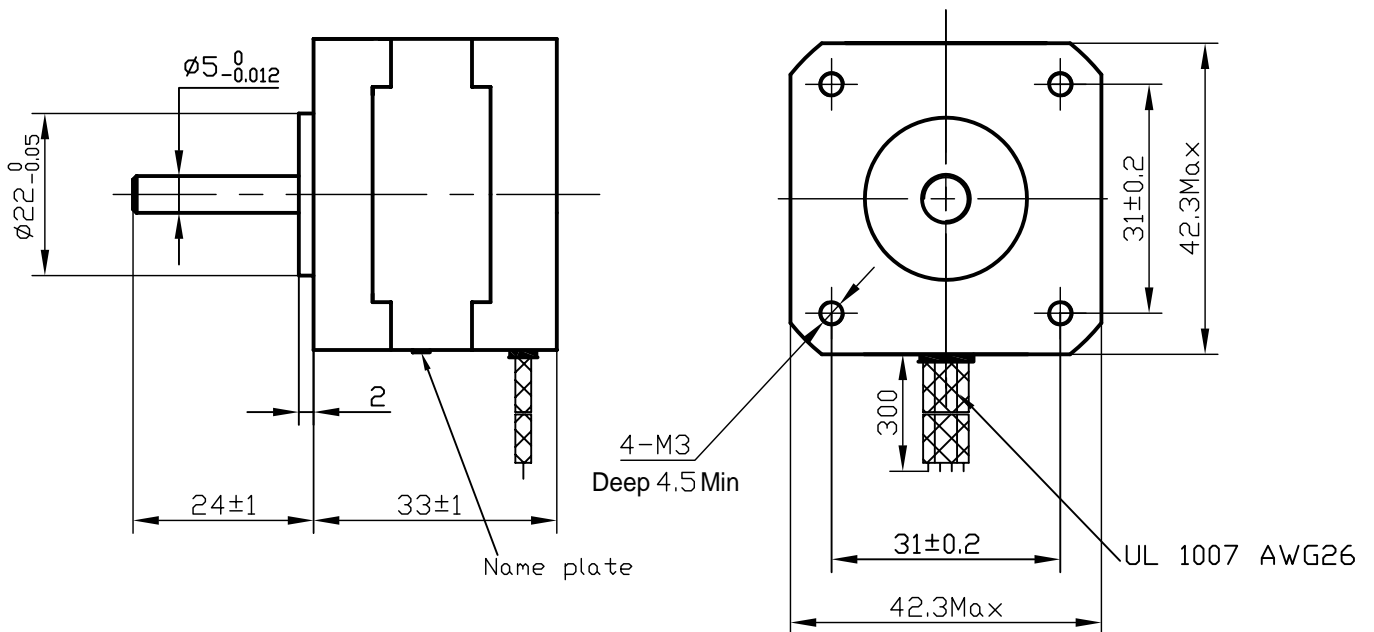
VOLTAGE: 28VDC, CONSTANT CURRENT: 1.33A, FULL STEP



● Wiring Diagram:



● Dimensions:  
(unit=mm)



△					SY42STH33-1334MA	TECHNICAL CONDITIONS
△						
REV	REVISIONS	DESCRIPTION	BY	DATE	CHANGZHOU SONGYANG MACHINERY & ELECTRONICS NEW TECHNIC INSTITUTE	050033003
DRAW	袁卫国					
CHECK						
APPROVE						