

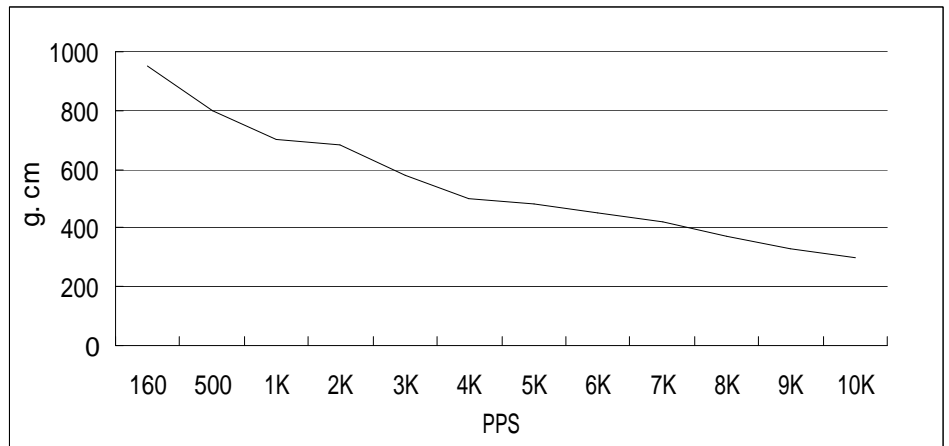
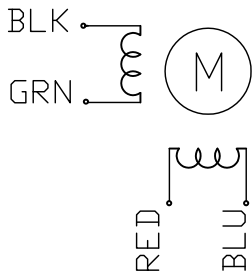
# HIGH TORQUE HYBRID STEPPING MOTOR SPECIFICATIONS

General specifications		Electrical specifications	
Step Angle (°)	1.8	Rated Voltage (V)	6.2
Temperature Rise (°C)	80 Max (rated current, 2 phase on)	Rated Current (A)	0.67
Ambient temperature (°C)	-20~+50	Resistance Per Phase (±10%)	9.2 (25°C)
Number of Phase	2	Inductance Per Phase (± 20% mH)	7.2
Insulation Resistance (MΩ)	100 Min (500VDC)	Holding Torque (g.cm)	1200
Insulation Class	Class B	Detent Torque (Kg.cm)	
Max.radial force (N)	28 (20mm from the flange)	Rotor Inertia (g.cm <sup>2</sup> )	18
Max.axial force (N)	10	Weight (Kg)	0.2

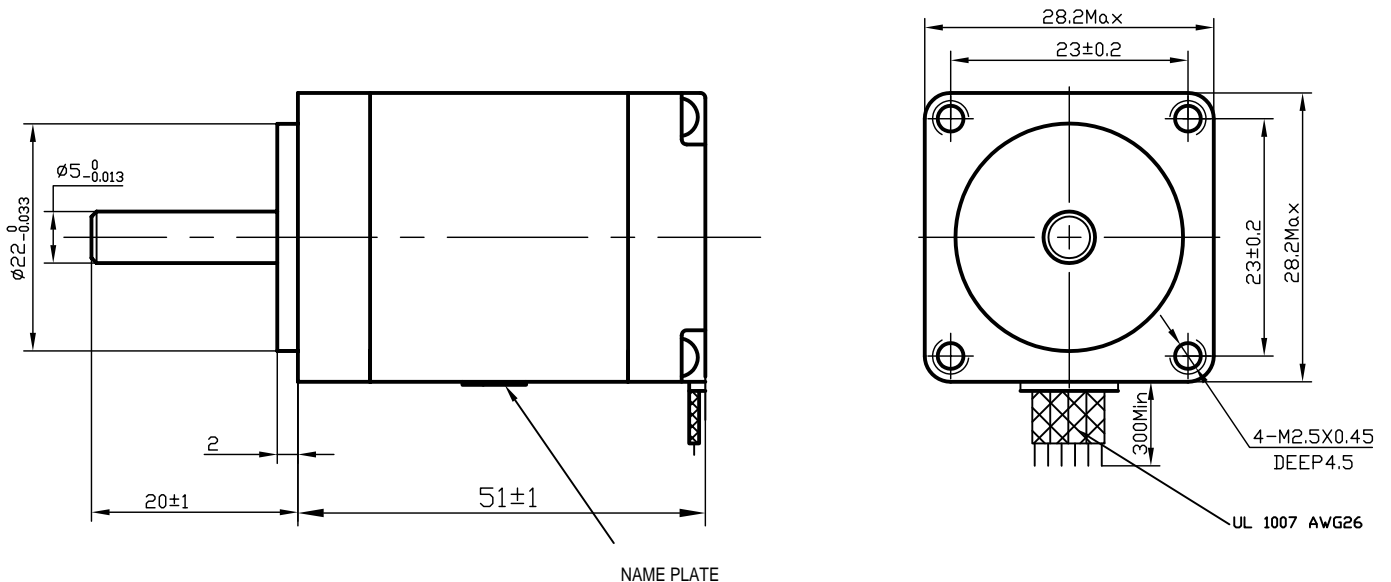
● Pull out torque curve:

VOLTAGE:24VDC, CONSTANT CURRENT:0.67A, HALF STEP

● Wiring Diagram:



● Dimensions:  
(unit=mm)



△					SY28STH51-0674A	TECHNICAL CONDITIONS
△						
REV	REVISIONS	DESCRIPTION	BY	DATE	CHANGZHOU SONGYANG MACHINERY & ELECTRONICS NEW TECHNIC INSTITUTE	020051001
DRAW						
CHECK						
APPROVE						

This document was created with Win2PDF available at <http://www.daneprairie.com>.  
The unregistered version of Win2PDF is for evaluation or non-commercial use only.