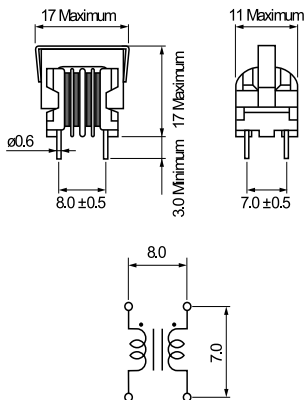


**KEMET Part Number: SU9VF-02100**  
(UALSU9VF021000, SU9VF/HF-02100)

KEMET, SU-9VF/9HF, AC Line Filters, Common Mode, 0.01 H



Dimensions	
L	17mm MAX
T	11mm MAX
H	17mm MAX
LL	3mm MIN
S	8mm +/-0.5mm

Packaging Specifications	
Packaging:	Tray
Packaging Quantity:	1000
Weight:	3.1 g

General Information	
Series:	SU-9VF/9HF
Style:	Through-Hole
RoHS:	Yes
Miscellaneous:	Temperature Rise Maximum: 40 K

Specifications	
Voltage AC:	250 VAC
Inductance:	10000 uH
Current:	200 mA
Temperature Range:	-25/+120°C
DC Resistance:	4 Ohms