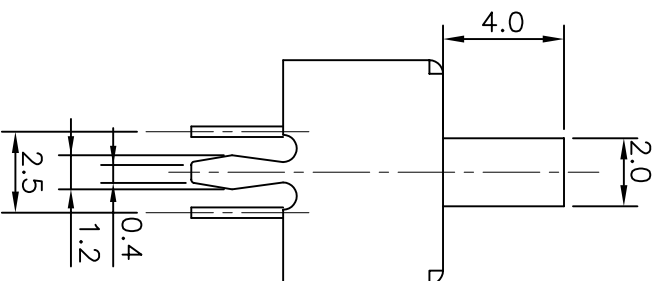
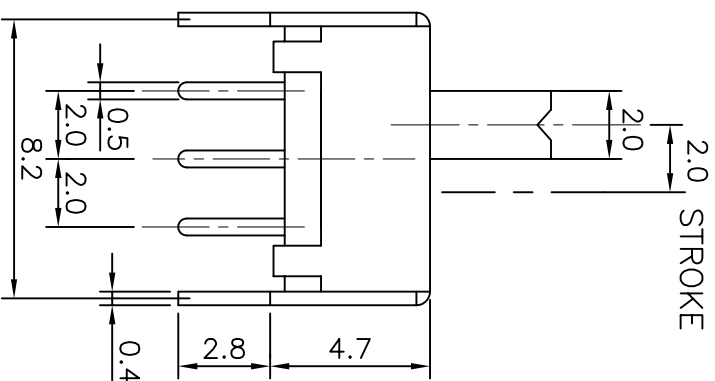


SCHEMATIC



Rated Voltage	30VDC
Rated Current	0.3A
Contact Resistance	≤50mΩ
Operating Force	200±150gf
Mechanical Life	30,000 cycles
Electrical Life	10,000 cycles
Insulation Resistance	≥100MΩ DC250V
Withstand Voltage	AC250V 1 minute
Soldering Temper.	245±5°C 3 Sec.
Ambient Temper. Used	-25°C to +75°C
Ambient Humidity Used	<85%RH

REVISION	DESCRIPTION	REVISED BY	TOLERANCES .X±0.2		ANGLE 1/2°	SCALE	UNIT	PART NAME	SPEC DRAWING	DWG NO
△			DRAWN BY	吳美玉	DESIGNED BY	ERIC	mm	SS008B		WS0028A
△			CHECKED BY		APPROVED BY					
△	2005.01.07 換新圖框 重新發圖	吳美玉				DATE	2005.01.07	PART NO	SS008B-02P-22	