

# SPECIFICATION



## **LIAN DUNG**

ELECTRIC WIRE MATERIAL CO., LTD

聯東電線材料股份有限公司

# APPROVED

台灣台中市豐原區三豐路 957-16 號  
No.957-16 San Feng Rd. Feng Yuan DIST.,  
Taichung City, Taiwan  
TEL : 04-25270346 FAX : 886-4-25270348  
[http : //www.liandung.com.tw](http://www.liandung.com.tw)  
E-mail : [liandung@liandung.com.tw](mailto:liandung@liandung.com.tw)

客戶名稱 : (CUSTOMER NAME)

TME

客戶料號 : (CUSTOMER PART NO.)

SN14-2/07/1.8BK、SN14-2/07/1.8WH

PLUG : LT-207+503

CORD : H03VVH2-F 2x0.75mm<sup>2</sup> BLK、WHT 2m

ISSUE : LD-QA-1011154

DATE : NOV-23-2012

|   |  |   |  |   |     |
|---|--|---|--|---|-----|
| 核 |  | 審 |  | 製 | 曾群閔 |
| 准 |  | 核 |  | 表 |     |

# 1. PVC FLEXIBLE CORD

## 1.1 SCOPE

This specification shall be in accordance with **IEC 227**

**Polyvinyl chloride insulated cables of rated voltages up to and including 450/750 V**

## 1.2 CONSTRUCTION

|            |                                                          |
|------------|----------------------------------------------------------|
| CONDUCTOR  | ANNEALED COPPER WIRE                                     |
| INSULATION | PVC(Blue, Brown,)<br>MEAN VALUE OF THICKNESS : MIN.0.5mm |
| SHEATH     | PVC<br>MEAN VALUE OF THICKNESS : MIN.0.6mm               |

| ITEM                               | UNIT         | SPEC.VALUE       |                    |
|------------------------------------|--------------|------------------|--------------------|
| RATED VOLTAGE ( U <sub>0</sub> /U) | V/V          | 300/300          |                    |
| NO. OF CORE                        | NO.          | 2                |                    |
| CONDUCTOR                          | NOMINAL AREA | mm <sup>2</sup>  | 0.75               |
|                                    | CONSTRUCTION | NO/mm            | 30/0.18 or 24/0.20 |
| THICKNESS OF INSULATION            | mm           | 0.5              |                    |
| THICKNESS OF SHEATH                | mm           | 0.6              |                    |
| NOMINAL OVERALL DIAMETER           | mm           | 3.4±0.15x5.6±0.2 |                    |
| CONDUCTOR RESISTANCE(AT 20°C)      | ohm/km       | 26.0(Max.)       |                    |
| TEST VOLTAGE                       | V/min        | 2000/15          |                    |

## 1.3 SOURCE FOR FLEXIBLE CORD

- ☆ LIAN DUNG
- ☆ RHYTHM
- ☆ I-SHENG

## 2. PLUG

### 2.1 SCOPE

The plug shall be in accordance with **EN 50 075** · **CEE 7-Standard Sheet XVI**  
Specification for Plugs and Socket-Outlets for Domestic and Similar Purposes  
2.5A 250V Two-Pole Plug for Class II Appliances

### 2.2 CONSTRUCTION

The plug construction shall be in accordance with our Catalogue  
NO.LT-207

### 2.3 CHARACTERISTICS

| NO | TEST ITEM                  | SPEC. VALUE                                                                                                                                                                                                                                                                                                                              | TEST RESULTS               |
|----|----------------------------|------------------------------------------------------------------------------------------------------------------------------------------------------------------------------------------------------------------------------------------------------------------------------------------------------------------------------------------|----------------------------|
| 1. | Moisture resistance test   | Samples are kept in a humidity cabinet containing air with a relative humidity between 91 to 95% and a temperature of 20~30°C for a duration of 48 hours.                                                                                                                                                                                | No damage                  |
| 2. | Electric strength test     | A voltage of A.C.2000V is applied for 1min.after the moisture resistance test.                                                                                                                                                                                                                                                           | No flashover and breakdown |
| 3. | Insulation resistance test | This test is measured with a D.C.500V after the moisture resistance test.                                                                                                                                                                                                                                                                | Min 5 M Ohm                |
| 4. | Normal operation test      | The plug is inserted into and withdraw from the socket-outlets 5000 times at rated current. And they shall withstand an electric strength.                                                                                                                                                                                               | Withstand 1500v/1min       |
| 5. | Temperature rise test      | An alternating current of 10A is passed through poles for 1 hours.                                                                                                                                                                                                                                                                       | Max.45°C at any points     |
| 6. | Bending test               | The samples shall be loaded with a weight of 10N(1.02kg) and the oscillating number shall be moved backward and forward through an angle of 90°(45°on either side of the vertical) the number of flexing being 10,000.The rated current of plug is passed through the conductors.After the test, the voltage drop shall not exceed 10mv. | No damage                  |

| NO  | TEST ITEM                                         | SPEC. VALUE                                                                                                                                                                                                                                                     | TEST RESULTS |
|-----|---------------------------------------------------|-----------------------------------------------------------------------------------------------------------------------------------------------------------------------------------------------------------------------------------------------------------------|--------------|
| 7.  | Tumbling test                                     | The samples are dropped from a height of 50cm onto a steel plate (3mm thick) for a total of 1000 times.                                                                                                                                                         | No damage    |
| 8.  | Cold impact test                                  | The samples are kept in a refrigerator at a temperature of $-15\pm 2^{\circ}\text{C}$ , for at least 16 hours<br>The samples are then allowed to fall by the hammer from a height of 10cm.                                                                      | No damage    |
| 9.  | Abrasion test                                     | The pin of sample slopes downwards at angles of 10 to the horizontal. The sample is loaded with a force of 4N(0.41kg) on the pin. The number of movement is 10000, and the length of pin subjected to abrasion is approximately 7mm over the insulating collar. | No damage    |
| 10. | Heat deformation test                             | The samples are kept for 1 hour in a heating cabinet at temperature of $100\pm 5^{\circ}\text{C}$ .                                                                                                                                                             | No damage    |
| 11. | Heat pressure test                                | The samples are applied 20N(2.04kg) at a temperature of $80\pm 2^{\circ}\text{C}$ for 1 hr.                                                                                                                                                                     | No damage    |
| 12. | Aging test                                        | The samples are kept for 168 hours in a heating cabinet at temperature of $80\pm 2^{\circ}\text{C}$ .                                                                                                                                                           | No damage    |
| 13. | Deformation resistance at higher temperature test | The test temperature is $70^{\circ}\text{C}$ for 6 hours. The test weight is 1N(0.11kg).<br>The diameter of the ball impression shall not be greater than 3mm.                                                                                                  | No damage    |
| 14. | Pressure test                                     | The samples are applied 300N(30.6kg) at a temperature of $20\pm 2^{\circ}\text{C}$ for 1min.                                                                                                                                                                    | No damage    |

### 3.CONNECTOR

#### 3.1 SCOPE

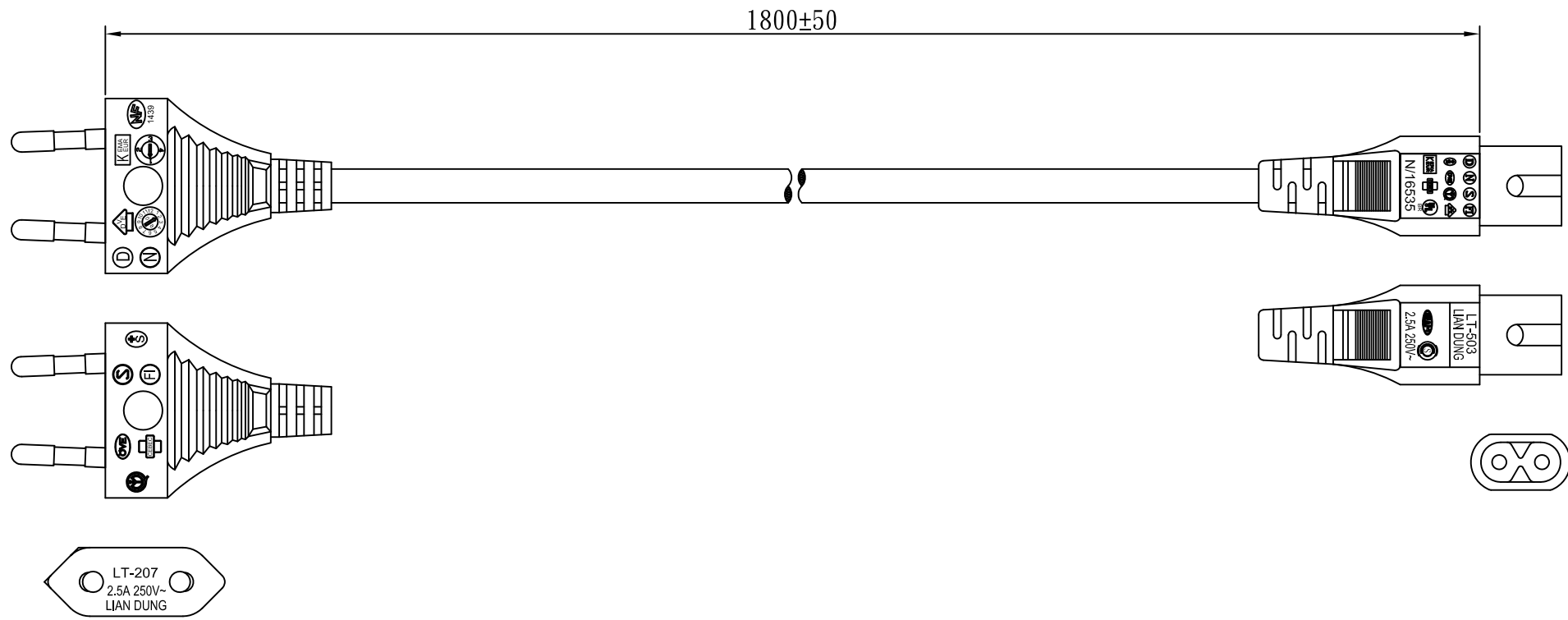
The connector shall be in accordance with **IEC PUBLICATION 60320-1**  
Two-pole connector for class II appliances, **Standard sheet C 7**

#### 3.2 CONSTRUCTION

The connector construction shall be in accordance with our Catalogue  
**NO.LT-503**

#### 3.3 CHARACTERISTICS

| NO | TEST ITEM                                  | SPEC. VALUE                                                                                                                                                                                                                                                               | TEST RESULTS               |
|----|--------------------------------------------|---------------------------------------------------------------------------------------------------------------------------------------------------------------------------------------------------------------------------------------------------------------------------|----------------------------|
| 1. | Moisture resistance test                   | Samples are kept in a humidity cabinet containing air with a relative humidity between 91 to 95% and a temperature of 20~30°C for a duration of 48 hours.                                                                                                                 | No damage                  |
| 2. | Electric strength test                     | A voltage of A.C.2000V is applied for 1 min. after the moisture resistance test.                                                                                                                                                                                          | No flashover and breakdown |
| 3. | Insulation resistance test                 | This test is measured with a D.C.500V after the moisture resistance test.                                                                                                                                                                                                 | Min.5 M Ohm.               |
| 4. | Flexing test                               | The sample shall be loaded with a weight of 10N(1.02kg) and the oscillating number shall be moved backward and forward through an angle of 90°(45°on either side of the vertical) the number of flexing being 20,000. The sample is turned through 90°after 5000 flexing. | No damage                  |
| 5. | Tumbling test                              | The samples are drop from a height of 50cm onto a plywood base(10mm thick) for a total of 1000 times                                                                                                                                                                      | No damage                  |
| 6. | Cold test                                  | The samples are kept in a refrigerator at a temperature of -15±2°C, for 1 hour.                                                                                                                                                                                           | No damage                  |
| 7. | Heat Deformation test                      | The samples are kept for 1 hour in a heating cabinet at temperature of 70±2°C.                                                                                                                                                                                            | No damage                  |
| 8. | Forces necessary to insert and to withdraw | Max. withdrawal force : 50N<br>Connector shall not remain<br>Min. withdrawal forces : 10N<br>Connector shall not come out                                                                                                                                                 | < 50N<br><br>> 10N         |



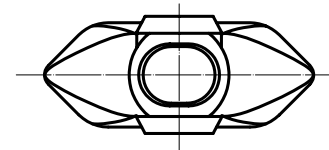
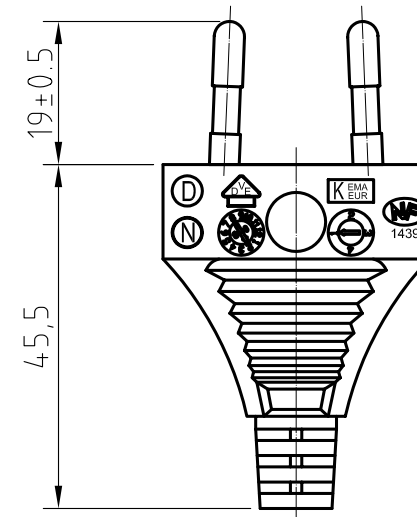
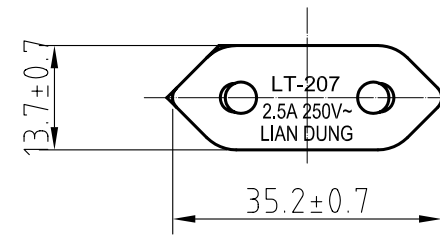
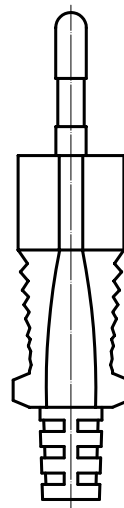
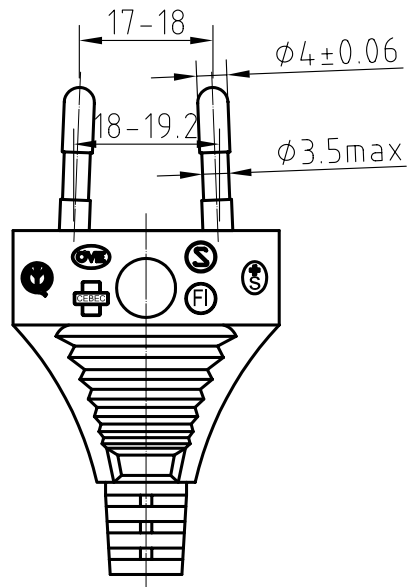
NOTE :

1. PLUG : LT-207 EUROPEAN TYPE
2. CONNECTOR : LT-503 IEC-320 C7
3. CORD : H03VVH2-F 2X0.75mm<sup>2</sup> BLK 1.8m
4. APPROVALS : LCIE KEMA VDE DEMKO NEMKO SEV SEMKO FIMKO OVE CEBEC IMQ
5. CUSTOMER : TME
6. Supplier for flexible cord : LIAN DUNG、RHYTHM、I-SHENG
7. P/N : SN14-2/07/1.8BK、SN14-2/07/1.8WH

|      |             |      |         |        |                      |          |        |            |
|------|-------------|------|---------|--------|----------------------|----------|--------|------------|
| 3.   |             |      | DRAWER  | Qunmin | DATE                 | 12/11/23 | TITLE  | LT-207+503 |
| 2.   |             |      | APPROVE |        | REV.                 | 1        | Dr.No. | 1011154    |
| 1.   |             |      |         | 比例     |                      |          | TOL.   | ±5mm       |
| PART | DESCRIPTION | DATE |         |        | ALL DIMENSIONS IN mm |          |        |            |



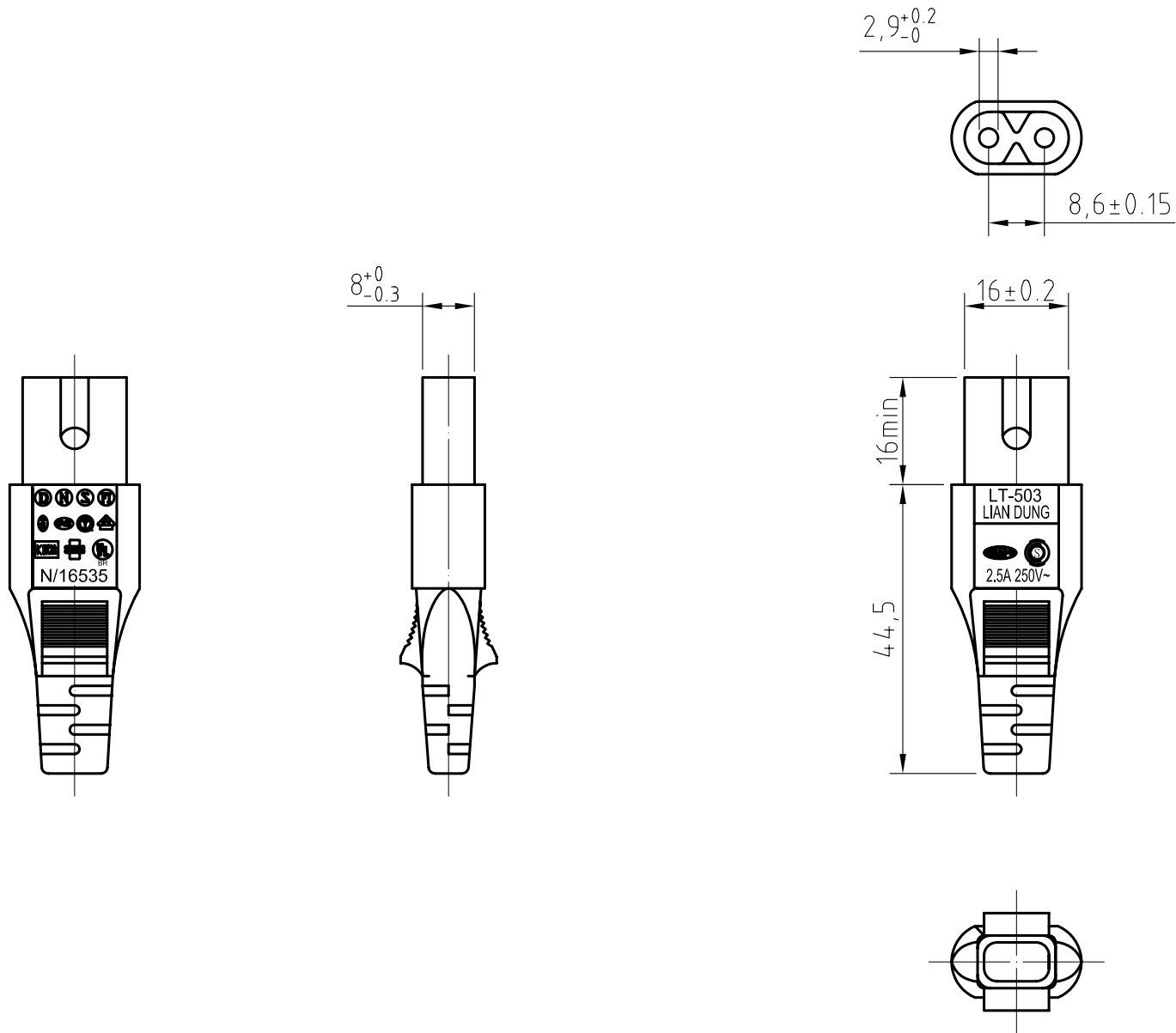
**LIAN DUNG**  
**ELECTRIC WIRE MATERIAL CO.,LTD.**  
 聯東電線材料股份有限公司



| PART | DESCRIPTION | DATE                 | DRAWER  | 葉惠菁 | DATE | 08/07/09 | TITLE  | LT-207  |
|------|-------------|----------------------|---------|-----|------|----------|--------|---------|
| 1.   |             |                      | APPROVE |     | REV. | 5        | Dr.No. | C207001 |
| 2.   |             |                      |         | 比例  | 1:1  | TOL.     | ±1.2mm |         |
| 3.   |             | ALL DIMENSIONS IN mm |         |     |      |          |        |         |



**LIAN DUNG**  
ELECTRIC WIRE MATERIAL CO.,LTD.  
聯東電線材料股份有限公司



| PART | DESCRIPTION | DATE                 | DRAWER  | 葉惠菁 | DATE  | 08/04/22 | TITLE  | LT-503-CB |
|------|-------------|----------------------|---------|-----|-------|----------|--------|-----------|
| 1.   |             |                      | APPROVE |     | REV.  | 5        | Dr.No. | C503003   |
| 2.   |             |                      |         | 比例  | 1 : 1 | TOL.     |        | ±1.2mm    |
| 3.   |             | ALL DIMENSIONS IN mm |         |     |       |          |        |           |



**LIAN DUNG**  
 ELECTRIC WIRE MATERIAL CO.,LTD.  
 聯東電線材料股份有限公司