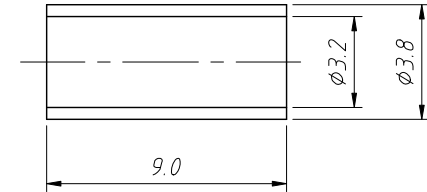
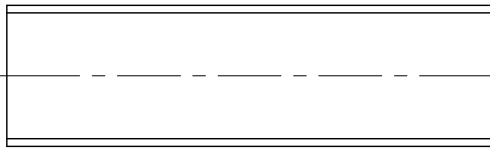
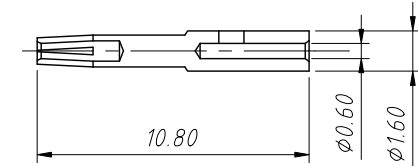
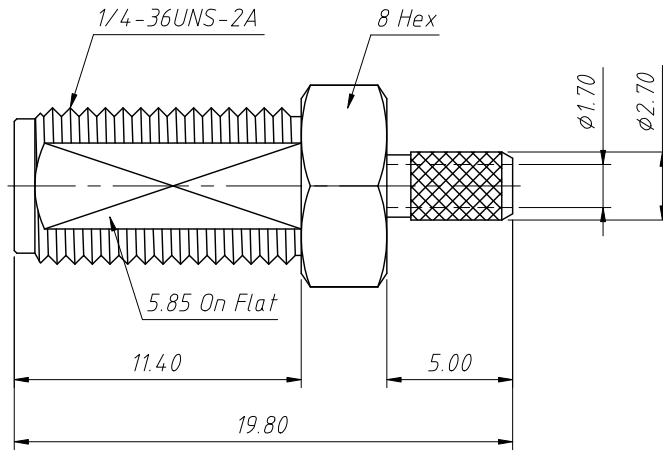
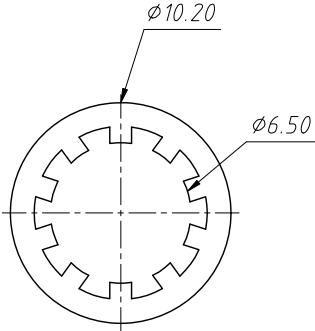
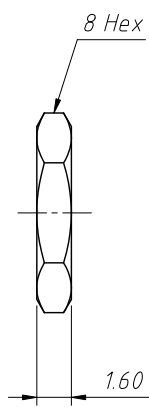
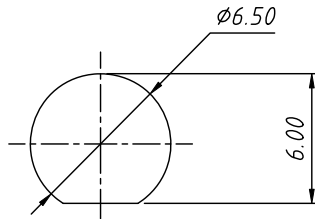


RoHS Compliance

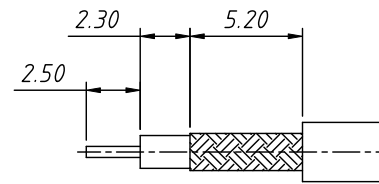


**Material:**  
 Body:Brass,Gold Plating  
 Contact Pin:Ber.Copper,Gold Plating  
 Insulator:PTFE,Natural  
 Lock Washer:Brass,Gold Plating  
 Hex Nut:Brass,Gold Plating  
 Ferrule:Copper,Gold Plating  
 Heat Shrink Tubing:Blak

**Note:**  
 Impedance:50Ω  
 Crimped Ferrule Hex Crimp Size 3.83  
 Contact Pin To Solder  
 Max. Panel Thickness=3.2mm



Recommended Mounting Hole



Recommended Cable Stripping Dim's

ANGLE TOLERANCE	PROJECTION	Description:	Panel Mount SMA Cable Connector Straight (Jack,Female,50Ω)
±3°			
GENERAL TOLERANCE	UNITS	mm	KLS P/N: L-KLS1-SMA010
x.x ±0.30	SHEET SIZE	A4	
x.xx ±0.20	Draw:	Daniel	2020-11-11
x.xxx ±0.10	Check:	Daniel	2020-11-11



NingBo KLS ELECTRONIC CO.,L TD.