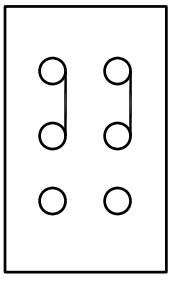
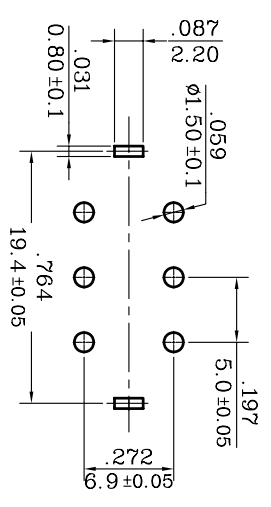
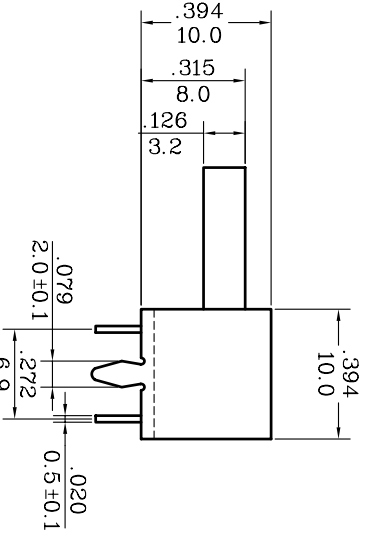
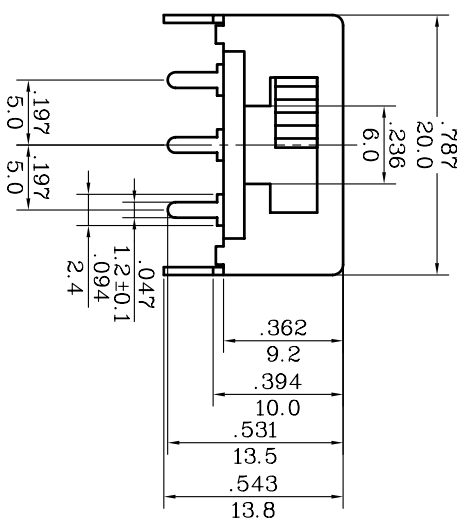
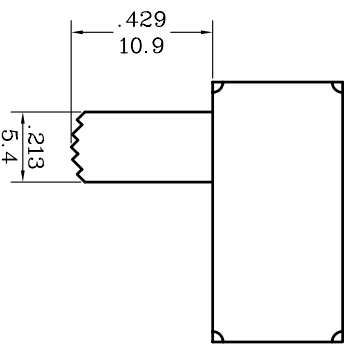


嘉尼企業股份有限公司 CANAL ELECTRONIC CO., LTD.

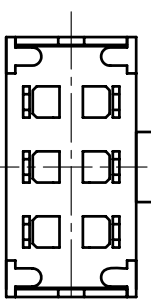
SCHEMATIC DIAGRAM



SLIDE SWITCH MODEL SL13  
 RATING: 1A 125VDC  
 CIRCUIT: DOUBLE POLES DOUBLE THROW  
 CONTACT RESISTANCE: 20mΩ (MAX)  
 DIELECTRIC STRENGTH: 1000VAC FOR 1 MINUTE  
 CYCLE: 100,000  
 OPERATION FORCE: 300±200g



P.C. BOARD HOLE



NOTE: 1. TOLERANCES UNLESS OTHERWISE SPECIFIED:  $\pm 0.12$  (in/mm)  
 2. IT IS IN COMPLIANCE CANAL ROHS SPECIFICATION: WI-QA-24



REVISION	DESCRIPTION	REVISED BY	TOLERANCES: X	XX	ANGLE: $\frac{1}{2}^\circ$	SCALE	UNIT	PART NAME	PART NO	DWG NO
△			馮紅崗	馮紅崗	馮紅崗	5/3	mm	SL13規格圖		S1265A
△			CHECKED BY	APPROVED BY	DATE					
△	2006.02.24	更換圖框, 重新出圖	盧小輝		2003.03.05			SL13-(212)C		