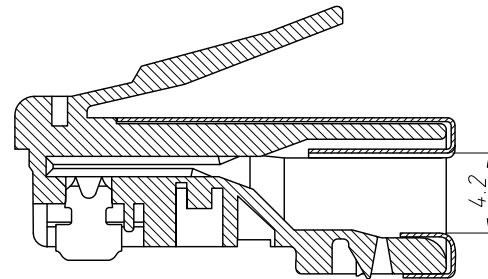
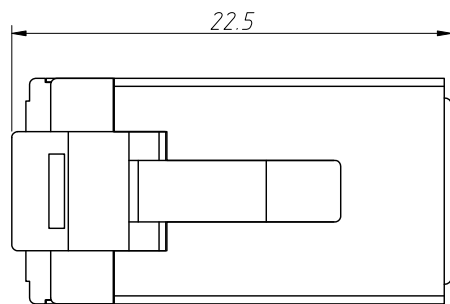
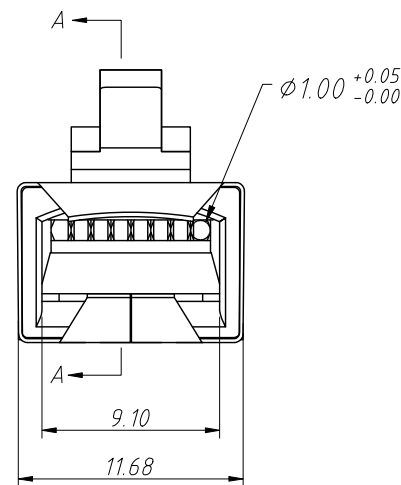


1 RoHS Compliance



Material:
 Housing: Polycarbonate, Transparent
 UL 94 V-0 or UL 94 V-2
 Contact: Brass, Gold Plating
 Shield: Brass T=0.25mm, Nickel Plating
 Electric:
 Rated Current: 125 V AC, 1.5A@25°C
 Contact Resistance: 20mΩ Max.
 Insulation Resistance: 500MΩ Min, 100V DC/min
 Withstand voltage: 1000V AC/1 minute
 No Breakdown

SECTION A-A

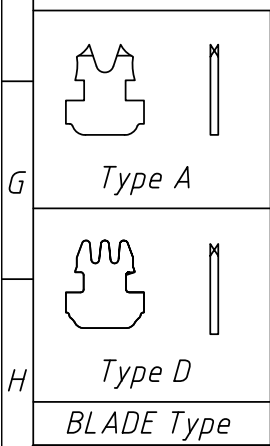
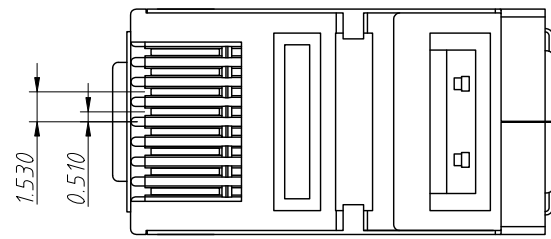
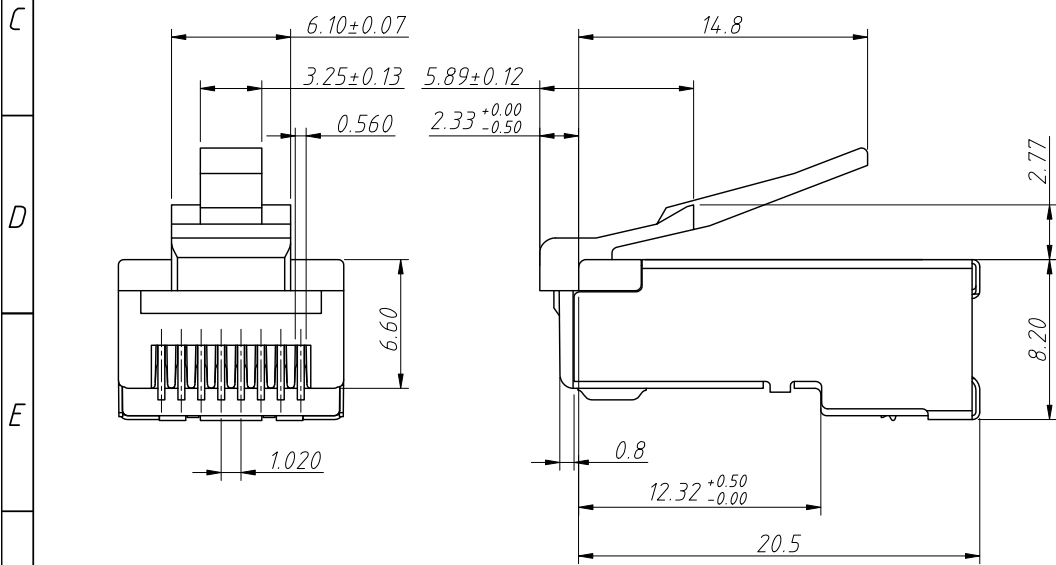


Mechanical:
 Insertion Force: 30N Max.
 Withdrawal Force: 30N Max.
 Durability: 750 Cycles Min.
 Operation Temperature: -40°C ~ +85°C

ORDER INFORMATION:

L-KLS12 - RJ45B - 8P8C - xx X X-XX

RoHS
 Point No.
 Gold Plating:
 01-Fu" gold plating
 02-3u" gold plating
 03-6u" gold plating
 15-15u" gold plating
 30-30u" gold plating
 50-50u" gold plating
 BLADE type:
 Flammability:
 Blank - UL94V-2 0 - UL94V-0
 Shield Code:
 Blank- Brass shield 01-SPCC Shield



ANGLE TOLERANCE	PROJECTION		Description:
±3°			FTP CAT5E 8P8C Modular plugs
GENERAL TOLERANCE	UNITS	mm	KLS P/N:
x.x ±0.20	SHEET SIZE	A4	L-KLS12-RJ45B-8P8C-xxXX-XX
x.xx ±0.10	Draw:	Daniel	2023-06-08
x.xxx ±0.05	Check:	Daniel	2023-06-08

