

TELEPHONE PART

Modular Plugs Series

KLS12-RJ12-6P6C

MATERIAL

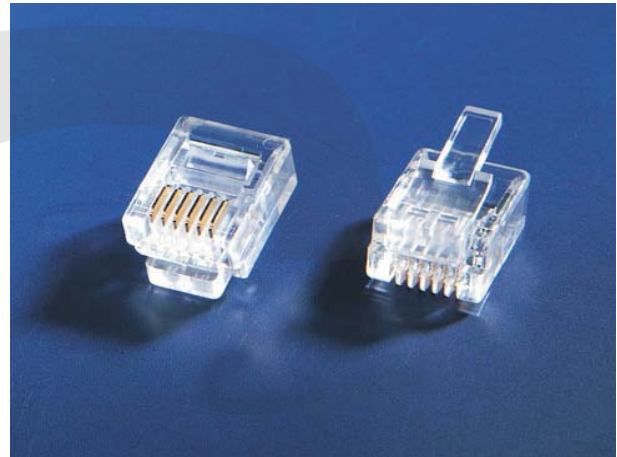
1. Housing :Polycarbonate(pc) UL 94V-0 or UL 94V-2
2. Contact :Phosphor Bronze,Hard Gold plated over nickel
- 3.Shieldinjc:0.25mm Thickness Copper Alloy With Tin plated
- 4.Gold plating:3u inch,6u inch,15u inch,30u inch,50u inch

ELECTRICAL

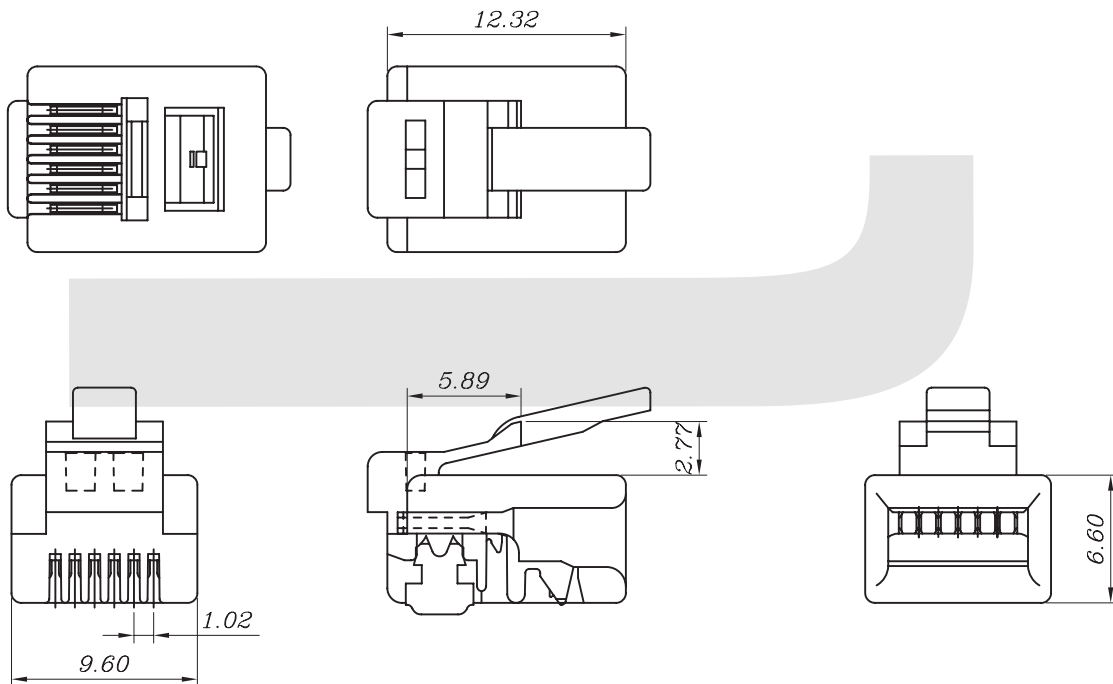
- 1.Current Rating:1.5 Amps
- 2.Voltage Rating:125 Volts AC
- 3.Insulation Resistance:100 Megohms Min.
- 4.Contact Resistance:39 Millmhos Max.
- 5.Withstanding Voltage:1000VAC RMS 50Hz or 60Hz 1 Min.

MECHANICAL

CABLE TO PLUG TENSILE STRENGTH:7.7Kg MINI
DURABILITY:750MATING CYCLES MINI
WORKING TEMPERATURE:-40°C ~60°C



XII



ORDER INFORMATION

KLS12-RJ12 - 6P6C XX - X X

Part Number

Point NO.	Gold Thickness	Gold style	Color
6P6C Point	01-Fu"	E = 2 forks	Transparent or other
6P4C Point	02-3u"	Z = 3 forks	
6P2C Point	03-6u"		
	04-15u"		
	05-30u"		
	06-50u"		