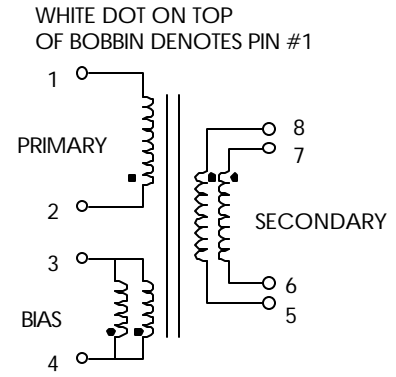


TABLE 1: ELECTRICAL SPECIFICATIONS AT 25 °C

SWITCHING TRANSFORMER DESIGNED FOR USE WITH POWER INTEGRATIONS TOP224P, (IS T1 ON RD5 DEMO BOARD). REFER TO APPLICATION CIRCUIT OF FIGURE 3.

PARAMETER	SPEC LIMITS			UNITS
	MIN.	TYP.	MAX.	
PRIMARY INDUCTANCE (2-1) VOLTAGE = 0.250Vrms FREQUENCY = 100 KHZ	585	650	715	μHY
TURN RATIO'S: SEC (8,7-6,5) : PRIMARY (2-1) BIAS (4-3) : PRIMARY (2-1)	-----	1: 8.375	-----	± 4%
PRI LEAKAGE IND. (SEC SHORTED) VOLTAGE = 0.250Vrms FREQUENCY = 100 KHZ	-----	-----	36.0	μHY
HIPOT: PRIMARY TO SECONDARY BIAS TO SECONDARY	3000 3000	----- -----	----- -----	Vrms Vrms
APP CIRCUIT PARAMETERS: (1) AC LINE VOLTAGE 47/400 Hz OUTPUT VOLTAGE OUTPUT CURRENT CONTINUOUS OUTPUT CURRENT PEAK LINE REGULATION (85 TO 265Vac) LOAD REGULATION 10-100% RIPPLE	85 ----- 0.0 ----- ----- ----- ----- -----	----- 12.0 ----- ----- 0.20 0.20 50.0	265 ----- 1.70 2.00 ----- ----- -----	Vac Vdc Amps Amps ±% ±% ±mV

FIGURE 1: SCHEMATIC DIAGRAM



WHITE DOT ON TOP OF BOBBIN DENOTES PIN #1

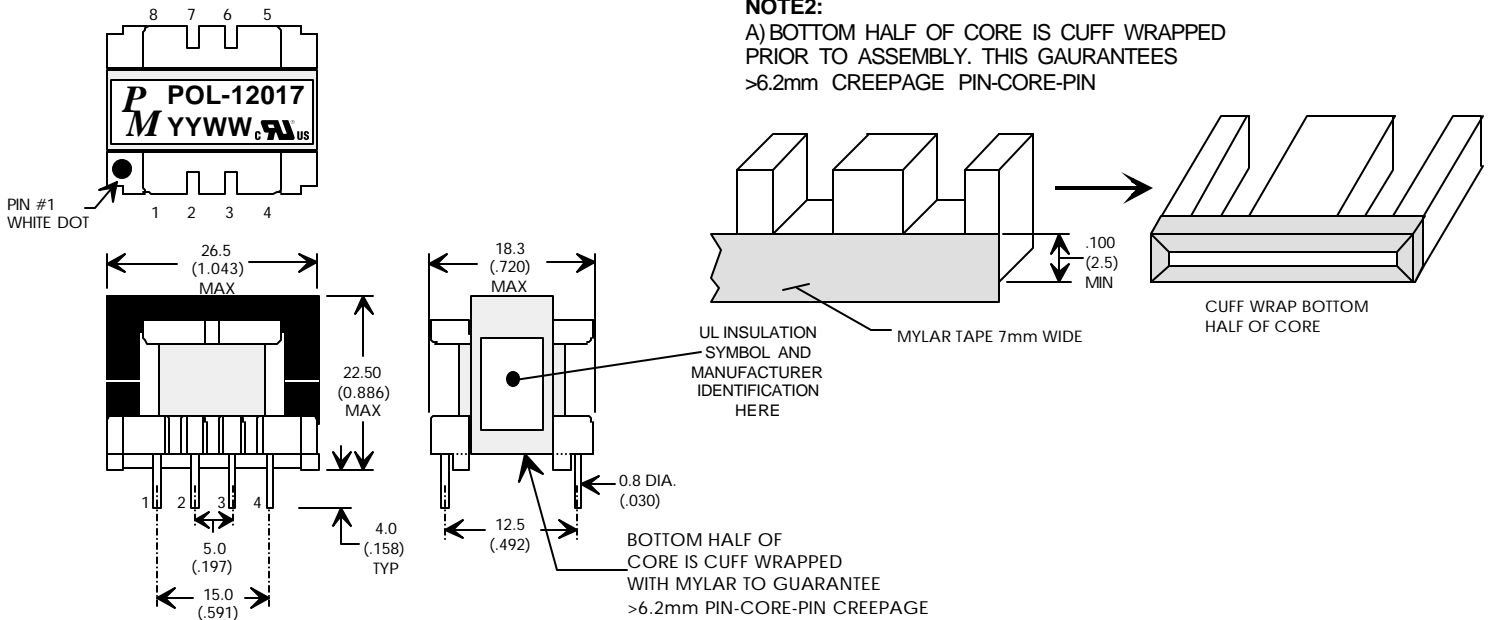
SECONDARY PINS #8 & 7, #6 & 5 MUST BE RESPECTIVELY CONNECTED TOGETHER FOR PROPER OPERATION. I.E. CONNECTED AS ONE PARALLEL WINDING.

NOTE1: REINFORCED INSULATION SYSTEM, UL1950, IEC950, CSA-950:

- A) ALL MATERIALS MEET "UL", "CSA" & "IEC" REQUIREMENTS
- B) TRIPLE BASIC INSULATED SECONDARY.
- C) DESIGNED TO MEET ≥6.2mm CREEPAGE REQUIREMENTS.
- D) VARNISH FINISHED ASSEMBLY.
- E) UL1950 & CSA-950 CERTIFIED: FILE #E162344.
- F) UL CLASS (B) 130 INSULATION SYSTEM PM130-R1, PM130-H1, PM130-H1A (UL FILE #E177139) OR ANY UL AUTHORIZED CLASS (B) INSULATION SYSTEM.

(1) REFER TO RD5 APPLICATION CIRCUIT OF FIGURE 3.

FIGURE 2: PHYSICAL DIMENSIONS mm (INCHES)



NOTE2:

- A) BOTTOM HALF OF CORE IS CUFF WRAPPED PRIOR TO ASSEMBLY. THIS GAURANTEES >6.2mm CREEPAGE PIN-CORE-PIN

REV.	DESCRIPTION OF CHANGES	BY
06/04/97	ORIGINAL RELEASE	TO
06/26/97	CORRECTED SCHEMATIC	TO
05/06/98	UPDATED RELEASE, CORRECTED MAX HEIGHT DIMENSION	TO
10/10/98	UPDATED TO ADD UL 1950 & CE-950 APPROVAL & MARKING	TO
05/06/99	UPDATE TO UL CLASS (B) 130 INSULATION SYSTEM	MD
01/18/00	CORRECT WIDTH DIMENSION TO 26.5mm MAX	PP
07/07/00	CHANGE SEC WDG TO 8-5& 7-6	PP

EE25.4 (FEI25, FEE25, EE2425), 8-PIN VERTICAL BOBBIN



UNLESS OTHERWISE SPECIFIED DIMENSIONS ARE IN MM
DIMENSIONAL TOLERANCES ARE:
DECIMALS ANGLES
.X ± .25 ±0° 30'
.XX ± .15
DO NOT SCALE DRAWING

FLYBACK TRANSFORMER CONTROL DRAWING

PREMIER P/N: POL-12017	REVISION: 07/27/00
ENGR: TOM O'NEIL	REF: TOP224P, RD5
SCALE: NONE	SHEET: 1 OF 6

