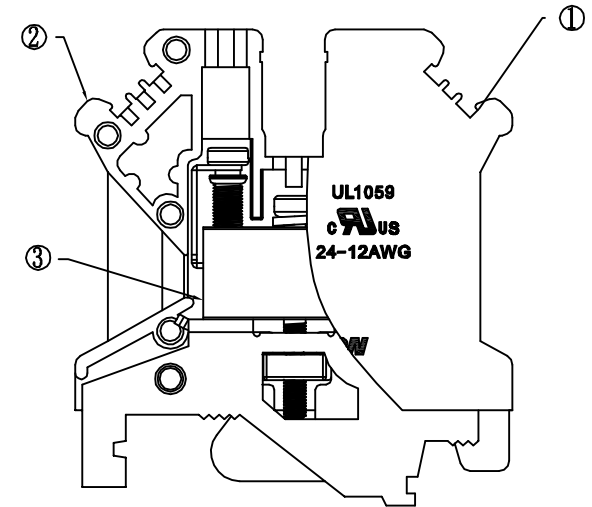
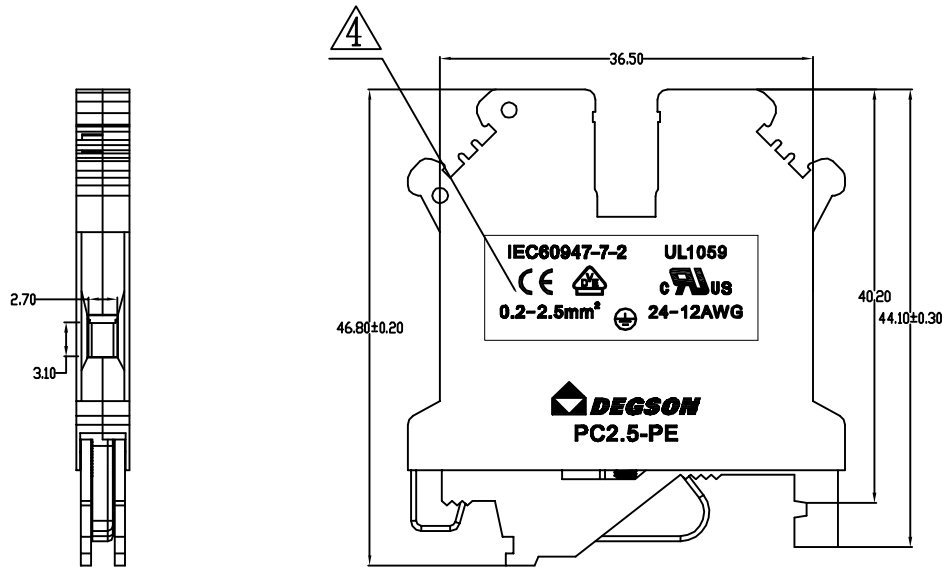
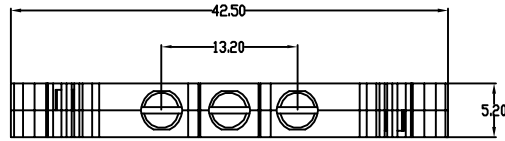


| REVISION RECORD |     |                              |       |           |
|-----------------|-----|------------------------------|-------|-----------|
| REV             | ECO | DESCRIPTION                  | DRFT  | DATE      |
| ▲               |     | 将料号6015A001A<br>改为6015A0801A | WF    | 07/26/06' |
| ▲               |     | 增加UL刻字                       | CSX   | 04/21/07' |
| ▲               |     | 品名、料号增加环保标示“(H)”             | LJH   | 12/10/07' |
| ▲               |     | 增加VDE刻字及参数                   | Zengy | 08/23/08' |



Notes:

1. Thickness: 5.2mm
2. Operation temperatures: -40°C ~ +105°C
3. Wire Range: 24~12AWG , 0.2~2.5mm<sup>2</sup>
4. Max. Torque Value: M3.0 , 5.1kgf.cm
5. Undimensioned Tolerances:

| Pitch range in mm |        |         | Nominal dimension range in mm |         |         |          |          |          |
|-------------------|--------|---------|-------------------------------|---------|---------|----------|----------|----------|
|                   | over 6 | over 10 |                               | over 30 | over 60 | over 100 | over 150 | ∩        |
| to 6              | to 10  | to 24   | to 30                         | to 60   | to 100  | to 150   |          | ∇        |
| ±0.10             | ±0.15  | ±0.25   | ±0.2                          | ±0.3    | ±0.5    | ±0.7     | ±1.0     | 0.005/10 |

| 3                      | PC2.5-PE-Ground contact    | 6015B00010 (H) | 1              |   |         |
|------------------------|----------------------------|----------------|----------------|---|---------|
| 2                      | PC2.5-PE-Housing           | 6015A0801A (H) | 1              | PA66  | UL94V-0 |
| 1                      | PC2.5-PE-Housing           | 6015A0401A (H) | 1              | PA66  | UL94V-0 |
| ITEM                   | NAME OF PART               | NO. OF PART    | Q'TY           | MATERIAL  | NOTES   |
| DETACHED LISTS         | MM (INCH)                  | DFTD L/TUM     | DATE 11/16/05' | 宁波高正电子有限公司<br>DEGSON ELECTRONICS CO., LTD<br>NAME<br><b>PC2.5-PE-01P-1Y-00A (H)</b><br>DRAWING NO. PC2.5-PE-E01 SIZE A3 REV T4 08/23/08'<br>/PART NO. DO NOT SCALE DRAWING SHEET 1 OF 1 |         |
|                        | TOLERANCES EXCEPT AS NOTED |                | CHKD DATE      |   |         |
|                        | MM                         |                | MFD DATE       |   |         |
|                        | .00 ±                      |                | APPVL DATE     |   |         |
|                        | .000 ±                     |                | MATERIAL :     |   |         |
| ANGLES ± 1°            |                            | G.E :          |                |   |         |
| THIRD ANGLE PROJECTION |                            | FINISH:        |                |   |         |
|                        |                            | SCALE :        |                |   |         |