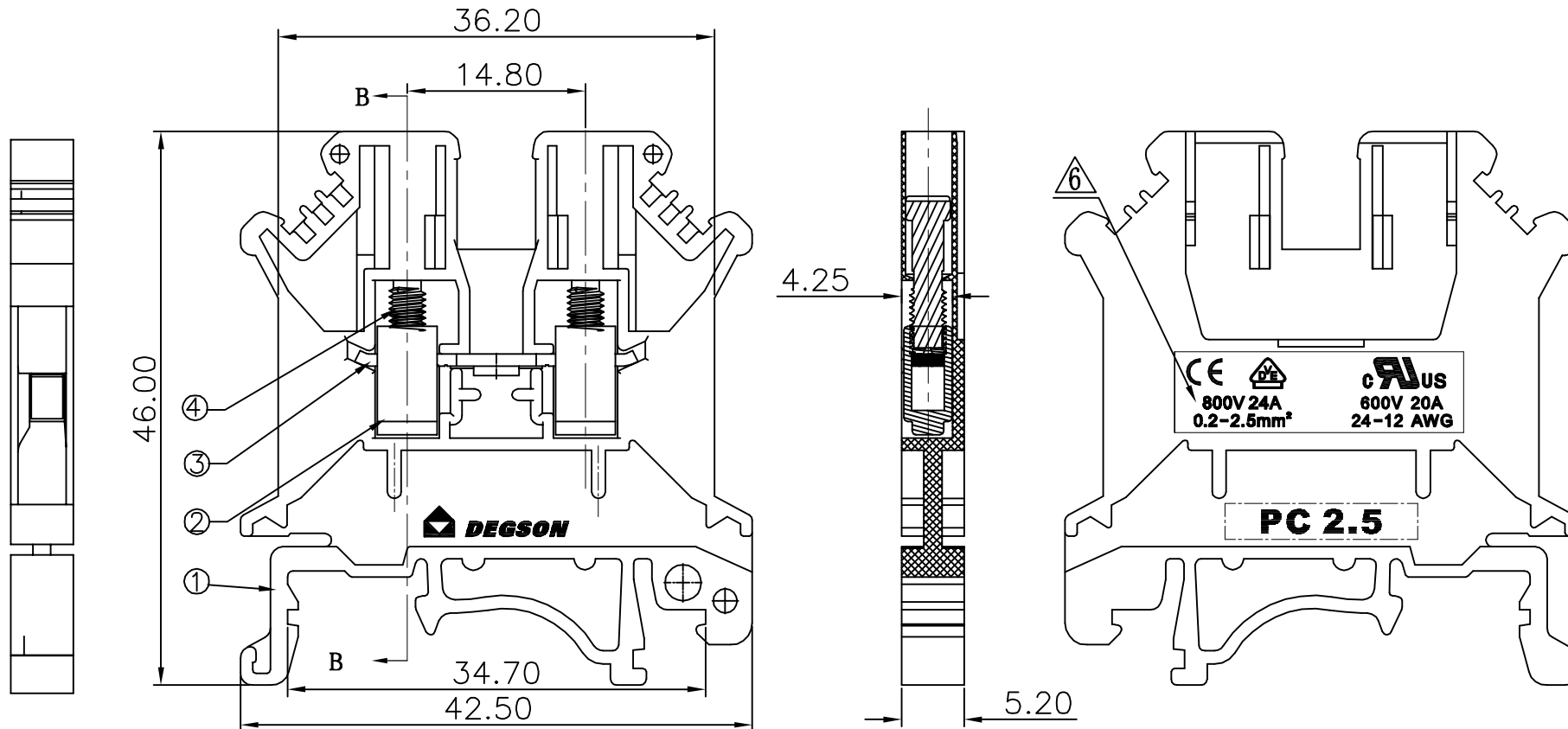


REVISION RECORD				
REV	ECO	DESCRIPTION	DRFT	DATE
△		图面更新	HW	05/07/06'
△		增加UL刻字	CSX	03/26/07'
△		品名、料号增加环保标示“(H)”	LJH	12/10/07'
△		增加VDE刻字及参数	Zengy	08/07/08'



Notes:

- Rated voltage/current:UL 600V/20A  
VDE 800V/24A
- Operation temperatures:-40℃~+105℃
- Withstanding Voltage:AC3000V/1Min
- Insulation Resistance:5000MΩ/DC1000V
- Wire Range:24~12AWG, 0.2~2.5mm²
- Max. Torque Value:M3, 5.1kgf.cm
- Undimensioned Tolerances:

Pitch range in mm		Nominal dimension range in mm					
	over 6	over 10	over 30	over 60	over 100	over 150	∩
to 6	to 10	to 24	to 30	to 60	to 100	to 150	∩
±0.10	±0.15	±0.25	±0.2	±0.3	±0.5	±0.7	±1.0
							0.05/10

SECTION B-B

4	PC 4 -Screw	S000001060(H)	2	Brass	Ni Plated
3	PC 2.5 -Contact	6004B00010(H)	1	Copper	SnCe Plated
2	PC 2.5 -Brass Cage	X000000880(H)	2	Brass	Ni Plated

ITEM	NAME OF PART	NO. OF PART	Q'TY	MATERIAL	NOTES
1	PC 2.5-Housing	6004A0Y01A(H)	1	PA66	UL94V-0
TOLERANCES EXCEPT AS NOTED		DFTO Zhuwm	DATE 07/16/'05	DEGSON® 宁波高正电子有限公司 DEGSON ELECTRONICS CO., LTD	
MM (INCH)		CHKD	DATE	NAME PC2.5-01P-1Y-00A(H)	
.0 ±		MFO	DATE	DRAWING NO. PC2.5-E01	
.00 ±		APPVL	DATE	/PART NO.	
.000 ±		MATERIAL :		SIZE A3	
ANGLES ± 1°		G.E :		REV T6	
THIRD ANGLE PROJECTION		FINISH :		08/07/08'	
		SCALE :		DO NOT SCALE DRAWING	
				SHEET 1 OF 1	