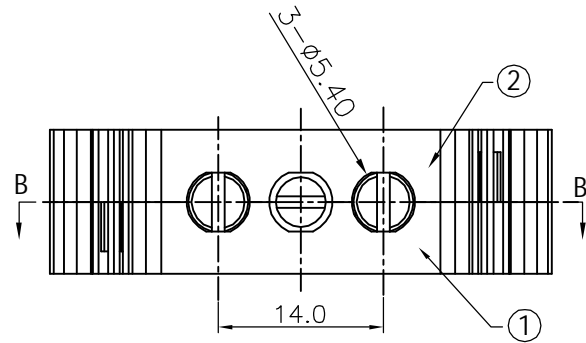


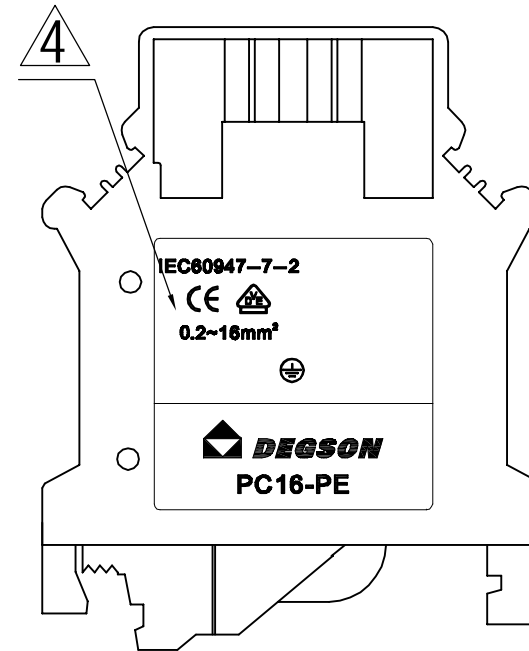
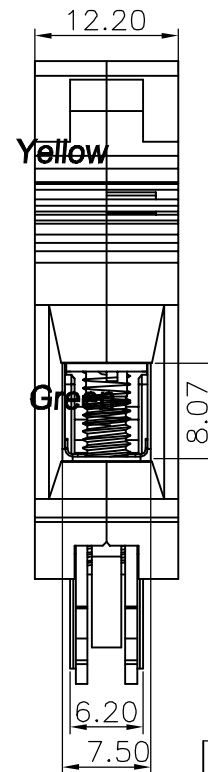
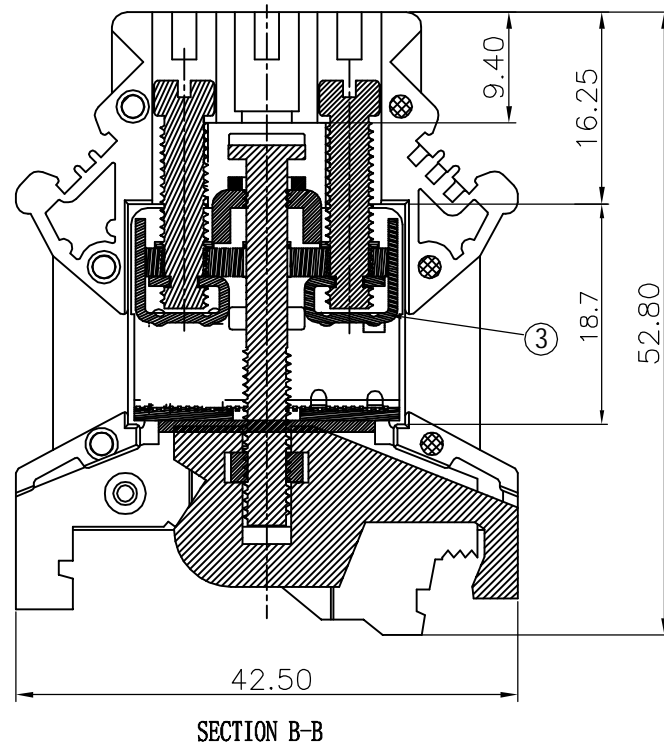
REVISION RECORD					
REV	ECO	DESCRIPTION	DRFT	DATE	
△		图面更新	HW	05/10/06*	
△		料号由6012A0401A 改为6012A0801A	WF	07/26/06*	
△		品名、料号增加环保标示“(H)”	LJH	12/10/07*	
△		增加VDE刻字及参数	Zengy	08/23/08*	



Notes:

1. Thickness: 12.20mm
2. Operation temperatures: -40°C ~ +105°C
3. Wire Range: 12~4AWG, 0.2~16mm²
4. Max. Torque Value: M4, 12.24kgf.cm
5. Undimensioned Tolerances:

Pitch range in mm		Nominal dimension range in mm						—
to	over	to	over	to	over	to	over	—
6	10	10	24	30	60	100	150	∩
±0.10	±0.15	±0.25	±0.2	±0.3	±0.5	±0.7	±1.0	∇



△	3	PC 16-PE hardware	6012B00010(H)	1		
	2	PC16-PE housing	6012A0801A(H)	1	PA66	UL94V-0

ITEM	NAME OF PART	NO. OF PART	Q'TY	MATERIAL	NOTES
1	PC16-PE housing	6012A0401A(H)	1	PA66	UL94V-0

DETACHED LISTS	MM (INCH)	DFTO Zhuwm	DATE 11/02/05*
	TOLERANCES EXCEPT AS NOTED	CHKD	DATE
		MFO	DATE
		APPVL	DATE
MM	±		
.0 ±	±		
.00 ±	±		
.000 ±	±		
ANGLES ± 1°	G.E :		
THIRD ANGLE PROJECTION	FINISH :		
	SCALE : 1:1		

DEGSON ® 宁波高正电子有限公司 DEGSON ELECTRONICS CO., LTD	
NAME PC16-PE-01P-1Y-00A(H)	
DRAWING NO. PC16-PE-E01	SIZE REV A3 T4
/PART NO.	08/23/08*
DO NOT SCALE DRAWING	SHEET 1 OF 1