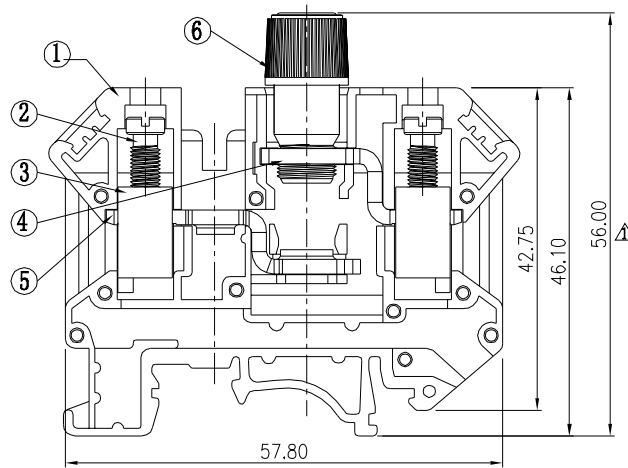
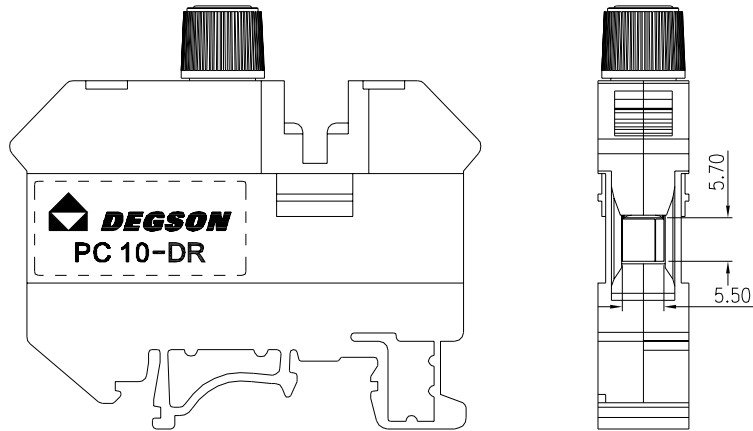
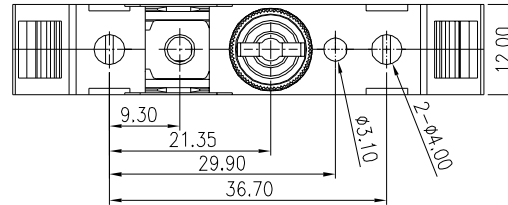


REVISION RECORD				
REV	ECN	DESCRIPTION	DRFT	DATE
△	10-0219	6091A0Y01A(H) 6091B00010(H) 6091B00010(H) 6091B00010(H) 6091B00010(H)		07/13/10

Notes:

- Rated voltage/current:UL1059 300V/10A
IEC 800V/10A
- Operation temperatures:-40℃~+105℃
- Withstanding Voltage:AC3000V/1Min
- Insulation Resistance:5000MΩ/DC1000V
- Wire Range:14~6AWG, 10mm²
- Max. Torque Value:M4, 12.24kgf. cm
- Undimensioned Tolerances:

Pitch range in mm		Nominal dimension range in mm					
to	over	over	over	over	over		
6	6 to 10	10 to 24	30 to 30	60 to 60	100 to 100	150 to 150	
±0.10	±0.15	±0.25	±0.2	±0.3	±0.5	±0.7	
						±1.0	



ITEM	NAME OF PART	NO. OF PART	Q'TY	MATERIAL	NOTES
6	PC10-DR Fuse Housing	6091D0101A(H) △	1		
5	PC10-DR Double hole current	6091B00020(H)	1	Copper	SnCe plated
4	PC10-DR Single hole current	6091B00010(H)	1	Copper	SnCe plated
3	PC10-Brass Cage	X00000910(H)	2	Brass	Ni plated
2	PC 6-Screw	S000001490(H)	2	Brass	Ni plated

ITEM	NAME OF PART	NO. OF PART	Q'TY	MATERIAL	NOTES
1	PC10-DR Housing	6091A0Y01A(H)	1	PA66	UL94V-0

MM (INCH)	DATE 03/13/08	DFTO LIUM	DATE
TOLERANCES EXCEPT AS NOTED	CHKD	MFO	DATE
	APPLV		DATE
MM	±	MATERIAL :	
.0 ±	±	G.E :	
.00 ±	±	FINISH :	
.000 ±	±	SCALE :	
ANGLES ± 1°		DO NOT SCALE DRAWING	
THIRD ANGLE PROJECTION		SHEET 1	OF 1

NAME		SIZE		REV	
PC10-DR-01P-1Y-00A(H)		A3		T1	
DRAWING NO. PC10-DR-E01				07/13/10	
/PART NO.					

宁波高正电子有限公司
 DEGSON ELECTRONICS CO., LTD
 NAME: PC10-DR-01P-1Y-00A(H)
 DRAWING NO. PC10-DR-E01
 /PART NO.
 SIZE A3
 REV T1 07/13/10