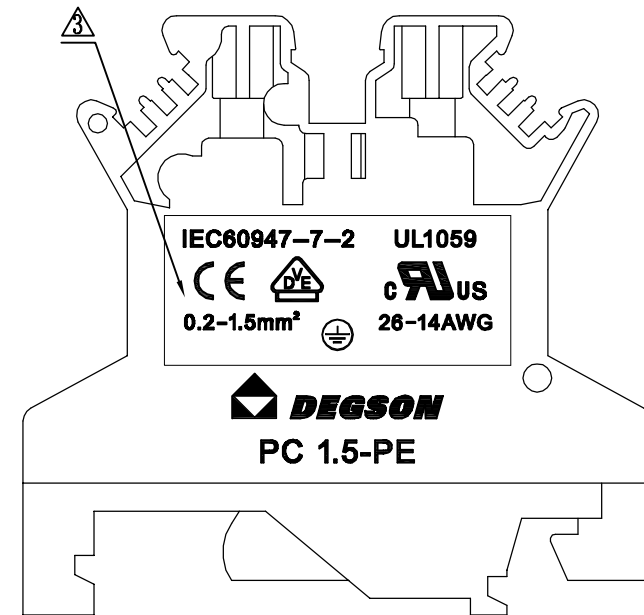
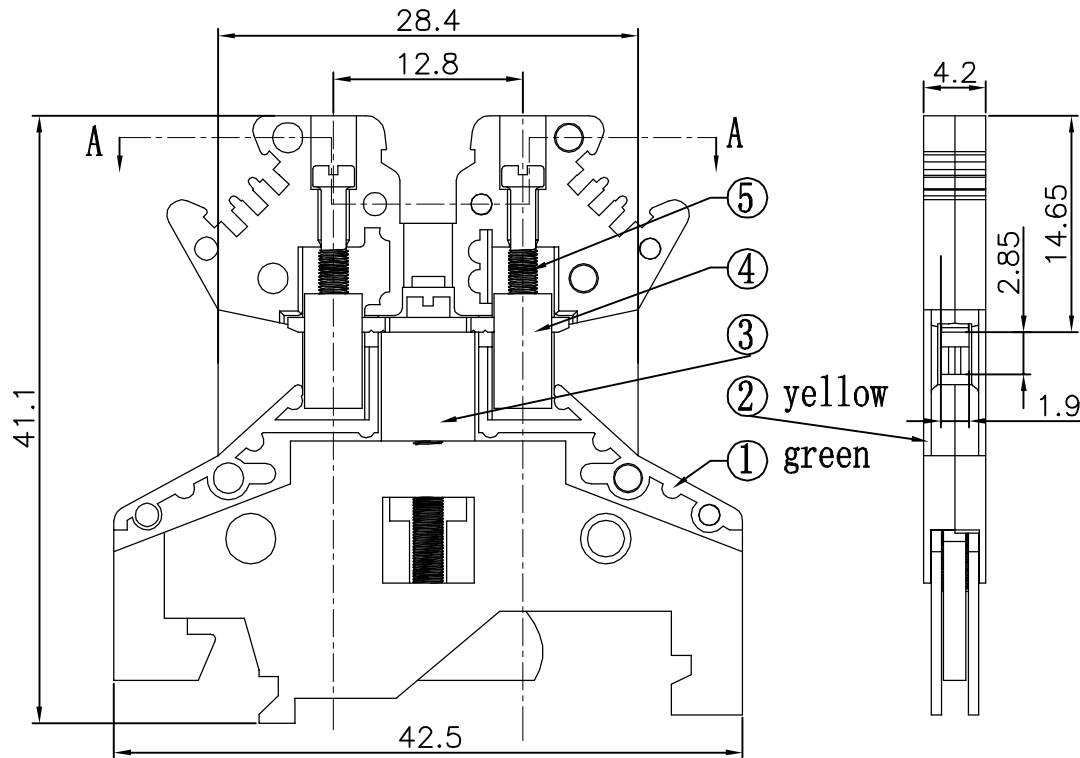
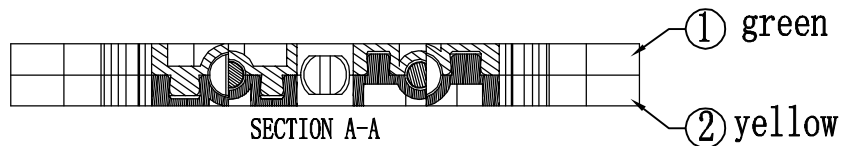


REVISION RECORD					
REV	ECO	DESCRIPTION	DRFT	DATE	
△		增加UJ刻字	CSX	08/07/07	
△		品名, 料号增加环保标示“(H)”	LJH	12/10/07	
△		增加VDE刻字及参数	Zengy	08/26/08	



Without Cover

Notes:

1. Thickness: 4.2mm
2. Operation temperatures: -40°C ~ +105°C
3. Wire Range: 26~14AWG, 0.2~1.5mm²
4. Max. Torque Value: M2, 12.24kgf.cm
5. Undimensioned Tolerances:

Pitch range in mm		Nominal dimension range in mm						
to	over	over	over	over	over	over		
6	10	10	30	60	100	150		
to 6	to 10	to 24	to 30	to 60	to 100	to 150	∅	
±0.10	±0.15	±0.25	±0.2	±0.3	±0.5	±0.7	±1.0	
							0.05/10	

5	PC 1.5-Screw	S000001600(H)	2	Brass	Ni plated
4	PC 1.5-Cage	X000001080(H)	2	Brass	Ni plated
3	PC 1.5-PE-Ground contact	6022B00010(H)	1		

ITEM	NAME OF PART	NO. OF PART	Q'TY	MATERIAL	NOTES
2	PC 1.5-PE-Housing	6022A0801A(H)	1	PA66	UL94V-0
1	PC 1.5-PE-Housing	6022A0401A(H)	1	PA66	UL94V-0

DETACHED LISTS	MM (INCH)	DFTO Zhuwm	DATE 03/15/06"
	TOLERANCES EXCEPT AS NOTED	CHKD	DATE
		MFO	DATE
		APPVL	DATE
	MM	±	
	.00 ±	±	
	.000 ±	±	
	MATERIAL :		
	ANGLES ± 1°		
	G.E :		
	FINISH :		
	THIRD ANGLE PROJECTION		
	SCALE : 1:1		

NAME PC 1.5-PE-01P-1Y-00A(H)		宁波高正电子有限公司 DEGSON ELECTRONICS CO., LTD	
		DRAWING NO. PC 1.5-PE-E01	
/PART NO.		SIZE A3	REV T3
DO NOT SCALE DRAWING		SHEET 1	OF 1