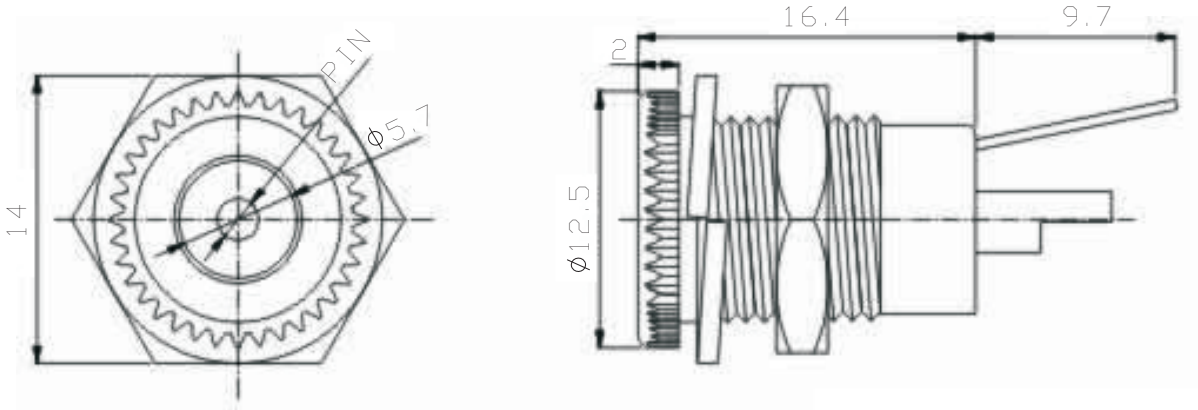


DC Power Plug Series

KLS1-DC-026 (DC Power Socket)

Technical parameters:

Contact resistance: 30mΩ, max
 Insulation resistance: 100MΩ, min
 Pressure: AC500V (50Hz) / 1minute
 Rated Load: DC 30V 1A
 Actuating Force: 3~20N
 Life: 5000 times
 Operating Temperature: -30°C ~ 70°C



MODEL NO.	MODEL NO.
SCHEMATIC	
CENTER PIN	∅2.0mm
	∅2.5mm

ORDER INFORMATION

Product NO.: KLS1-DC-026-2.0

