

DC Power Plug Series

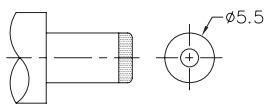
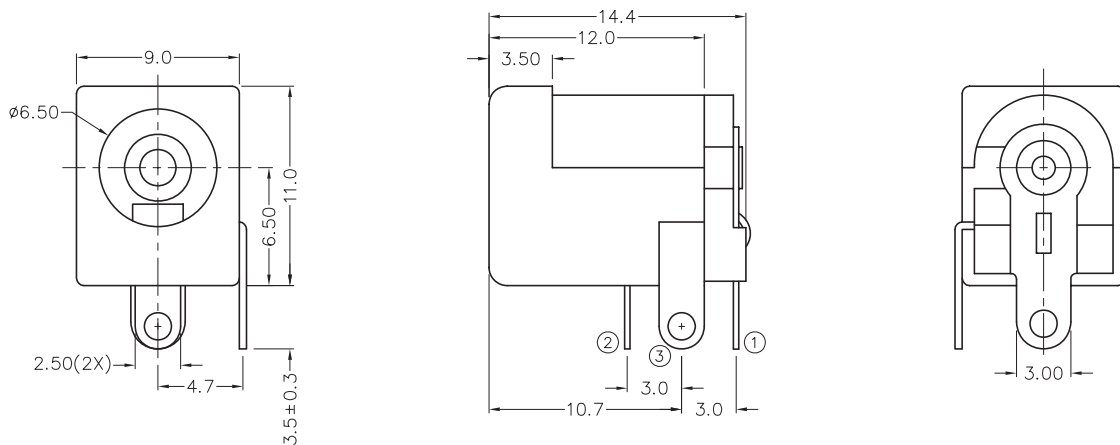
KLS1-DC-005A (DC Power Socket)

Technical parameters:

Contact resistance: 0.03Ω, max
 Insulation resistance: 100MΩ, min
 Pressure: AC500V (50Hz) / 1minute
 Rated Load: DC 16V 2.0A Max
 Actuating Force: 3~20N
 Life: 5000 times
 Operating Temperature:-30°C ~ 70°C

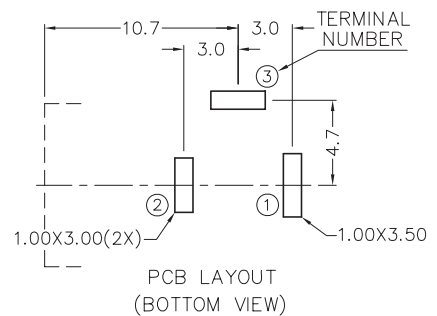
Material:

Centre Pin : Copper
 Terminal 1 : Brass
 Terminal 2 : Copper alloy
 Terminal 3 : Brass
 Housing : PBT
 Cover : PBT



DC MATE PLUG

MODEL NO.	DC-005A
SCHEMATIC	
CENTER PIN	$\phi 1.65\text{mm}$
	$\phi 2\text{mm}$
	$\phi 2.35\text{mm}$
	$\phi 2.5\text{mm}$



ORDER INFORMATION

Product NO.: KLS1-DC-005A-2.0

