

Switch

Push Button Switch Series

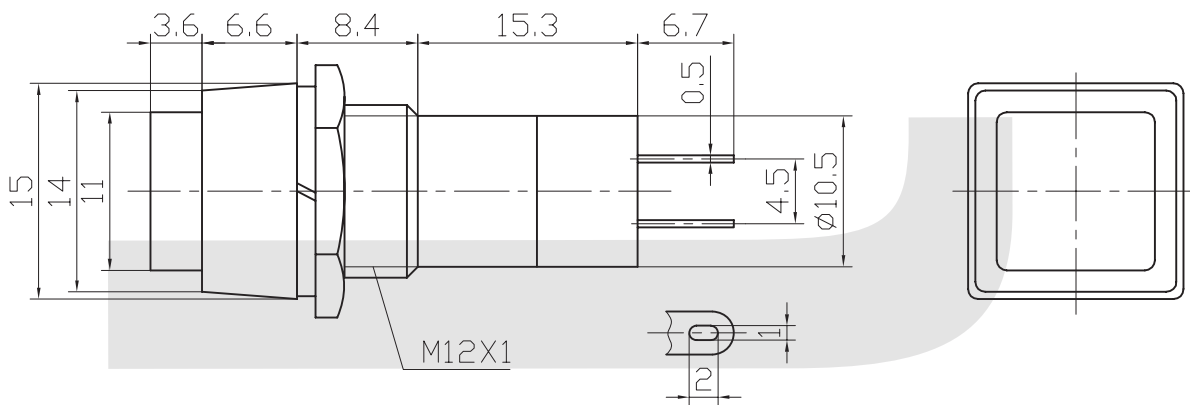
KLS7-PBS-007 Push Button Switch Series

ELECTRICAL

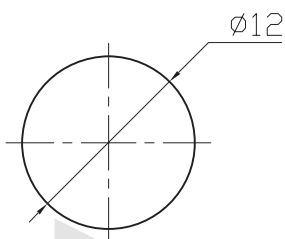
Rating: 3A 125V AC ,1A 250V AC
Contact resistance: 20mΩ Max
Insulation resistance: 100MΩ/500VDC Min
Withstanding Voltage: AC1000V/1Min
Operating Temperature: -25°C~+85°C
Electrical life: 50000 Cycles



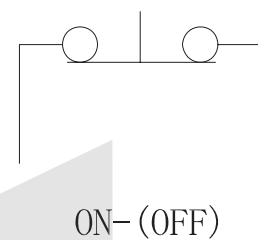
VII



Mounting



Circuitry



ORDER INFORMATION

KLS7-PBS-007 X X

Part Number

PBS-007: Push Button Switch Series

Button color: R=Red G=Green B=Black

Function: B=ON-OFF
C=ON-(OFF)
D=OFF-(ON)