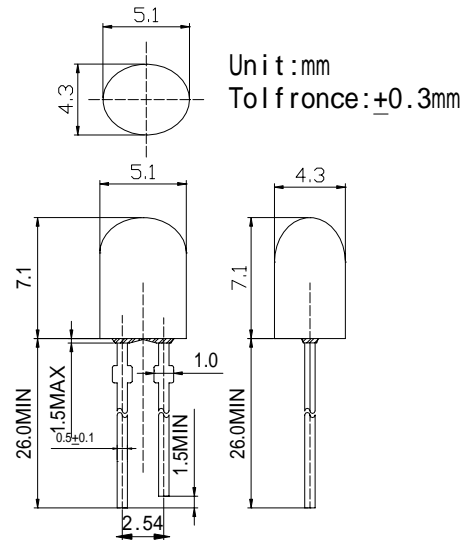


■Features

- 5.1*4.3mm Standard Directivity
- Superior Weather-resistance
- UV Resistant Epoxy
- Water Clear Type
- RoHS compliant

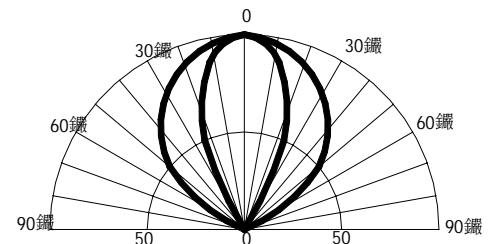
■Applications

- Automotive Dashboard Lighting
- Back Lighting
- Traffic Signal Lamp

■Outline Dimension

■Absolute Maximum Rating

(Ta=25 °C)

Item	Symbol	Value	Unit
DC Forward Current	I _F	30	mA
Pulse Forward Current*	I _{FP}	100	mA
Reverse Voltage	V _R	5	V
Power Dissipation	P _D	120	mW
Operating Temperature	T _{opr}	-30 ~ +80	
Storage Temperature	T _{stg}	-30 ~ +100	
Lead Soldering Temperature	T _{sol}	260 /3sec	-

■Directivity


*Pulse width Max.10ms Duty ratio max 1/10

■Electrical -Optical Characteristics

(Ta=25 °C)

Item	Symbol	Condition	Min.	Typ.	Max.	Unit
DC Forward Voltage	V _F	I _F =20mA	2.8	3.4	4.0	V
DC Reverse Current	I _R	V _R =5V	-	-	10	μA
Domi. Wavelength	λ _D	I _F =20mA	465	470	475	nm
Luminous Intensity	I _v	I _F =20mA	750	1120	1560	mcd
50% Power Angle	2θ _{1/2}	I _F =20mA	-	100/40	-	deg

LED & Application Technologies