

■Features

- Miniature size
- Built-in exclusive IC
- Wide half angle & long reception distance
- Good noise-proof capability
- High immunity against ambient light
- Top view

■Applications

- AV instruments (Audio, TV, VCR, CD player)
- Home appliances (Air-conditioner, Fan, Light.)
- Remote control for wireless devices

■Absolute Maximum Rating

(Ta=25°C)

Parameter	Symbol	Ratings	Unit
Supply Voltage	V _{cc}	6.0	V
Operating Temperature	T _{opr}	-10 ~ +60	°C
Storage Temperature	T _{stg}	-20 ~ +75	°C
Lead Soldering Temperature *1	T _{sol}	260°C	-

*1 At the position of 2mm from the bottom of the package within 5 seconds

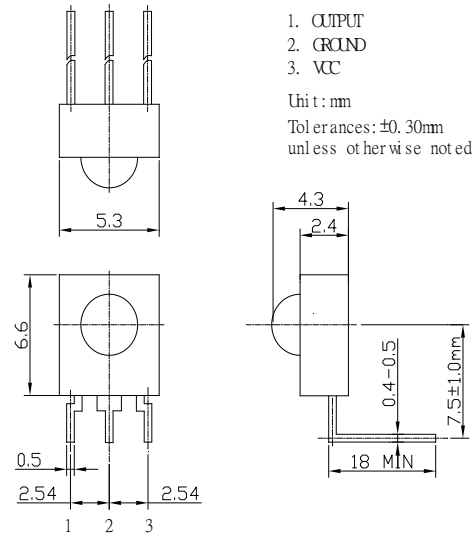
■Electrical -Optical Characteristics

(Ta=25°C)

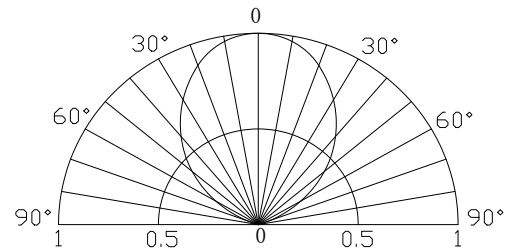
Item	Symbol	Condition	Min.	Typ.	Max.	Unit
Supply Voltage	V _{cc}		2.7	3.0	5.5	V
Current Consumption	I _{cc}	Input signal=0	-	0.9	1.5	mA
Reception Distance	d	200±5Lux, V _{cc} =3V	15	20	-	m
B.P.F. Center Frequency	F _o		-	37.9	-	KHZ
Peak Wavelength	λ _p		-	940	-	nm
Signal Output	S _o		--Active Low--			
High level output voltage	V _{oh}	V _{cc} =3V	2.7	3.0		V
		V _{cc} =5V	4.7	5.0		V
Low level output voltage	V _{ol}	V _{in} =0V I _{sink} =2.0mA	-	0.2	0.4	V
Burst width tolerance *2	B _w	Burst Wave=600 μs	400	600	800	μs
Half Angle	Δθ			90		deg

*2 The output tolerance of burst width received when transmitter sends the burst wave.

■Outline Dimension

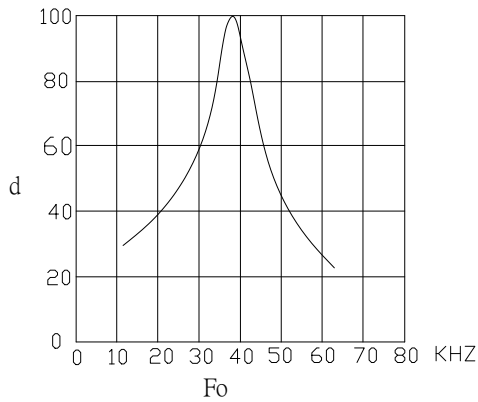


■Directivity



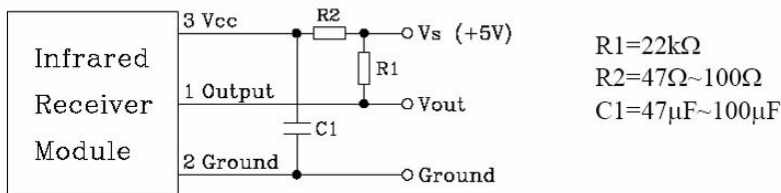
■ Carrier Frequency

Relative Reception Distance vs Transmitter carrier Frequency

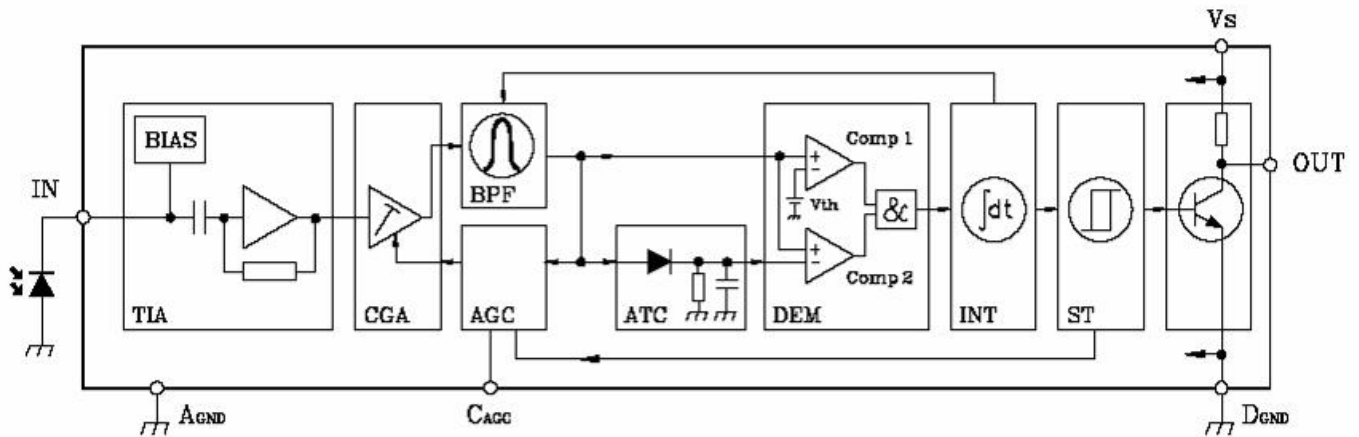


■ For Noisy Power Supply

In case of noisy power supply, please serially insert 100Ω resistor and about 47 μ F electrolytic capacitor in Vcc line and ground as follows:



■ Block Diagram



- | | | | |
|-----|---------------------------|-----|-----------------------------|
| TIA | Transimpedance amplifier | ATC | Automatic threshold control |
| CGA | Controlled gain amplifier | DEM | Demodulator |
| BPF | Bandpass filter | INT | Integrator |
| AGC | Automatic gain control | ST | Schmitt trigger |

■ Testing Method

Distance between emitter and detector specifies maximum distance that output waveform satisfies the standard (FIG-3) under the standard transmitter.

a. Measuring place

Indoor Without extreme reflection of light.

b. Ambient light source

Detecting surface illumination is 200 ± 5 Lux under ordinary white fluorescence lamp of no high frequency lightning.

c. Standard transmitter

Transmitter wave indicated in FIG-2 of standard transmitter is arranged to satisfy $V_o \geq 50$ mVp-p under the measuring circuit specified in FIG-3

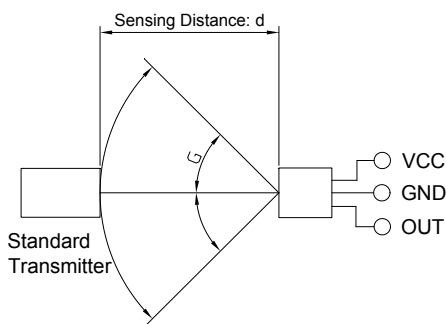


FIG-1

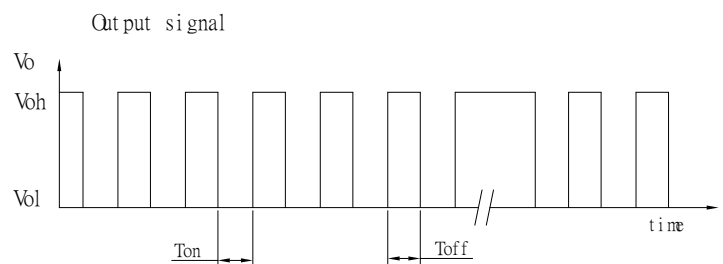
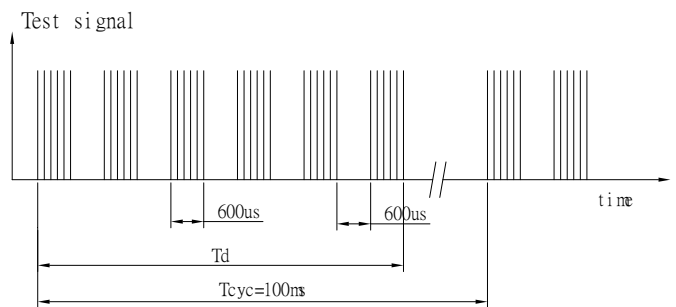


FIG 2

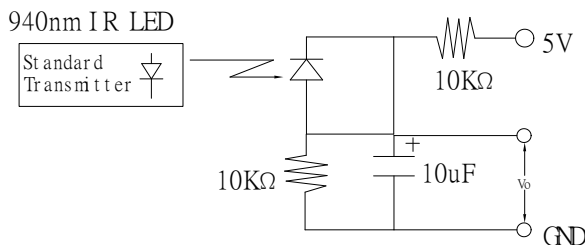


FIG-3 Power Output Measurement Circuit

■ Precautions for Use

- Store and use where there is no force causing transformation or change in quality.
- Store and use where there is no corrosive gas or sea(salt) breeze.
- Store and use where there is no extreme humidity.
- Solder the lead pin within the condition of ratings. After soldering, do not add exterior force.
- Do not wash this device. Wipe the stains of diode side with a soft cloth. You can use the solvent, ethyl alcohol, or methyl alcohol only.
- To prevent static electricity damage to the pre-amp, make sure that the human body, the soldering iron are connected to ground before using.