



SPECIFICATION

Item No.:

NRC04
1:2500T
0.2% 10Ω,20Ω

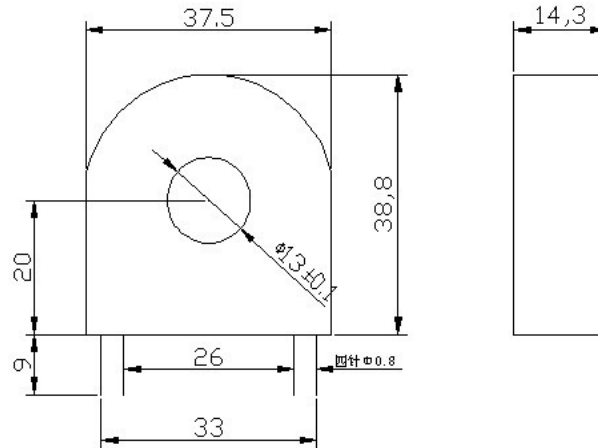
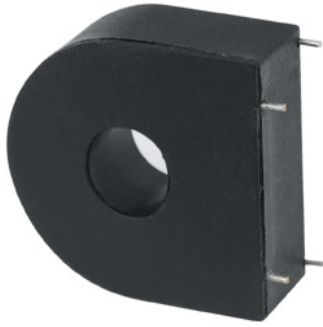
Customer:

Current Transformer

Dated:

14.09.2013

Dimensions (mm)



Production Feature

- ◆ Used as a current sensing device for utility energy meter;
- ◆ Moisture-proof and vibration-resistant;
- ◆ Encapsulation by epoxy resin, with high insulation ability;
- ◆ Casing by flame retardant PBT;
- ◆ DC-tolerance version available (IEC62053-21 standard).

Ordering information

Rated primary current	Max.primary current	Rated secondary current	Turn ratio	Load resistance	Accuracy
I_p (A)	I_{max} (A)	I_s (mA)	N	R_b	(%)
10	120	4	1:2500	10Ω,20Ω	0.2,0.5

Technical parameters

Working temperature	-25°C ~+75°C
Relative humidity	≤95%
Dielectric strength (primary vs secondary)	≥4000V (1 min.)
Insulation resistance	≥50MΩ

Accuracy Class	Ratio Error (±%)		Phase Error (±')						
	0.01In	≥0.05In	0.05In	0.2In	1In	2In	3In	I _{max}	
0.2	0.002	0.001	10	9.5	8	8	8	8	

Remark: Ambient temperature: 10°C ~30°C