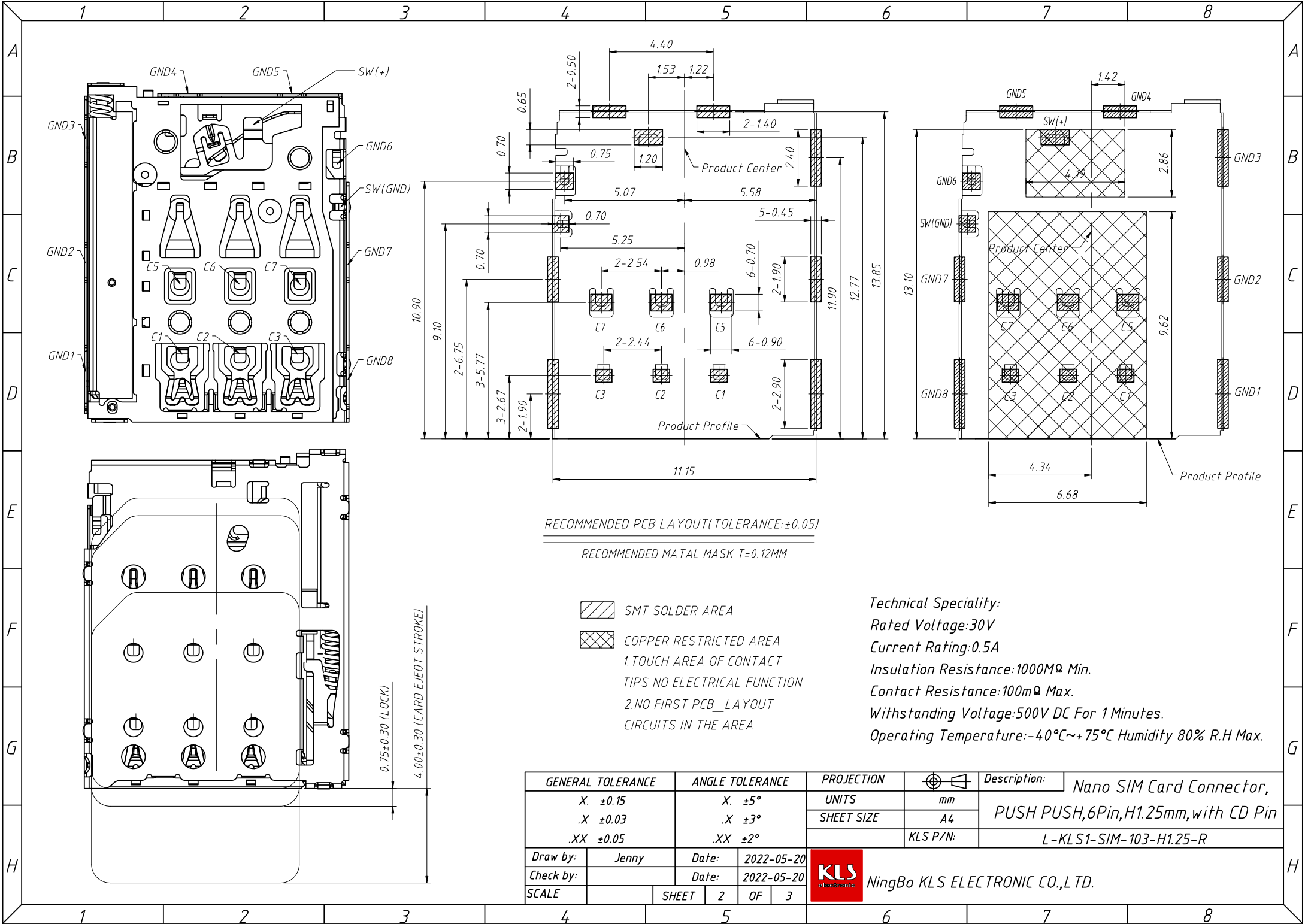




**Material:**  
 Housing: High Temperature Thermoplastic  
 Terminal: Copper Alloy  
 Shell: Stainless Steel  
 Plating:  
 Terminal: 50u" Ni Underplated Overall / G/F Plated On Contact Area / G/F Plated On Solder Area  
 Shell: 30u" Ni Underplated Overall G/F Plated On Contact Area And Solder Area

GENERAL TOLERANCE	ANGLE TOLERANCE	PROJECTION	Description:
X. ±0.15	X. ±5°	UNITS	Nano SIM Card Connector, PUSH PUSH, 6Pin, H1.25mm, with CD Pin
.X ±0.03	.X ±3°	SHEET SIZE	
.XX ±0.05	.XX ±2°	KLS P/N:	
Draw by: Jenny	Date: 2022-05-20	L-KLS1-SIM-103-H1.25-R	
Check by:	Date: 2022-05-20		



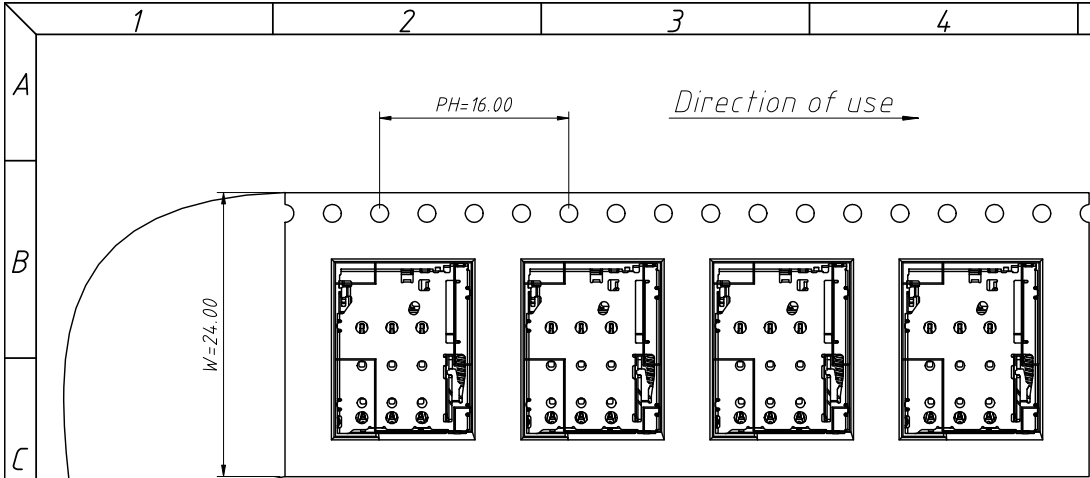
RECOMMENDED PCB LAYOUT(TOLERANCE:±0.05)

RECOMMENDED MATAL MASK T=0.12MM

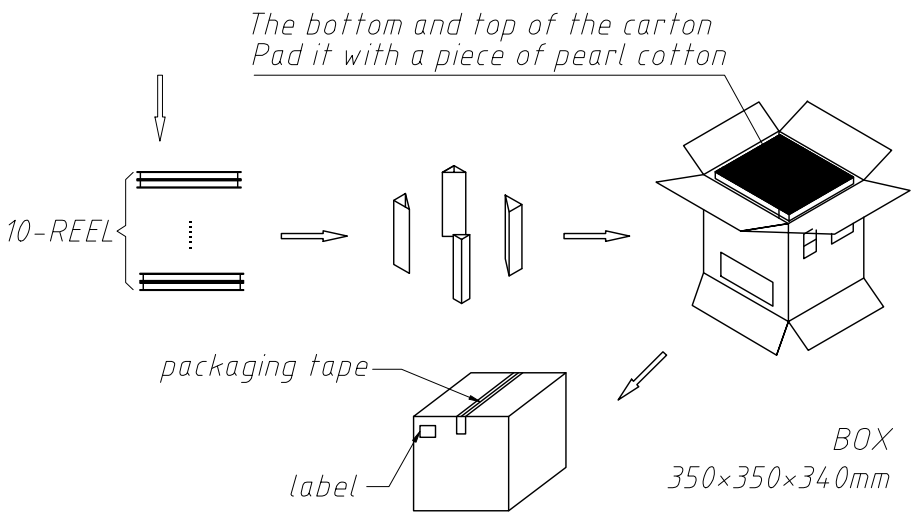
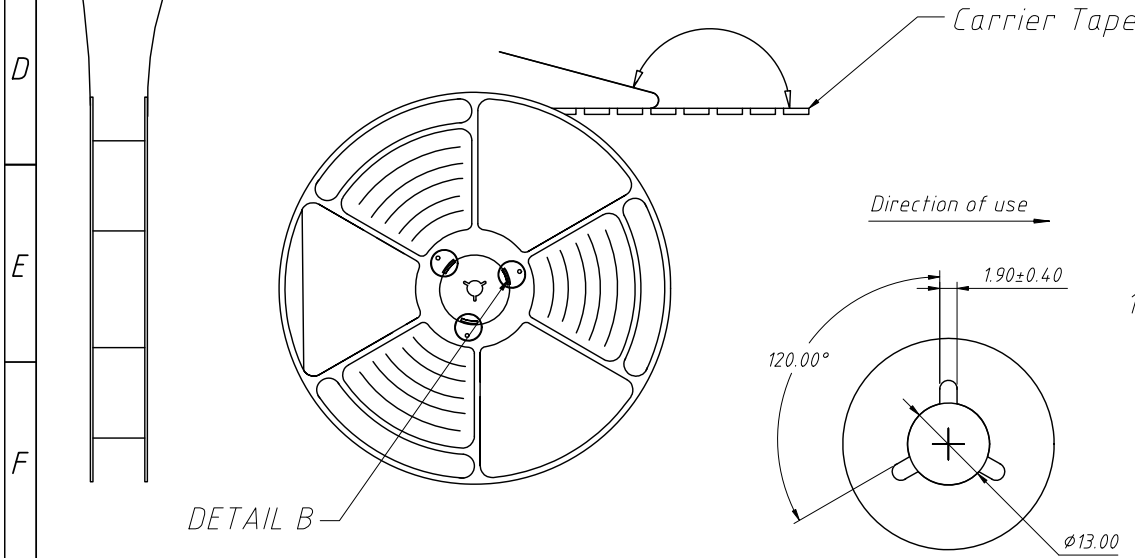
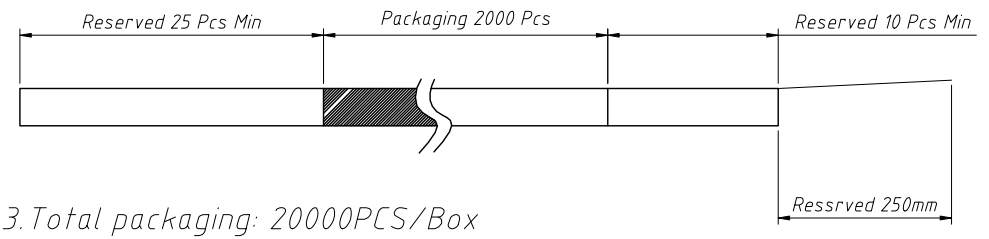
-  SMT SOLDER AREA
-  COPPER RESTRICTED AREA
- 1.TOUCH AREA OF CONTACT
- TIPS NO ELECTRICAL FUNCTION
- 2.NO FIRST PCB\_LAYOUT
- CIRCUITS IN THE AREA

Technical Speciality:  
 Rated Voltage:30V  
 Current Rating:0.5A  
 Insulation Resistance:1000MΩ Min.  
 Contact Resistance:100mΩ Max.  
 Withstanding Voltage:500V DC For 1 Minutes.  
 Operating Temperature:-40°C~+75°C Humidity 80% R.H Max.

GENERAL TOLERANCE		ANGLE TOLERANCE		PROJECTION	Description: Nano SIM Card Connector, PUSH PUSH,6Pin,H1.25mm,with CD Pin L-KLS1-SIM-103-H1.25-R	
X	±0.15	X	±5°	UNITS		mm
.X	±0.03	.X	±3°	SHEET SIZE		A4
.XX	±0.05	.XX	±2°		KLS P/N:	
Draw by:	Jenny	Date:	2022-05-20	 NingBo KLS ELECTRONIC CO.,L TD.		
Check by:		Date:	2022-05-20			
SCALE		SHEET	2 OF 3			



NOTES:  
 1.Packing quantity per plate:2000PCS/Plate  
 2.Loading and packing method



Description	Quantity
Carrier band (Lucent,PS W=24 PH=16,T=0.3)	325.6m
Box (K=K,T=7.0,350x350x340)	1PCS
PE Bag (T=0.08mm,730x760x730)	1PCS
Self-adhesive (W=21.30)	331.2m
Beam (K=K,T=7.0,95x95x290)	4PCS
Pearl Wool (340x340x18)	2PCS
REEL (BLUE,13Inchesx24mm,φ330)	10PCS
1.25H Push-Push Nano-SIM Card	20000PCS

GENERAL TOLERANCE		ANGLE TOLERANCE		PROJECTION		Description:	
X	±0.15	X	±5°	UNITS	mm	Nano SIM Card Connector, PUSH PUSH,6Pin,H1.25mm,with CD Pin L-KLS1-SIM-103-H1.25-R	
.X	±0.03	.X	±3°	SHEET SIZE	A4		
.XX	±0.05	.XX	±2°	KLS P/N:			
Draw by:	Jenny	Date:	2022-05-20	NingBo KLS ELECTRONIC CO.,L TD.			
Check by:		Date:	2022-05-20				
SCALE		SHEET	3 OF 3				