

8 7 6 5 4 3 2 1

NOTES :

1. MATERIAL :
 HOUSING : HIGH TEMPERATURE NYLON , GLASS FIBRE FILLED, UL94-V0 , COLOR: BLACK
 TERMINAL : PHOSPHOR BRONZE
 METAL SHELL : DEEP DRAWN STEEL

2. PLATING :
 TERMINAL :
 CONTACT AREA : (a) GOLD FLASH,
 (b) GOLD (Au), THICKNESS = 30 MICROINCH MINIMUM.
 SOLDER TAIL :
 PURE TIN THICKNESS= 75 MICROINCH MINIMUM .
 UNDER PLATE : NICKEL (Ni), THICKNESS= 50 MICROINCH MINIMUM.
 METAL SHELL :
 TIN (Sn) ALLOY , THICKNESS= 100 MICROINCH MINIMUM.
 UNDER PLATE : NICKEL (Ni), THICKNESS= 50 MICROINCH MINIMUM.

3. RECOMMENDED PCB THICKNESS : 1.60±0.05 mm

4. PRODUCT SPECIFICATION : REFER TO PS-89485

5. TRAY PACKAGING SPECIFICATION REFER TO : PK-89485-002
 TUBE PACKAGING SPECIFICATION REFER TO : PK-89485-001
 TUBE PACKAGING P/N, PLEASE REFER TO SHEET 2,3

DIMENSION "A"	P/N FOR TRAY PACKING	
2.00 ^{+0.35} _{-0.15}	89485-8000	GOLD FLASH PLATING ON CONTACT AREA
	89485-8001	30 MICRO INCH GOLD PLATING ON CONTACT AREA
2.50 ^{+0.35} _{-0.10}	89485-8002	GOLD FLASH PLATING ON CONTACT AREA
	89485-8003	30 MICRO INCH GOLD PLATING ON CONTACT AREA

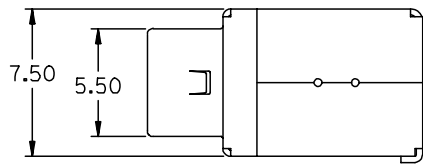
ENG. NO

EDP NO.

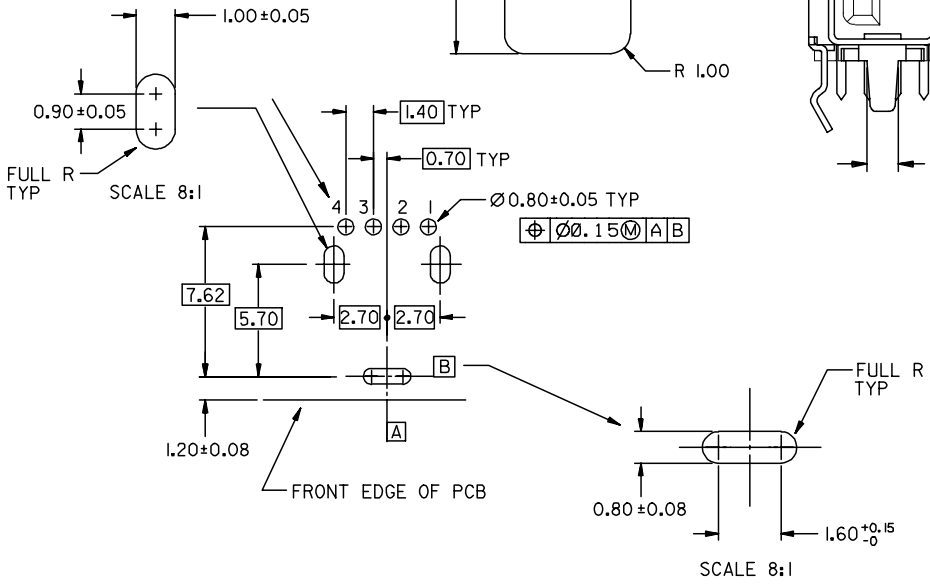
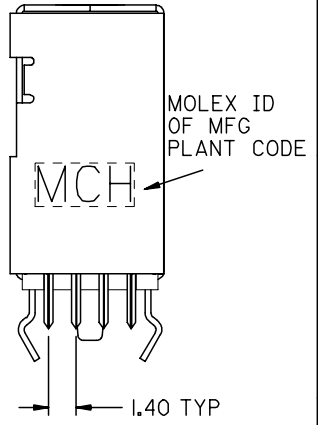
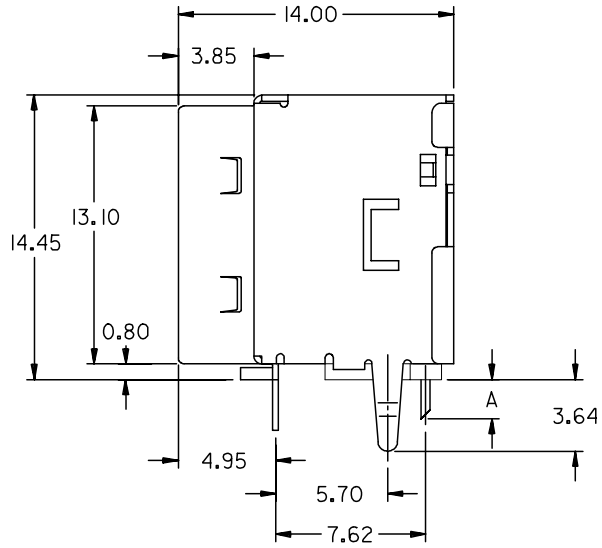
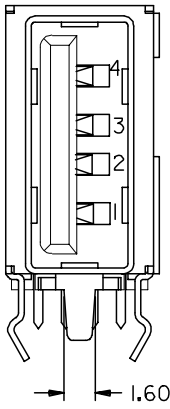
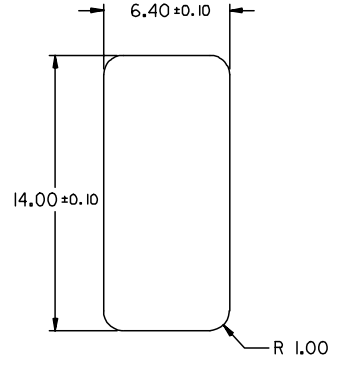
SIMILAR ITEM

CAD FILE :

DO NOT SCALE DRAWING



Recommended Panel Opening



				MATERIAL : SEE NOTE		MOLEX TAIWAN LTD. SHEET 1 OF 3	
				FINISH : SEE NOTE		GENERAL TOLERANCES ANGLE : ± 3° DIM : ± .25/.010	
				WIRE RANGE : N/A		ENG. NO.: SD-89485-003	
				INS. RANGE : N/A		REV A	
A NEW RELEASE FOR LEAD-FREE				DAVID HJ 2004/11/5			
LTR	REVISION RECORD	ECN	DR	DATE	DRAWN BY DAVID HJ 2004/11/5	CHK'D BY	TITLE : SINGLE PORT UP-RIGHT USB CONNECTOR (LEAD-FREE)
REVISE ONLY ON CAD SYSTEM					APPR'D BY	SCALE 4:1	

8 7 6 5 4 3 2 1

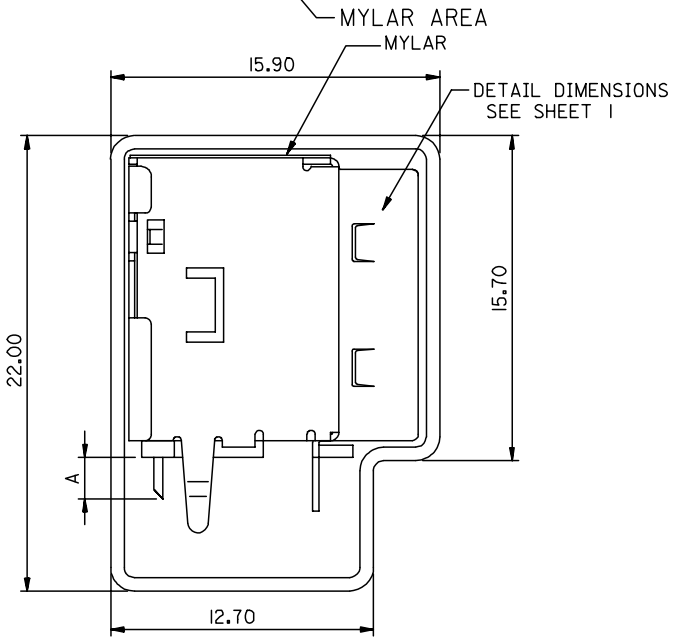
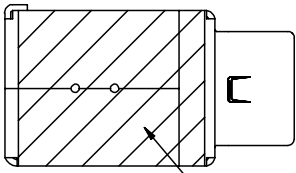
ENG. NO

EDP NO.

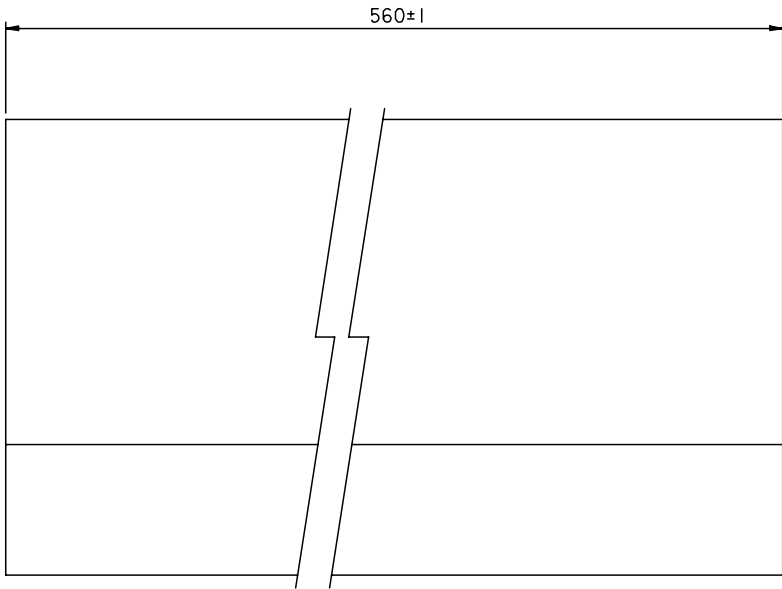
SIMILAR ITEM

CADFILE NO.

DO NOT SCALE DRAWING



NOTE:
 1. DETAIL DIMENSIONS, PLEASE REFER TO SHEET 1 OF SD-89485-003
 2. THE TUBE PACKAGE INCLUDE TWO PLUGS ON RIGHT AND LEFT SIDES.
 3. TUBE PACKAGING SPECIFICATION REFER TO: PK-89485-001



PART NUMBER LEGEND:

P/N FOR TUBE PACKING AND MYLAR ADDITION			
MATERIAL NUMBER	DIMENSION 'A'	PLATING SPECIFICATION	
WITH MYLAR	2.00 ^{+0.35} _{-0.15}	GOLD FLASH PLATING ON CONTACT AREA	
		30 MICRO INCH GOLD PLATING ON CONTACT AREA	
	2.50 ^{+0.35} _{-0.10}	GOLD FLASH PLATING ON CONTACT AREA	
		30 MICRO INCH GOLD PLATING ON CONTACT AREA	

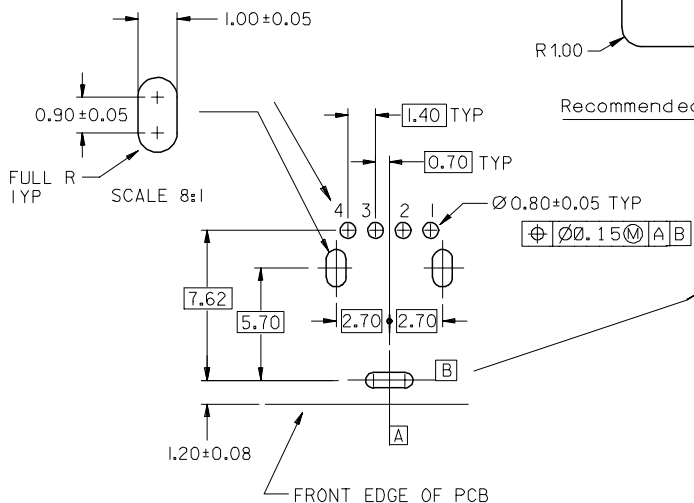
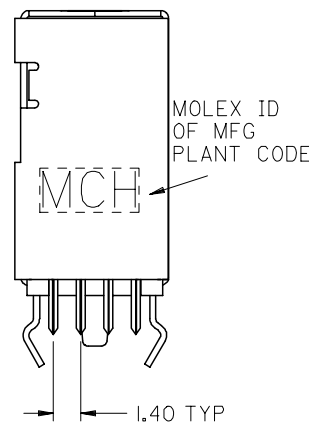
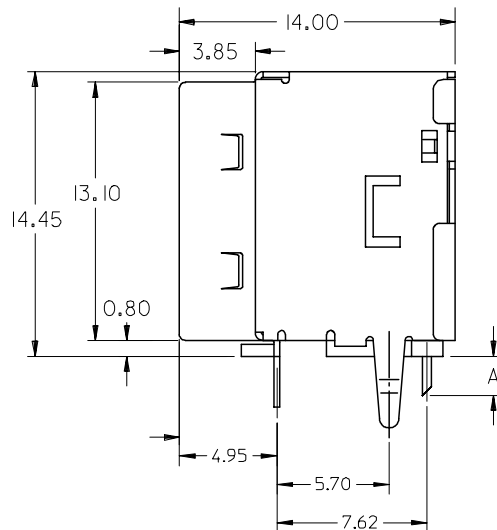
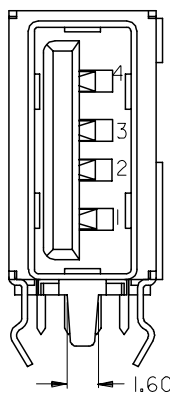
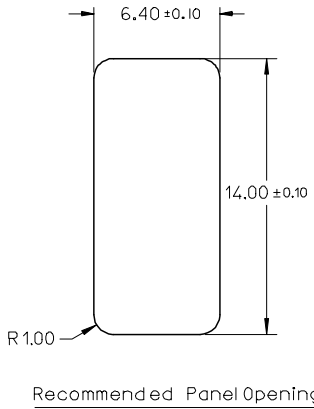
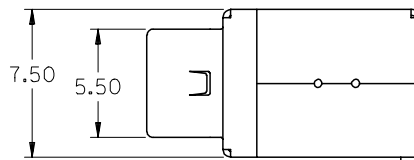
NEW RELEASE EC NO. DAVID HU 2004/10/28 CHK: APPR:	DESCRIPTION MAJOR = 0 CRITICAL = 0 C = 0	GENERAL TOLERANCES: (UNLESS SPECIFIED)		SCALE 4 : 1	DESIGN UNITS <input checked="" type="checkbox"/> mm <input type="checkbox"/> INCH	THIRD ANGLE PROJECTION <input type="checkbox"/> mm <input checked="" type="checkbox"/> INCH	DIMENSIONS: <input type="checkbox"/> mm <input type="checkbox"/> INCH <input checked="" type="checkbox"/> mm ONLY	SHT	REV
		4 PLACES ± .	± .	DRAWN BY & DATE DAVID HU 2004/10/28		TITLE: USB A UPRIGHT 89485 WITH MYLAR BY TUBE PACKAGE (LEAD-FREE)			
		3 PLACES ± .	± .	CHECKED BY & DATE		APPROVED BY & DATE			
		2 PLACES ±0.25	±0.10	ANGULAR: ±3°		CAD FILENAME S8948503.S02	MATERIAL NO. SEE TABLE	DRAWING NO. SD-89485-003	SHEET NO. 2
DRAFT WHERE APPLICABLE MUST REMAIN WITHIN DIMENSIONS		THIS DRAWING CONTAINS INFORMATION THAT IS PROPRIETARY TO MOLEX INCORPORATED AND SHOULD NOT BE USED WITHOUT WRITTEN PERMISSION.							

DIMENSION*A*	P/N	PLATING	TERMINAL CONTACT PLATING	TERMINAL SOLDER PLATING	METAL SHELL PLATING
2.00 +0.35 -0.15	89485-8000	SEE NOTES(a)+(d)	GOLD FLASH	75 MICRO INCH BRIGHT TIN	100 MICRO INCH BRIGHT TIN
	89485-8001	SEE NOTES(b)+(d)	30 MICRO INCH GOLD		
2.00 +0.35 -0.10	89485-8002	SEE NOTES(a)+(d)	GOLD FLASH	75 MICRO INCH MATTE TIN	100 MICRO INCH MATTE TIN
	89485-8003	SEE NOTES(b)+(d)	30 MICRO INCH GOLD		
∇ B	89485-8012	SEE NOTES(c)+(e)	GOLD FLASH		

NOTE:
 1.MATERIAL:
 HOUSING:HIGH TEMPERATURE NYLON,GLASS FIBRE FILLED,UL94-V0,COLOR:BLACK
 TERMINAL:PHOSPHOR BRONZE
 METAL SHELL:DEEP DRAWN STEEL

2.PLATING:
 TERMINAL:
 (a)GOLD FLASH ON THE CONTACT AREA,AND 75MICROINCH MINIMUM PURE TIN ON SOLDER TAIL, UNDER 50MICROINCH MINIMUM Ni PLATE.
 (b)30MICROINCH MINIMUM GOLD(Au) ON THE CONTACT AREA, AND 75MICROINCH MINIMUM PURE TIN ON SOLDER TAIL,UNDER 50MICROINCH MINIMUM Ni UNDER PLATE.
 (c)GOLD FLASH ON THE CONTACT AREA,AND 75MICROINCH MINIMUM MATTE TIN ON SOLDER TAIL,UNDER 50MICROINCH MINIMUM Ni PLATE.
 METAL SHELL:
 (d)100MICROINCH MINIMUM BRIGHT TIN ON THE METAL SHELL,AND 50MICROINCH MINIMUM Ni AND 100MICROINCH MINIMUM Cu PLATE.
 (e)100MICROINCH MINIMUM MATTE TIN ON THE METAL SHELL,AND 50MICROINCH MINIMUM Ni AND 100MICROINCH MINIMUM Cu PLATE.

3.RECOMMENDED PCB THICKNESS:1.60 ±0.05mm
 4.PRODUCT SPECIFICATION:REFER TO PS-89485
 5.TRAY PACKAGING SPECIFICATION REFER TO:PK-89485-002
 TUBE PACKAGING SPECIFICATION REFER TO:PK-89485-001
 TUBE PACKAGING P/N,PLEASE REFER TO:SHEET2,3



REVISED	EC NO: SH2007-0468	2007/01/19
	DRWN:HYE01	2007/01/19
	CHKD:WANG	2007/01/19
	APPR:JNCHEN	2007/01/26

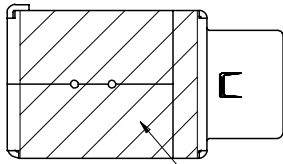
QUALITY SYMBOLS	∇ =0
	∇ C=0

GENERAL TOLERANCES (UNLESS SPECIFIED)	mm	INCH
	4 PLACES ± ---	± ---
	3 PLACES ± ---	± ---
	2 PLACES ± 0.25	± .010
	1 PLACE ± 0.25	± .010
	ANGULAR ± 3 °	
DRAFT WHERE APPLICABLE MUST REMAIN WITHIN DIMENSIONS		

DIMENSION STYLE		SCALE	DESIGN UNITS	THIRD ANGLE PROJECTION
MM ONLY		4:1	METRIC	
DRAWN BY	DATE	TITLE	SINGLE PORT UP-RIGHT USB CONNECTOR LEAD-FREE	
DAVID HU				
CHECKED BY	DATE	MOLEX INCORPORATED		
APPROVED BY	DATE	SD-89485-003		
MATERIAL NO.	DOCUMENT NO.	SHEET NO.		
		1 OF 3		

SIZE	THIS DRAWING CONTAINS INFORMATION THAT IS PROPRIETARY TO MOLEX INCORPORATED AND SHOULD NOT BE USED WITHOUT WRITTEN PERMISSION		
A3			

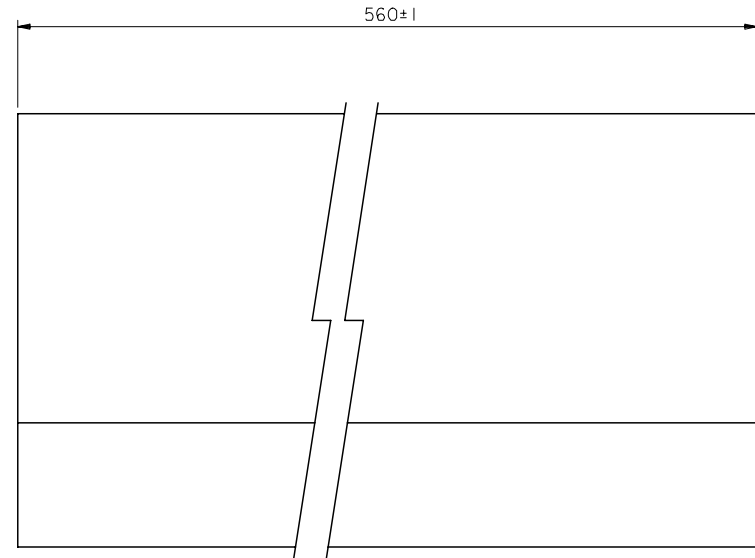
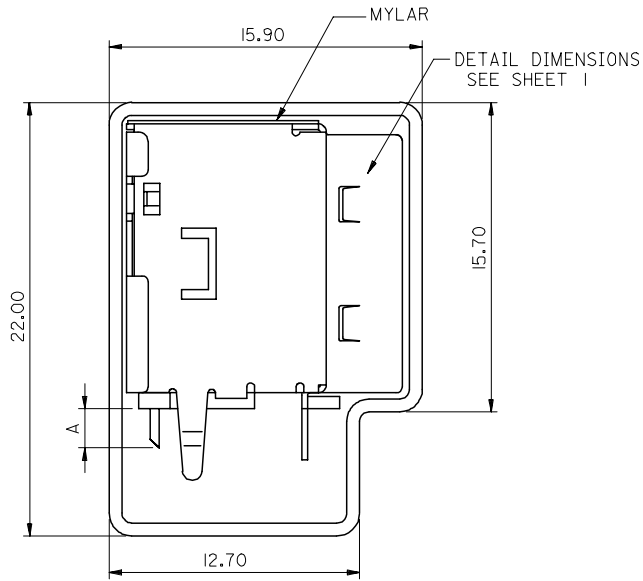
10 9 8 7 6 5 4 3 2 1



MYLAR AREA

NOTE:

1. DETAIL DIMENSIONS, PLEASE REFER TO SHEET 1 OF SD-89485-003
2. THE TUBE PACKAGE INCLUDE TWO PLUGS ON RIGHT AND LEFT SIDES.
3. TUBE PACKAGING SPECIFICATION REFER TO: PK-89485-001



PART NUMBER LEGEND:

P/N FOR TUBE PACKING AND MYLAR ADDITION			
MATERIAL NUMBER	DIMENSION 'A'	PLATING SPECIFICATION	
WITH MYLAR	2.00 ^{+0.35} / _{-0.15}	GOLD FLASH PLATING ON CONTACT AREA	
		30 MICRO INCH GOLD PLATING ON CONTACT AREA	
WITH MYLAR	2.50 ^{+0.35} / _{-0.10}	GOLD FLASH PLATING ON CONTACT AREA	
		30 MICRO INCH GOLD PLATING ON CONTACT AREA	

REVISED	EC NO: SH2007-0468	2007/01/19
	DRWN:HYE01	2007/01/19
	CHKD:WANG	2007/01/19
	APPR:JNCHEN	2007/01/26

QUALITY SYMBOLS	DESCRIPTION
▽=0	
▽C=0	

GENERAL TOLERANCES (UNLESS SPECIFIED)	
mm	INCH
4 PLACES ± ---	± ---
3 PLACES ± ---	± ---
2 PLACES ± 0.25	± .010
1 PLACE ± 0.25	± .010
ANGULAR ± 3 °	
DRAFT WHERE APPLICABLE MUST REMAIN WITHIN DIMENSIONS	

DIMENSION STYLE	
MM ONLY	
DRAWN BY	DATE
DAVID HU	
CHECKED BY	DATE
APPROVED BY	DATE
MATERIAL NO.	DATE
SEE TABLE	

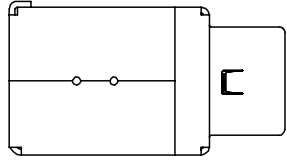
SCALE	DESIGN UNITS	THIRD ANGLE PROJECTION	
4:1	METRIC		
TITLE		SINGLE PORT UP-RIGHT USB CONNECTOR LEAD-FREE	
MOLEX INCORPORATED		MOLEX INCORPORATED	
DOCUMENT NO.		SD-89485-003	
SHEET NO.		2 OF 3	

9 8 7 6 5 4 3 2 1

10 9 8 7 6 5 4 3 2 1

F

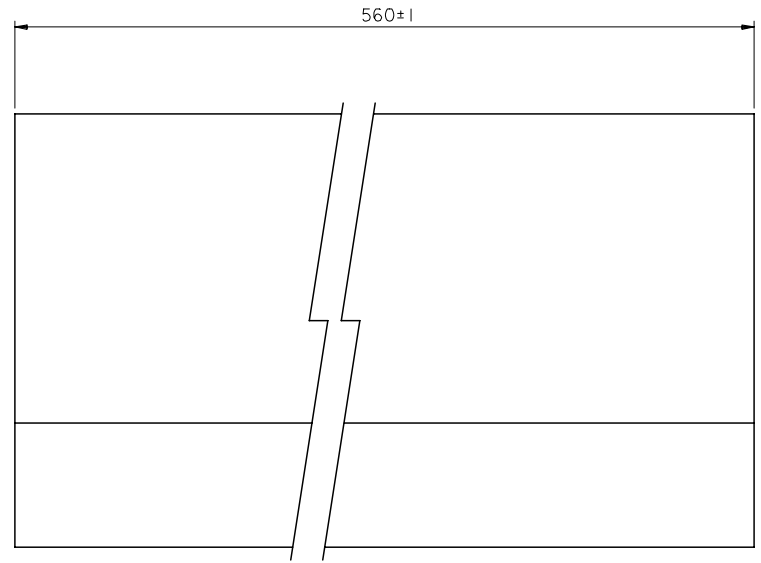
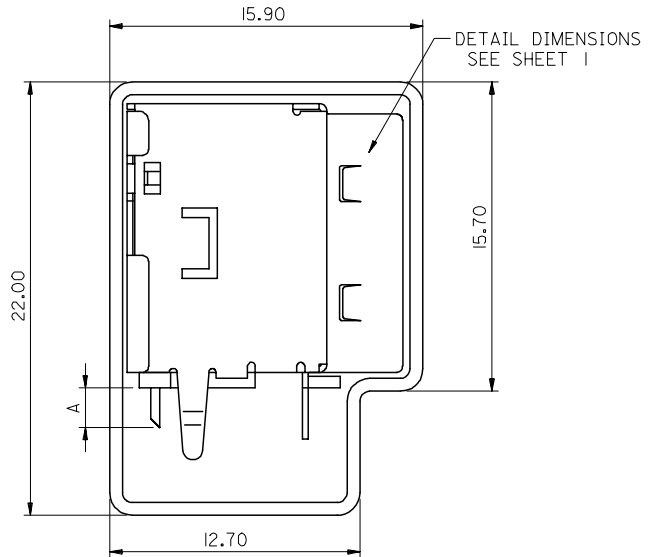
F



NOTE:
 1.DETAIL DIMENSIONS , PLEASE REFER TO SHEET 1 OF SD-89485-003
 2.THE TUBE PACKAGE INCLUDE TWO PLUGS ON RIGHT AND LEFT SIDES.
 3.TUBE PACKAGING SPECIFICATION REFER TO: PK-89485-001

E

E



D

D

C

C

B

B

PART NUMBER LEGEND:

P/N FOR TUBE PACKING			
MATERIAL NUMBER	DIMENSION *A	PLATING SPECIFICATION	
WITHOUT MYLAR	2.00 ^{+0.35} _{-0.15}	GOLD FLASH PLATING ON CONTACT AREA	
		30 MICRO INCH GOLD PLATING ON CONTACT AREA	
89485-8202	2.50 ^{+0.35} _{-0.10}	GOLD FLASH PLATING ON CONTACT AREA	
		30 MICRO INCH GOLD PLATING ON CONTACT AREA	

REVISED	EC NO: SH2007-0468
DRWN:HYE01	2007/01/19
CHKD:WANG	2007/01/19
APPR:JNCHEN	2007/01/26

QUALITY SYMBOLS	DESCRIPTION
▽=0	
▽C=0	

GENERAL TOLERANCES (UNLESS SPECIFIED)	
	MM ONLY
4 PLACES	± .010
3 PLACES	± .020
2 PLACES	± 0.25
1 PLACE	± 0.25
ANGULAR ± 3 °	
DRAFT WHERE APPLICABLE MUST REMAIN WITHIN DIMENSIONS	

DIMENSION STYLE	
MM ONLY	
DRAWN BY	DATE
CHECKED BY	DATE
APPROVED BY	DATE
MATERIAL NO.	
SEE TABLE	
SIZE	A3

SCALE	4:1	DESIGN UNITS	METRIC	THIRD ANGLE PROJECTION
TITLE				
SINGLE PORT UP-RIGHT USB CONNECTOR LEAD-FREE				
MOLEX INCORPORATED				
DOCUMENT NO.				SHEET NO.
SD-89485-003				3 OF 3
THIS DRAWING CONTAINS INFORMATION THAT IS PROPRIETARY TO MOLEX INCORPORATED AND SHOULD NOT BE USED WITHOUT WRITTEN PERMISSION				

9 8 7 6 5 4 3 2 1