

Plastic level sensors

KLS26-MR0825-P Plastic level sensor

Material:

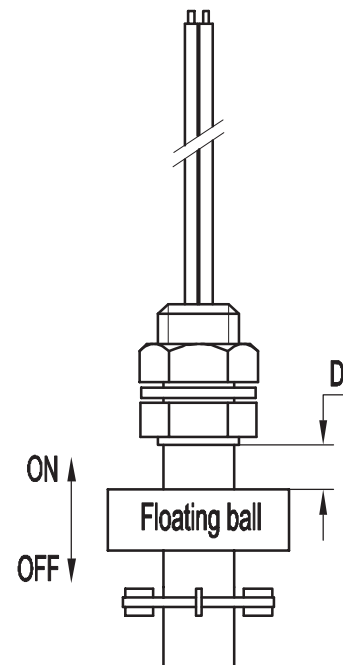
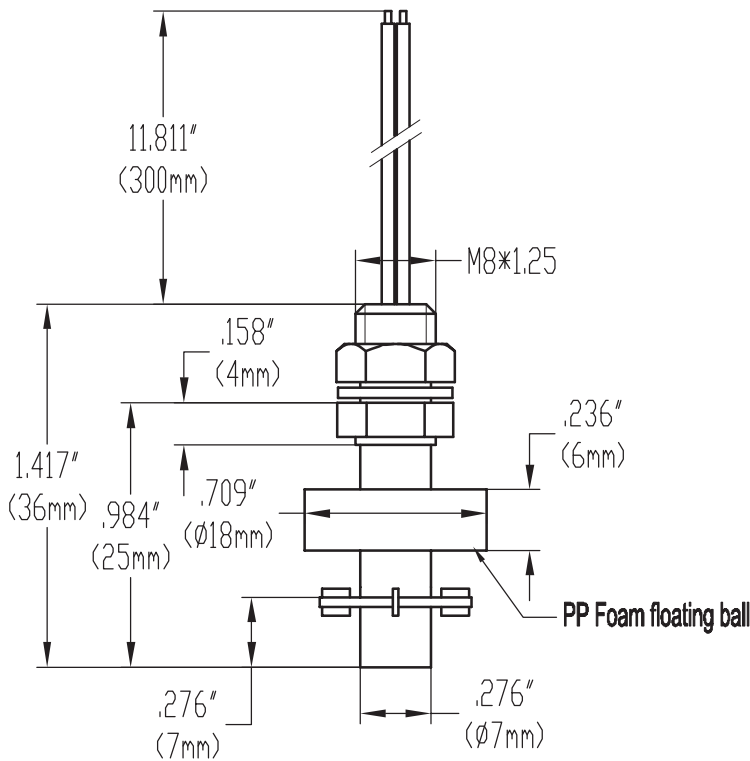
- Float ball:PP
- Float body:POM
- Cap nut:POM
- O-ring:Rubber
- E-ring:POM
- Wire:UL 1007 24# black
- Filling:epoxy glue
- Reed switch:324

Electrical Specification:

- Contact rating:10W
- Max switching current:DC100/AC100
- Breakdown voltage:150 min
- Max switching voltage:DC0.5
- Max carry current:1.0A
- Contact resistance:100 max
- Insulation resistance:10¹⁰ min
- Get an electric shock life:10⁷
- Applicable temperature:-10°C~+85°C



Movement explanation



Movement explanation:
When the float up to the D position in the position between D=3±1mm, the reed switches will be closed.

ORDER INFORMATION

Product NO.: KLS26-MR0825-P

