



NCR INDUSTRIAL

SPECIFICATION

Item No.:

MCT703-1
1:2500T
0.10%

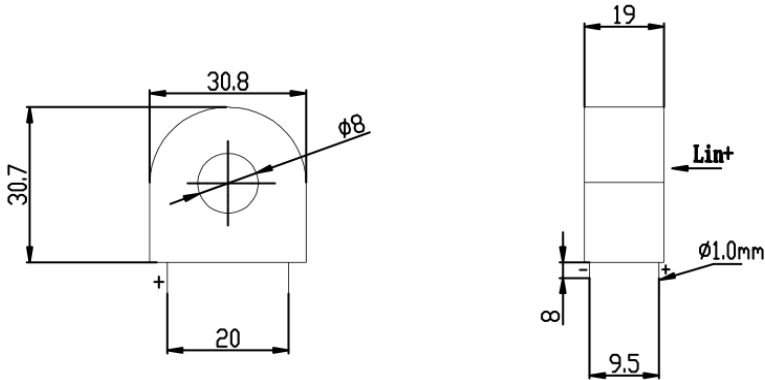
Customer:

Current Transformer

Dated:

20.06.2019

Dimensions (mm)



Production Feature

- ◆ Used as a current sensing device for utility energy meter;
- ◆ Moisture-proof and vibration-resistant;
- ◆ Encapsulation by epoxy resin, with high insulation ability;
- ◆ Casing by flame retardant PBT;
- ◆ DC-immunity version (IEC62053-21 standard).

Ordering information

Rated primary current	Max.primary current	Rated secondary current	Turn ratio	Load resistance	Accuracy
I_p (A)	I_{max} (A)	I_s (mA)	N	R_b	(%)
10	100	4	1:2500	10 Ω	0.1

Technical parameters

Working temperature	-25 $^{\circ}\text{C}$ ~+70 $^{\circ}\text{C}$
Relative humidity	$\leq 95\%$
Dielectric strength (primary vs secondary)	$\geq 4000\text{V}$ (1 min.)
Insulation resistance	$\geq 50\text{M}\Omega$

Accuracy Class	Ratio Error ($\pm\%$)		Phase Error (\pm')						
	0.01 I_n	$\geq 0.05I_n$	0.01 I_n	0.05 I_n	0.2 I_n	1 I_n	2 I_n	3 I_n	I_{max}
0.1	0.002	0.001	8	7.5	7	5	4	4	4

Remark: Ambient temperature: 10 $^{\circ}\text{C}$ ~30 $^{\circ}\text{C}$