

# PROXIMITY INDUCTIVE 30DZ

**Model:LJ30A3-15-J/DZ**

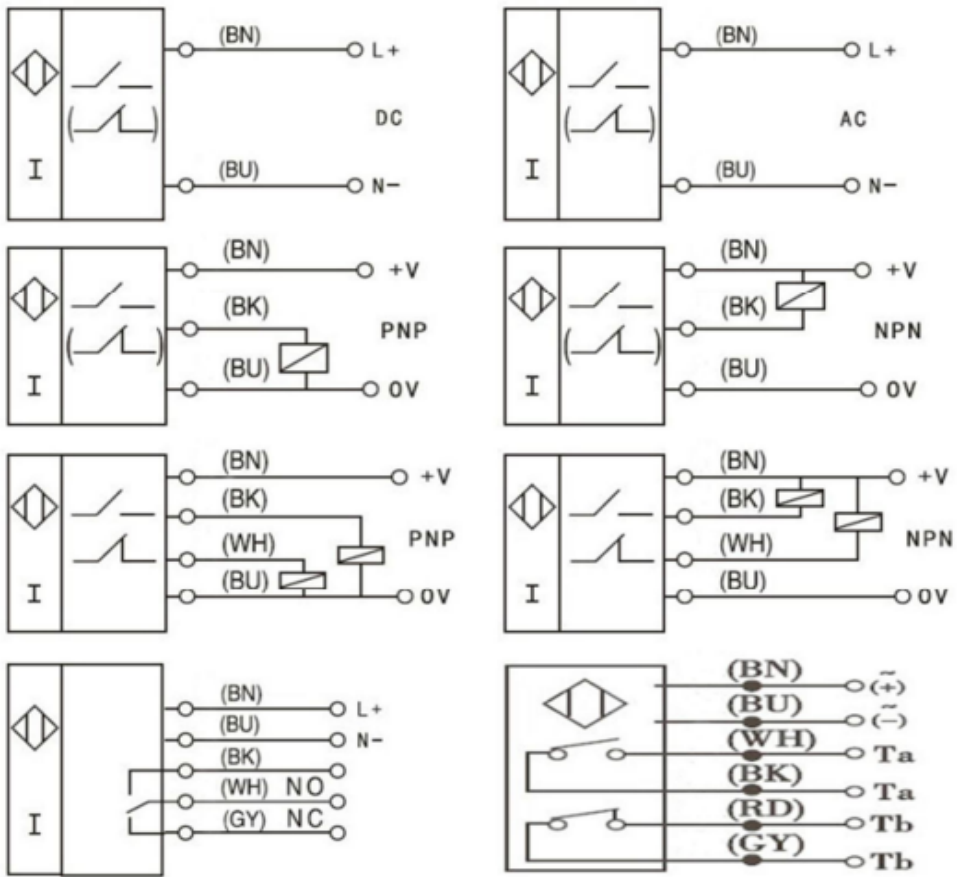


## **Specifications:**

Product Name	Inductive Proximity Switch
Model	LJ30A3-15-J/DZ
Theory	Inductive Sensor
Wire Type	2 Wire Type (Brown, Blue)
Switch Appearance Type	Cylinder Type, Metal Shell
Output Type	NC (Normal Close)
Detection Distance	15mm +/- 10%
Electrical Voltage	36V AC
Set Distance	0~13mm
Output Current (max)	400mA
Detect objects	Iron
Standard Detection Object	Iron 54x54x1mm
Response Frequency	DC 0.5kHz , AC 25Hz
Column Sensor Diameter	30mm
Thread Diameter	30mm
External Dimensions	M30x70
Cable Length	1m
External Material	Plastic, Metal

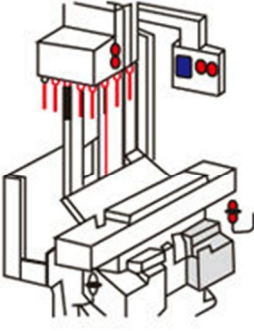
<b>Dimension</b>		<b>M30</b>		
<b>Detection Distance</b>		<b>15mm</b>		
<b>Dimensional Drawing</b>				
<b>Model</b>	<b>DC Type</b>	<b>NPN</b>	<b>NO</b>	<b>LJ30A3-15-Z/BX</b>
			<b>NC</b>	<b>LJ30A3-15-Z/AX</b>
			<b>NO+NC</b>	<b>LJ30A3-15-Z/CX</b>
		<b>PNP</b>	<b>NO</b>	<b>LJ30A3-15-Z/BY</b>
			<b>NC</b>	<b>LJ30A3-15-Z/AY</b>
			<b>NO+NC</b>	<b>LJ30A3-15-Z/CY</b>
	<b>Two-wire</b>	<b>NO</b>	<b>LJ30A3-15-Z/EX</b>	
		<b>NC</b>	<b>LJ30A3-15-Z/DX</b>	
	<b>AC Type</b>	<b>Two-wire</b>	<b>NO</b>	<b>LJ30A3-15-J/EZ</b>
			<b>NC</b>	<b>LJ30A3-15-J/DZ</b>
<b>Three-wire</b>		<b>NO+NC</b>	<b>LJ30A3-15-J/EDZ</b>	

**Installation:**



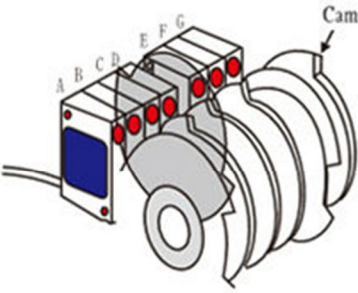
**Applications legend:**

1、Various position detection in machining centre



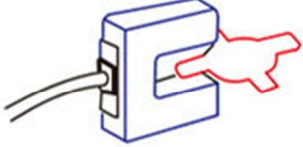
Cylindrical type proximity switch

2、Action sequence cam detection



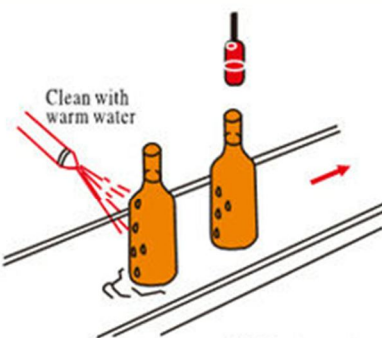
Flat type proximity switch

3、Pulser



Slot type proximity switch

4、Bottle cap detection

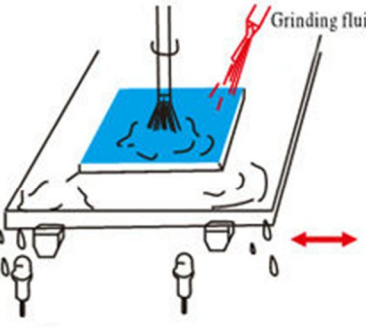


Clean with warm water

Multi-temperature environment

Water-proof type proximity switch

5、Grinder stop detection

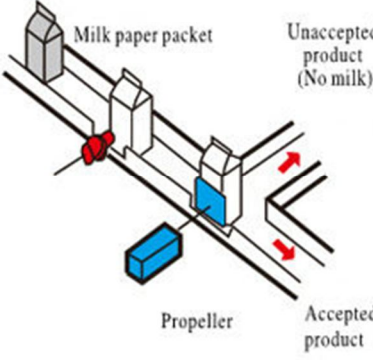


Grinding fluid

Stop

Water-proof type proximity switch

6、Detect whether there is milk inside the paper packet



Milk paper packet

Unaccepted product (No milk)

Propeller

Accepted product

Capacitive type proximity switch

Made in China