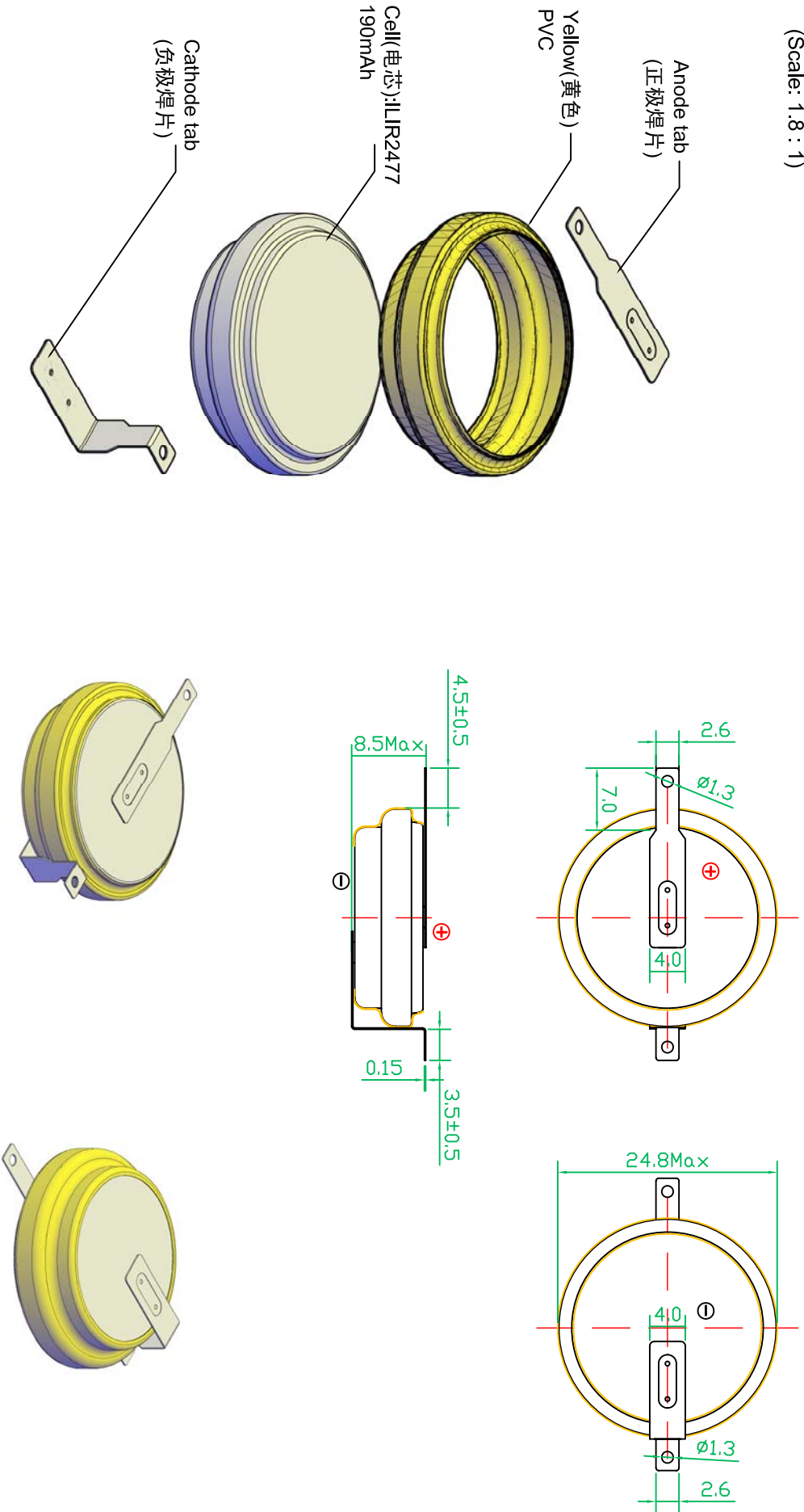




(Scale: 1.8 : 1)



4	ROHS Compliant / 严格按照ROHS要求生产	 EEMB BATTERY		Drawn:	Moyogndi	Revise No.:	E4-2009	
3	Cathode tab / 负极焊片			Stainless steel plated with nickel / 不锈钢镀镍	Checked 1:	Jane	Projection:	
2	Anode tab / 正极焊片			Stainless steel plated with nickel / 不锈钢镀镍	Checked 2:	Keyan	Page:	1/1
1	Cell / 电芯			Button, Yellow PVC, with date code 扣式, 包黄色PVC, 电芯表面喷码	Approved:		Scale:	1.5: 1
NO.	Parts	Description	File NO.	A00269	Draw Date:	09/12/09	Unit:	mm