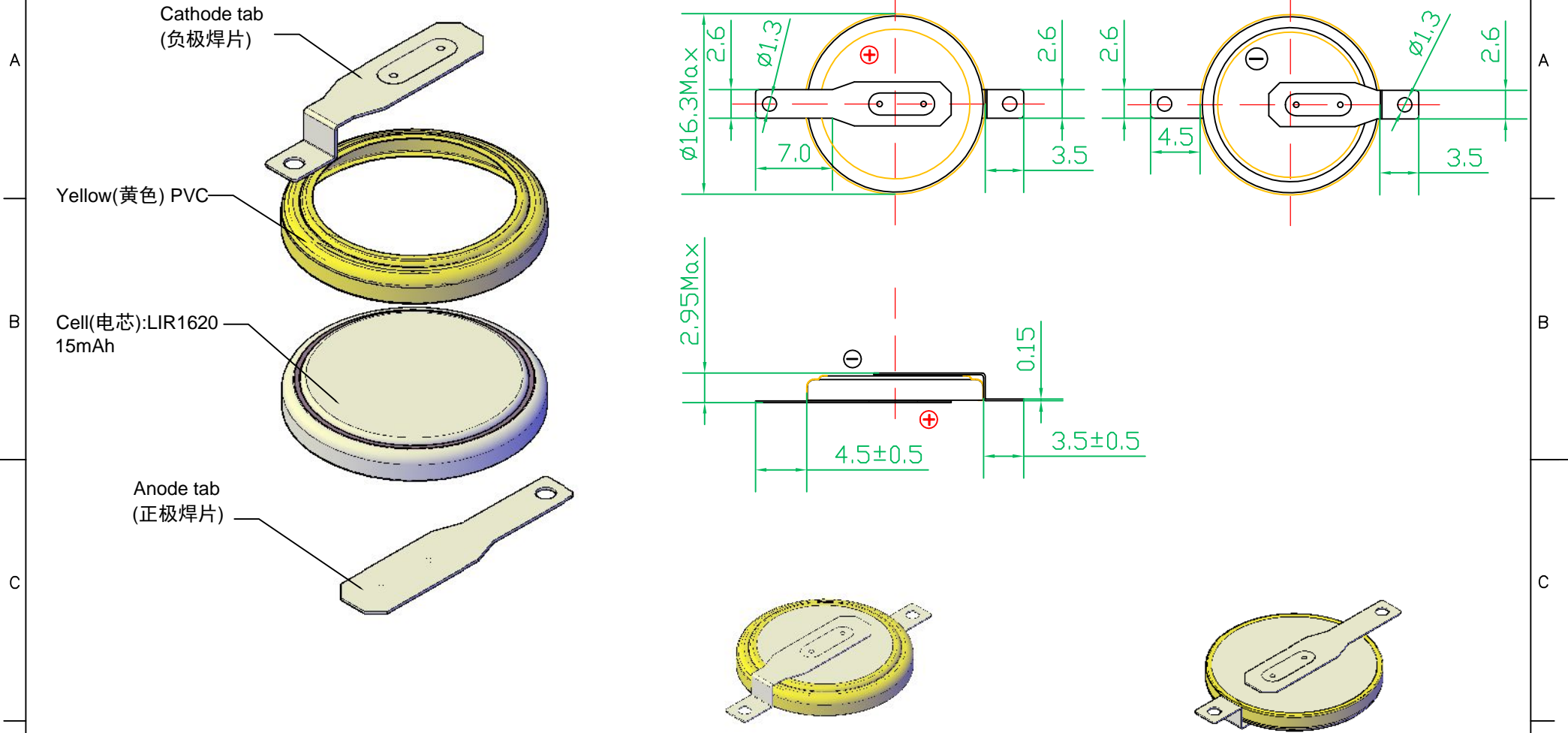


(Scale: 3 : 1)



4	ROHS Compliant / 严格按照ROHS要求生产			Drawn:	Moyongdi	Revise No.:	E4-2009
3	Cathode tab / 负极焊片	Stainless steel plated with nickel / 不锈钢镀镍		Checked 1:	Jane	Projection:	
2	Anode tab / 正极焊片	Stainless steel plated with nickel / 不锈钢镀镍		Checked 2:	Keyan	Page:	1/1
1	Cell / 电芯	Button, Yellow PVC, with date code 扣式, 包黄色PVC, 电芯表面喷码	Title	LIR1620-LBY2	Approved:	Scale:	2: 1
NO.	Parts	Description	File NO.	A00066	Draw Date:	09/12/28	Unit: mm